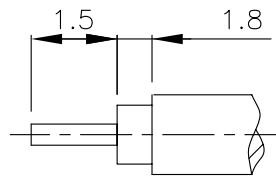
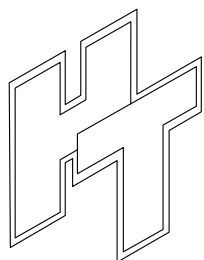
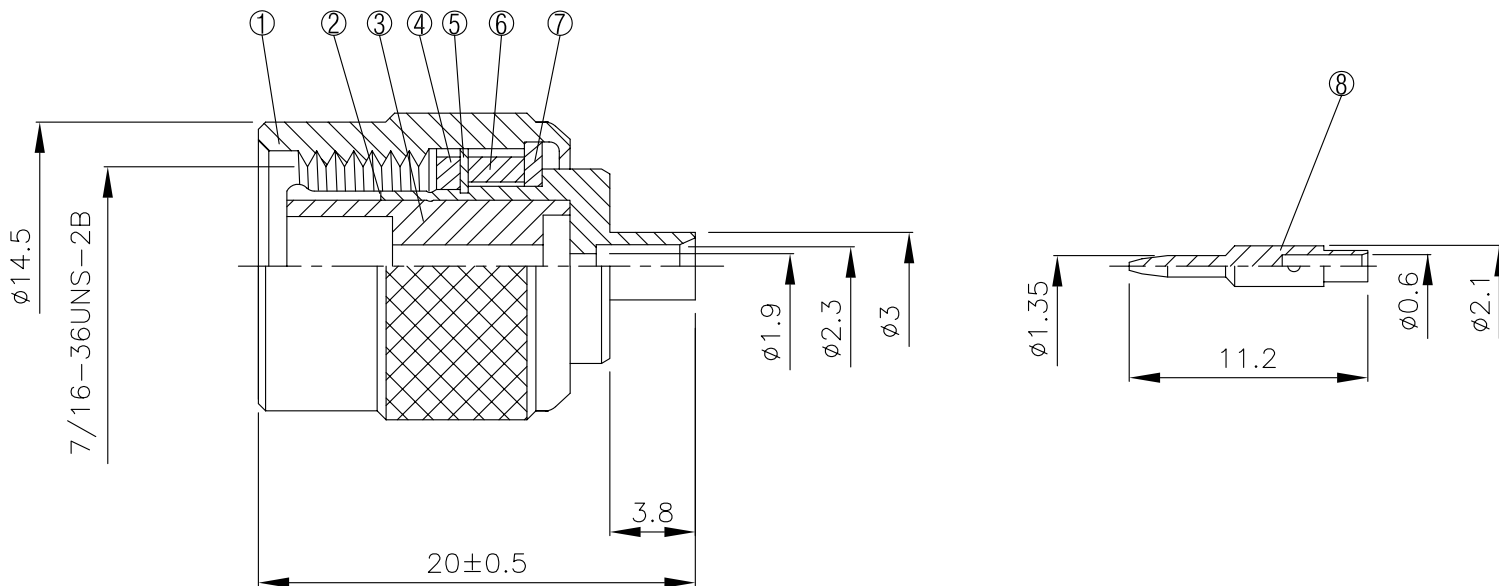
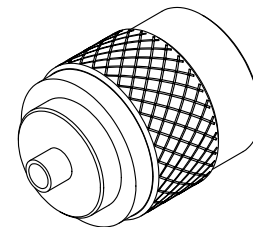


NO	DESCRIPTION	MATERIAL	Q'TY	FINISH	REMARK
1	SHELL	BRASS	1	NICKEL	B-TNC0083-N
2	BODY 1	BRASS	1	NICKEL	
3	INSULATION	TEFLON	1	TEFLON	I-0172T
4	GASKET	RUBBER	1	RUBBER	RU-0010
5	WASHER	BRASS	1	NICKEL	W-0026-N
6	SPRING	BRASS	1	NICKEL	W-0024-N
7	WASHER	BRASS	1	NICKEL	W-0025-N
8	PIN	BRASS	1	GOLD	



(Recommended Stripping Dimension)



HUS-TSAN GROUP CO., LTD.

P.O.BOX 40-76.TAINAN.TAIWAN,R.O.C.

TITLE TNC MALE SOLDER FOR
RG 405 (.085)

PART NO. TNC-05V1-TGN

DRAWING NO. TNC 05V1 TGN

DRAWN MARY DATE 96.06.20

CHECKED 蘇志欣 DATE

Q.A. 蘇姿潔 DATE

APPROVAL 徐燦霖 DATE

REVISION DATE

DIMENSIONS ARE IN MILLIMETERS

UNLESS OTHERWISE SPECIFIED
TOLERANCE

0.5-5=±0.2	120-315=±1
5-30=±0.4	315-1000=±1.6
30-120=±0.6	1000-2000=±2.4

SCALE 4:1 SIZE A

REVISION

DESCRIPTION	ENGINEER