

NOTES: (UNLESS OTHERWISE SPECIFIED)

1. The part should meet TW restriction of hazardous substances

(此产品须符合Topway有害物质限制/产品须符合无卤)

2. material(材质): AL6063+阳极黑色, 毛边小于0.05MM

3. unspacificatiopn dimension please refer 3D design, unspacificatiopn tolerance please refer tolerance table

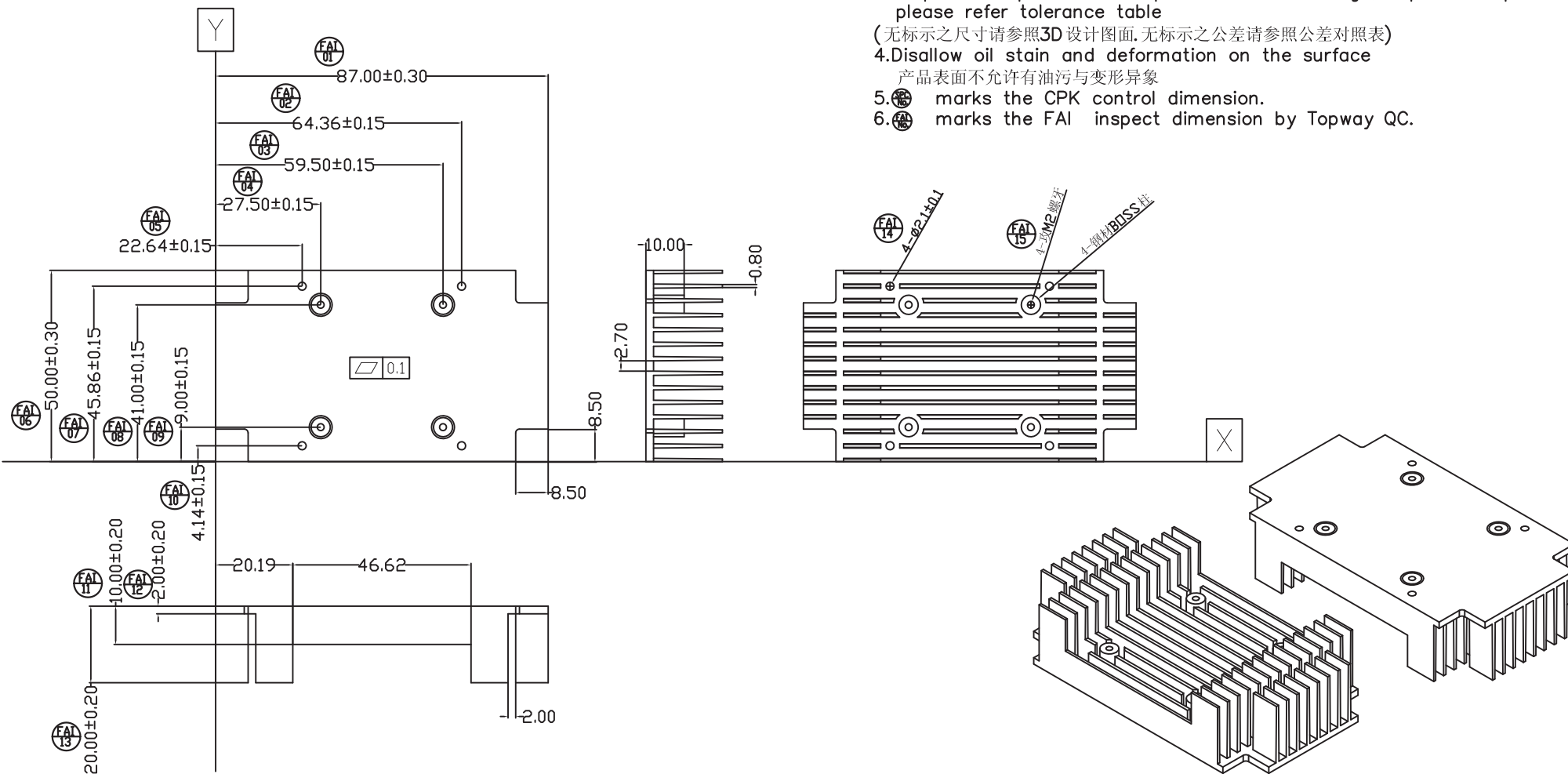
(无标示之尺寸请参照3D设计图面, 无标示之公差请参照公差对照表)

4. Disallow oil stain and deformation on the surface

产品表面不允许有油污与变形异象

5. marks the CPK control dimension.

6. marks the FAI inspect dimension by Topway QC.



比例: 1: 1

	1.0	初版发行	毕训伟	20171225
MARK 记號	ECN-NO. 變更號碼	REVISIONS 設變內容	REV. DRAWN 制/修訂者	DATE 日期

 昆山鼎纬电子有限公司 Topway Electronics Co., Ltd Material/Notes 材質/備註 AL6063 Finish/Plated 表面處理 /電鍍厚度 阳极黑色	UNLESS OTHERWISE SPECIFIED TOLERANCE Dimension Range   Tolerance 10 未満 UNDER   ±0.20 10 以上 30 未満 OVER   ±0.25 30 以上 OVER   ±0.30 ANGLE   ±5°		SCALE 比例 1/1 UNIT 單位 mm SIZE 圖紙 A4	CHECKED 審核 APPROVED 承認 SHEET 頁次/數 1/1
	TITLE 產品名稱 TX1-SINK			PART NO. 產品料號 DWG. NO. 檔案編號
				REV. 版本 A.0

## 1.0 SCOPE

THESE SPECIFICATIONS SHALL BE APPLIED TO THE D.C. BRUSHLESS FAN, MODEL CHA4005CB-P MANUFACTURED BY CHENG HOME ELECTRONICS CO., LTD.

### 1.1 STANDARD ENVIRONMENTAL CONDITIONS

Temperature 25°C and relative humidity 60% shall be the standard if no doubt arises in the judgment. However, it is permitted that tests are conducted in the environment of temperature 5~35°C, relative humidity 45 ~ 85%.

## 2.0 ELECTRICAL CHARACTERISTICS

Item	Description
Rated voltage(VDC)	5.0VDC
Operating voltage(VDC)	4.0 – 5.5 V
Rated current (A)	0.060 (MAX: 0.070A)
Rated input (WATTS)	0.3 (MAX: 0.35 W)
Rated speed (rpm)	5000±15%
Min. start up voltage (VDC)	DUTY30%
MAX. air flow (at zero static pressure)	0.174 (M <sup>3</sup> /Min) 5.6(CFM)
MAX. Static pressure ( at zero airflow)	3.55 (mmH <sub>2</sub> O) 0.14 (Inch- mmH <sub>2</sub> O)
Acoustic Noise (dB-A)@100cm	22 (MAX: 26)
Motor Protection	Auto restart
Life expectancy	70000 Hours(MTBF) at 45°C 60%
Operating temperature (°C)	-10 ~ +70(°C)
Storage temperature(°C)	-40 ~ +70(°C)
Insulation strength	10 MEG OHM MIN. AT 500 VDC (BETWEEN FRAME AND (+) TERMINAL)
Dielectric strength	5 mA MAX.AT 500 VAC 60 Hz ONE MINUTE , (BETWEEN FRAME AND (+) TERMINAL)
Insulation class	UL : Class A
Green Product	According to RoHS Control Procedure

千鴻電子股份有限公司  
CHENG HOME ELECTRONICS CO,LTD

昆山鼎緯電子有限公司  
KUNSHAN TOPWAY ELECTRONICS CO.LTD

MODEL	CHA4005CB-P	SPEC NO		ISSUE DATE	2017.12.27	PAGE	3 OF 10
-------	-------------	---------	--	------------	------------	------	---------