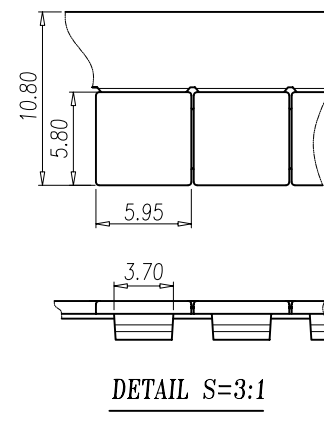
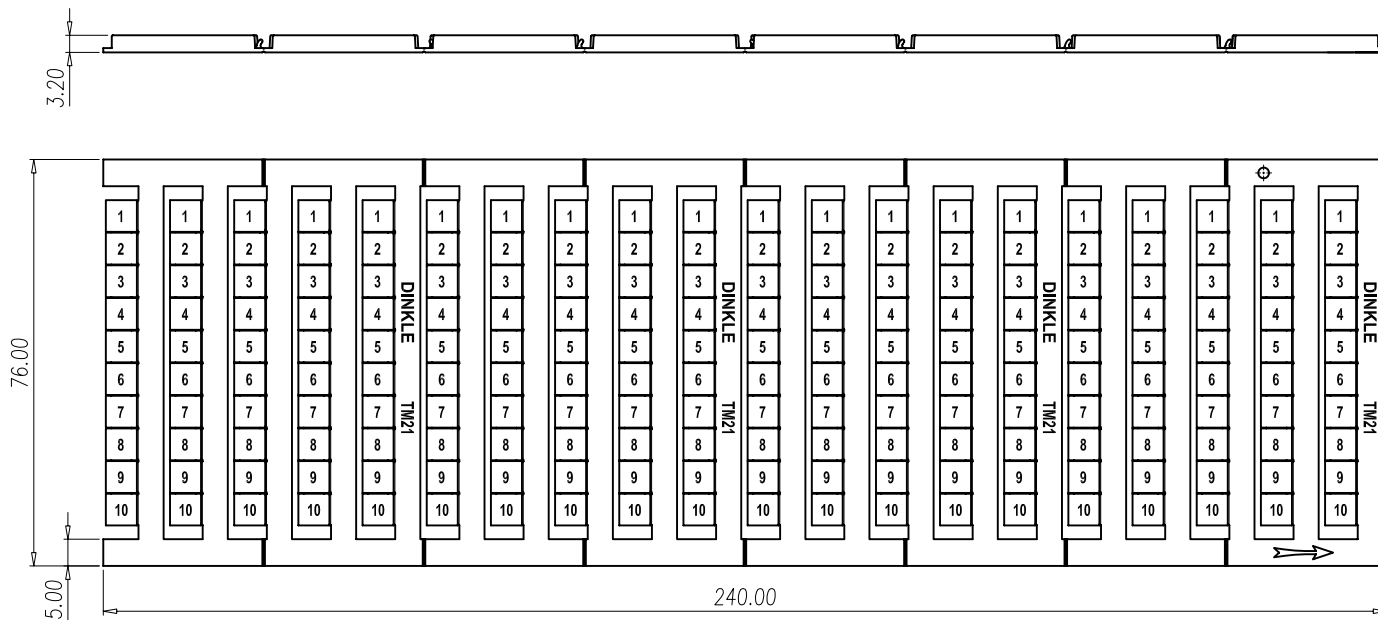


Normal Geometric Tolerancing			
—	//	≡	⊥
0 to 100	0.2	0.3	0 to 10
over 100 to 150	0.3		over 10
over 150	0.5		0.3
Total Pitch Tolerances		Normal dimension Tolerances	
0<U<=30	±0.20	0~30	±0.25
30<U<=53	±0.25	over 30~53	±0.30
53<U<=70	±0.30	over 53~70	±0.35
70<U<=90	±0.35	over 70~90	±0.44
90<U<=115	±0.44	over 90~115	±0.55
115<U<=150	±0.55	over 115~150	±0.70
150<U<=200	±0.70	over 150~200	±0.85
200<U<=250	±0.85	over 200~250	±1.00
250<U<=320	±1.00	over 250~320	±1.20



NOTES:

1. RoHS Compliance
2. 印字字体: DIN-1451 正体, 颜色: 黑色, 字高: 2.2, 宽度比例: 0.8, 笔径: 0.25

	MARK	PA66	UL94-V2 WHITE
ITEM	NAME OF PART	MATERIAL	NOTES

DWG.	ZYJ	DATE	11.02.17	UNITS	MM	SHEET/OF	1 / 2
CHK.		DATE		SCALE	1:1 ( : )		
APP.		DATE					

	DINKLE			NAME	TM21W-FV01
	REV.	CONTENT	CHK.	DATE	DWG NO. SP-03-TM21FV01