

Recommended P.C.B. Layout(Top Side)
(PCB Board Tolerance±0.05)

SPECIFICATION
1.General Characteristics
 T-Flash Connector 08 Pin SMT 90°
 Standoff=0 Normal Type Hinge Type Selective Gold Plated XXu" Tape & Reel 1000 PCS/Reel
2.Material&Finish
 Insulator:LCP+30%G.F.(UL94V-0),Black
 Contact:C5191
 Shell:SUS304,No Plated
 Solder Pad:C5191,Gold Flash On Front Solder Tails(2 PLC),Tin Plated On Back Solder Tails(2 PLC),Over Nickel
3.Electrical Characteristics
 Current Rating:0.5A
 Voltage Rating:100V
 Contact Resistance:100 Milliohms Max.
 Insulation Resistance:1000 Megohms Min.
4.Environmental Characteristics
 Operation Temperature:-20°C~+85°C
5.RoHS Compliant

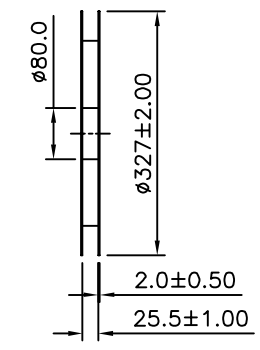
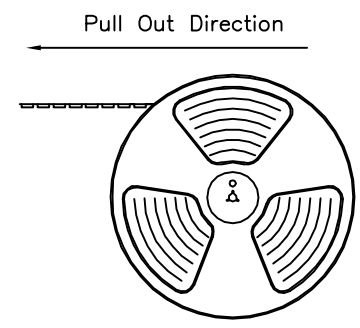
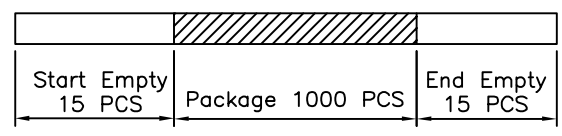
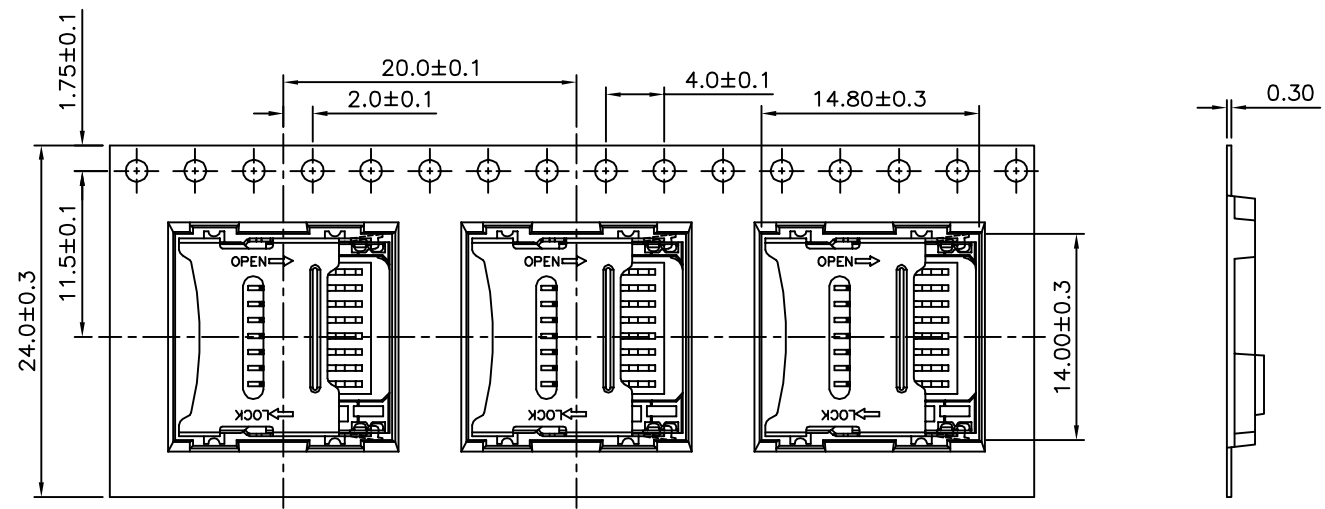
- TFC 08 W 0 1 - HC - SXX - R1K - H
 (1) (2) (3) (4) (5) (6) (7) (8) (9)
- (1) TFC:T-Flash Connector
 - (2) 08:No. Of Position
 - (3) W:SMT Right Angle
 - (4) 0:Standoff 0mm
 - (5) 1:Normal Type
 - (6) HC:Hinge Type
 - (7) SXX>Contact Finish
Blank:Gold Flash On Contact Area,Tin Plated On Solder Tails,Over Nickel
 - (8) R1K:Tape & Reel 1000 PCS/Reel
 - (9) H:RoHS Compliant

| Memory Card Pin Assianment | | | |
|----------------------------|----------|--------|------------------------------|
| Pin No. | Name | Type | Description |
| 1 | DAT 2 | I/O/PP | Date Line(Bit 2) |
| 2 | CD/DAT 3 | I/O/PP | Card Detect/Date Line(Bit 3) |
| 3 | CMD | PP | Command Response |
| 4 | VDD | S | Supply Voltage |
| 5 | CLK | I | Colck |
| 6 | VSS | S | Supply Voltage Ground |
| 7 | DAT0 | I/O/PP | Date Line(Bit 0) |
| 8 | DAT1 | I/O/PP | Date Line(Bit 1) |

| | | | | |
|--------------------------------------|----|-------------|--|---|
| CATEGORY | | APPROVED BY | | UNLESS OTHERWISE SPECIFIED TOLERANCES ARE X. ±0.50 X.* ±5° .X ±0.25 .X.* ±2° .XX ±0.15 .XX.* ±1° |
| PART No. TFC08W01-HC-SXX-R1K-H | | MEI | | |
| DRAWING No. TFC08W01-HC-SXX-R1K-H | | CHECKED BY | | UNIT mm |
| SCALE NONE | | HZF | | |
| REV. | A1 | DRAWING BY | | NO.REV. |
| | | SONG | | |
| | | REV. | | REVISIONS |
| | | A1 | | |
| | | | | CHK |
| | | | | DATE |

| | | | | |
|------|--------------|-----|------------|--|
| | | | | |
| △ A1 | Modify Spec. | HZF | 02/20/2014 | |
| △ A0 | NEW RELEASE | HZF | 06/02/2013 | |
| | | | | |

SPECIFICATION
 Q'ty:1000 PCS/Reel
 RoHS Compliant



AUK A MEMBER OF AUK GROUP
太聯事業股份有限公司
AUK CONTRACTORS CO., LTD.

| | | | | |
|--------------------------------------|----|--------------------|--|--|
| CATEGORY | | APPROVED BY | | UNLESS OTHERWISE SPECIFIED TOLERANCES ARE X. ±0.35 X.* ±5* .X ±0.25 .X* ±2* .XX ±0.15 .XX* ±1* UNIT mm |
| PART No. TFC08W01-HC-SXX-R1K-H | | MEI | | |
| DRAWING No. TFC08W01-HC-SXX-R1K-H | | CHECKED BY HZF | | |
| SCALE NONE | | DRAWING BY SONG | | |
| REV. | A1 | A1 | | NO. REV. |

| | | | | |
|------|------|--------------|-----|------------|
| NO. | REV. | REVISIONS | CHK | DATE |
| △ A1 | | Modify Spec. | HZF | 02/20/2014 |
| △ A0 | | NEW RELEASE | HZF | 06/02/2013 |