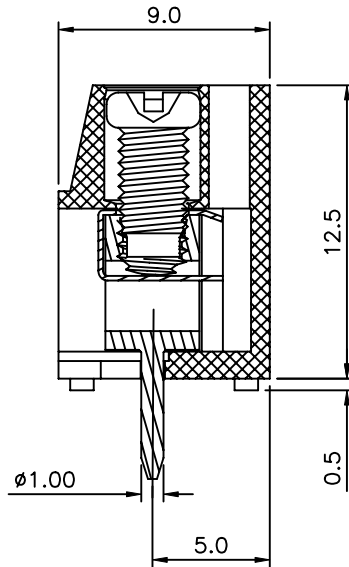
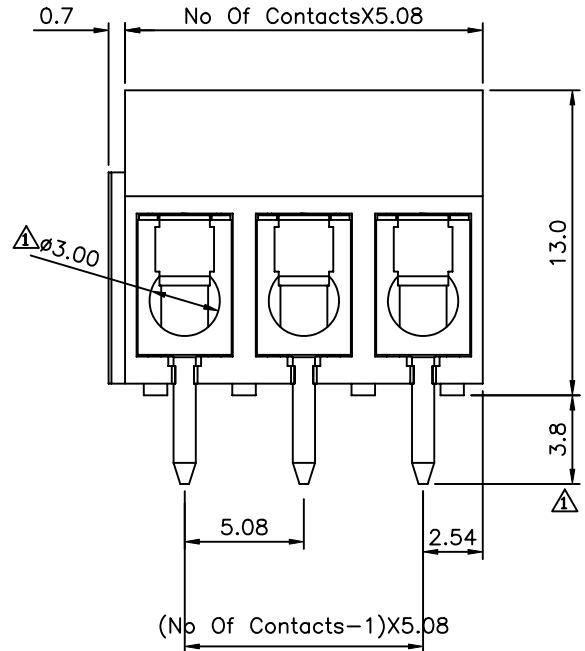


Recommend PCB Layout

SPECIFICATIONS

- Voltage Rating:300V AC
- Current Rating:15A
- Wire Range:
- Solid Wire(AWG):14-22
- Stranded Wire(AWG):14-22
- Torque(Lb-In):3.5
- Screw:M3
- Wire Strip Length:6-7mm
- Withstanding Voltage:1.5KV
- Operating Temperature:-30°C To +105°C
- Soldering Temperature:250°C±10°C/5 Sec
- Terminal Body(Metal Housing):Brass(CuZn)
- Terminal Screw:Steel ,Zinc Plating ,"+ " Slot Type
- Wire Guard:Stainless Steel
- Surface of Solder Tail:Tin Plated
- Insulator (Housing):Thermoplastic (UL94V-0)
- RoHS Compliant



AUK A MEMBER OF AUK GROUP
太聯事業股份有限公司
AUK CONTRACTORS CO., LTD.

CATEGORY		APPROVED BY		UNLESS OTHERWISE SPECIFIED TOLERANCES ARE X. ±0.50 .X ±0.30 .XX ±0.10 ANG. ±1°
PART No. TBN51XXD-H		MEI		
DRAWING No. TBN51XXD-H		HZF		
SCALE		REV.		UNIT
NONE		B1		mm

NO.	REV.	REVISIONS	CHK	DATE
△ B1		Modify Dip Length	HZF	09/26/2008
△ B0		NEW RELEASE	HZF	09/04/2007