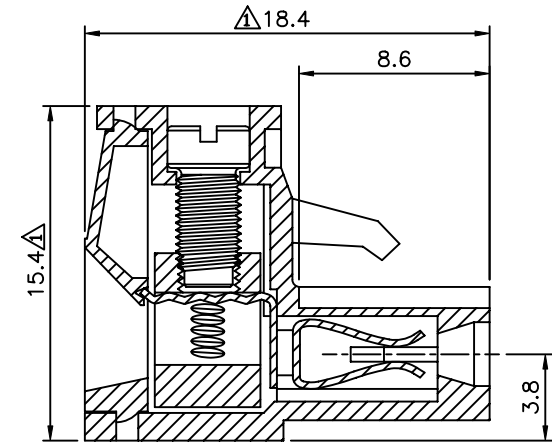
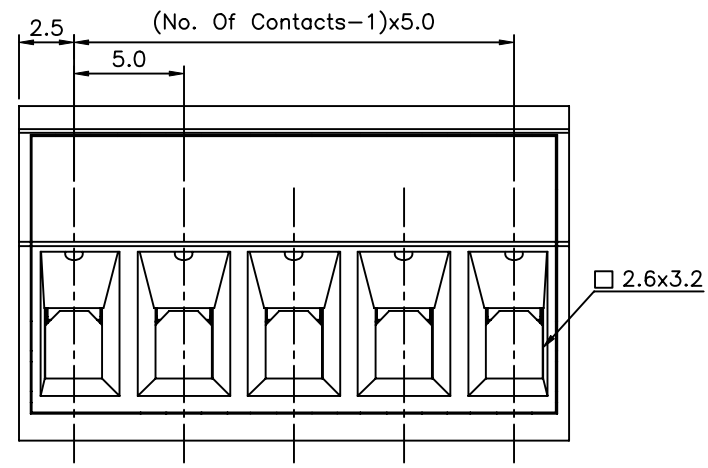
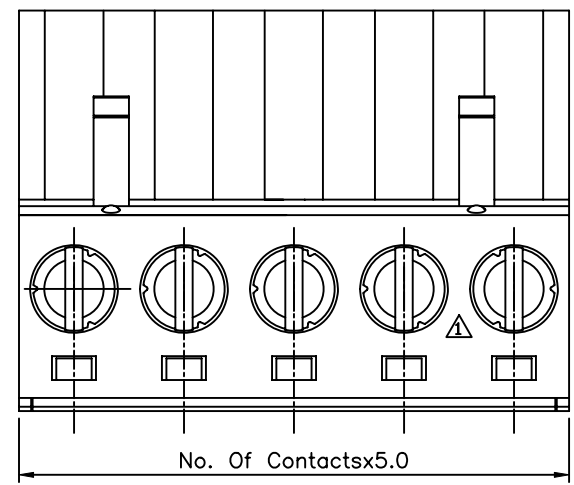


△ SPECIFICATION

Voltage Rating:250V AC
 Current Rating:10 Amp/Way Max.
 Contact Resistance:20 Milliohms Max.
 Insulation Resistance:5000 Megohms/1000V
 Withstanding Voltage:1500V AC(1 Minute) Test Time=60Sec./1PCS
 Wire Range:12~26AWG
 Torque:4.3 kgf.cm/M3
 Operation Temperature:-40°C~+120°C
 Contact(Metal Housing):Copper Alloy
 Terminal Screw:Steel,Galvanized With Cr3+ Plated
 Wire Guard:Copper Alloy,Tin Plated
 Insulator Body(Housing):Polyamide(Glass Filled)(UL94V-0)
 RoHS Compliant



- △ TB H XX S -XX -H
 (1) (2) (3) (4) (5) (6)
- (1) TB:Terminal Block
 - (2) H:5.0 Pitch
 - (3) XX:NO. Of Position
 - (4) S:Female Screw-On Pluggable Rising Clamp Type
 - (5) XX:Insulator Color
 Blank:Green
 BK:Black
 BL:Blue
 - (6) H:RoHS Compliant

AUK A MEMBER OF AUK GROUP
太聯事業股份有限公司
AUK CONTRACTORS CO., LTD.

| | | | | | | | | |
|-------------------------|------|----------------|----|--|--|----------|------------------------------------|----------------|
| CATEGORY | | APPROVED BY | | UNLESS OTHERWISE SPECIFIED TOLERANCES ARE X. ±0.50 .X ±0.30 .XX ±0.20 ANG. ±1° | | | | |
| PART No. △ TBHXXS-XX-H | | MEI | | | | | | |
| DRAWING No. TBHXXS-XX-H | | CHECKED BY HZF | | | | | | |
| | | DRAWING BY WZL | | | | | | |
| SCALE | NONE | REV. | A1 | UNIT mm | | NO. REV. | REVISIONS | CHK DATE |
| | | | | | | △ A1 | Modify P/N:TBHXXS-H -->TBHXXS-XX-H | HZF 07/13/2010 |
| | | | | | | △ A0 | NEW RELEASE | HZF 05/13/2009 |