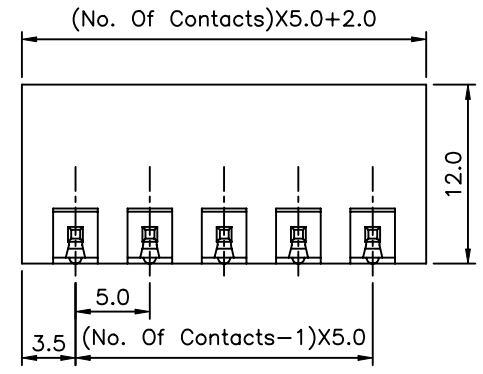
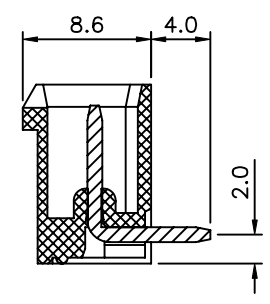
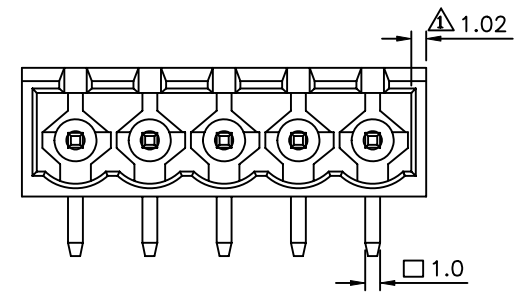


Recommended P.C.B. Layout



SPECIFICATION

Current Rating:10A
 Voltage Rating:250V AC
 Insulation Resistance:500 Megaohms At DC 500V
 Withstanding Voltage:1500V AC(1 Minute)
 Using Temperature Range:-40°C~+105°C
 Soldering Temperature:+250°C,5Seconds Max.
 Solder Pin:Brass,Tin Plated
 Insulator Body(Housing):Polyamide+G.F.(UL94V-0)
 RoHS Compliant

- △ TBH XX R B - XX - H
 (1) (2) (3) (4) (5) (6)
- (1) TBH:5.0mm Terminal Block
 - (2) XX:No. Of Position/Per Row
 - (3) R:DIP Right Angle
 - (4) B:Close End Type
 - (5) XX:Insulator Color
 Blank:Green
 BK:Black
 BL:Blue
 - (6) H:RoHS Compliant

AUK A MEMBER OF AUK GROUP
太聯事業股份有限公司
AUK CONTRACTORS CO., LTD.

| | | | | | | | | | |
|--------------------------|--|----------------|--|----------------------------|--|---------|---------------------------------------|-----|------------|
| CATEGORY | | APPROVED BY | | UNLESS OTHERWISE SPECIFIED | | | | | |
| PART No. △ TBHXXRB-XX-H | | MEI | | TOLERANCES ARE | | | | | |
| DRAWING No. TBHXXRB-XX-H | | CHECKED BY HZF | | X. ±0.50 | | △ A1 | Modify P/N:TBHXXRB-H --> TBHXXRB-XX-H | HZF | 07/30/2010 |
| SCALE NONE | | DRAWING BY WZL | | .X ±0.30 | | △ A0 | NEW RELEASE | HZF | 05/13/2009 |
| REV. A1 | | REV. A1 | | .XX ±0.20 | | NO.REV. | REVISIONS | CHK | DATE |
| | | | | X' ±1' | | | | | |
| | | | | UNIT mm | | | | | |