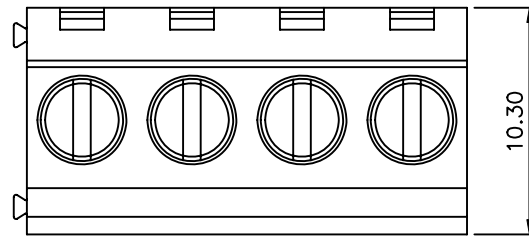
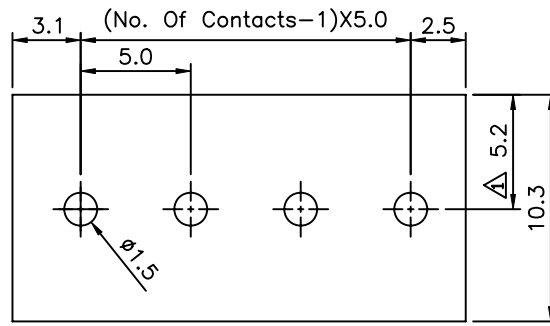


△ SPECIFICATION

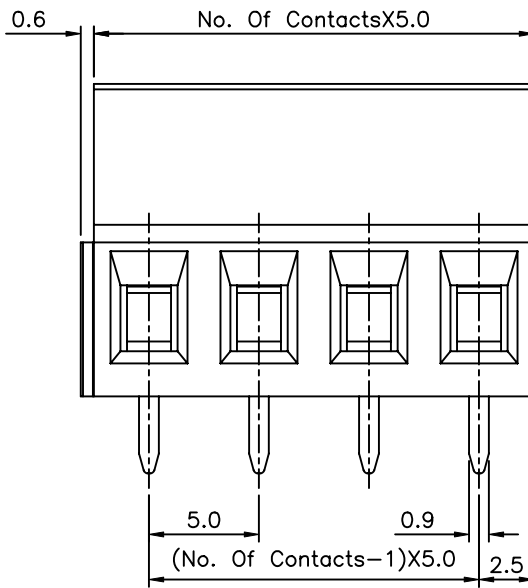
Voltage Rating:300V AC
 Current Rating:16 Amps/Way Max.
 Contact Resistance:20 Milliohms Max.
 Insulation Resistance:5000 Megaohms/1000V
 Withstanding Voltage:2500V AC(1Min) Test Time=60 Sec./1PCS
 Wire Range:12~22AWG
 Torque:3.5Kgf.cm/M2.5
 Operation Temperature:-33°C~+105°C
 Soldering Reliability:
 Test Temperature=250°C±10°C/5Seconds Max.
 Contact(Metal Housing):Copper Alloy
 Terminal Screw:Steel,Galvanized With Cr3+ Plated
 Solder Pin:Copper Alloy,Tin Plated
 Insulator Body(Housing):Polyamide+G.F.(UL94V-0),Green
 RoHS Compliant



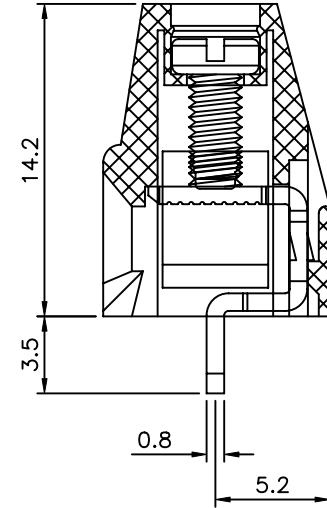
△



Recommended P.C.B. Layout



△



△

AUK A MEMBER OF AUK GROUP
太聯事業股份有限公司
AUK CONTRACTORS CO., LTD.

CATEGORY		APPROVED BY		UNLESS OTHERWISE SPECIFIED TOLERANCES ARE
		MEI		
PART No.		CHECKED BY		X: ±0.50 .X ±0.30 .XX ±0.20 ANG: ±1°
TBHXXB-H		HZF		
DRAWING No.		DRAWING BY		UNIT mm
TBHXXB-H		QQJ		
SCALE	NONE	REV.	A1	NO.REV.

NO.	REV.	REVISIONS	CHK	DATE
△ A1		Modify Data	HZF	12/09/2010
△ A0		NEW RELEASE	HZF	04/12/2009