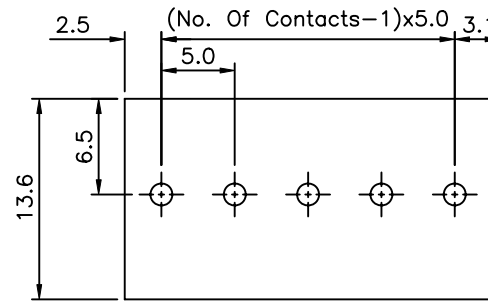
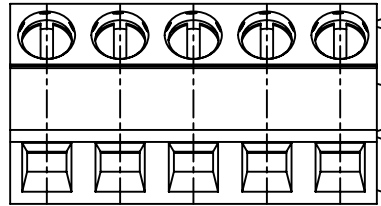
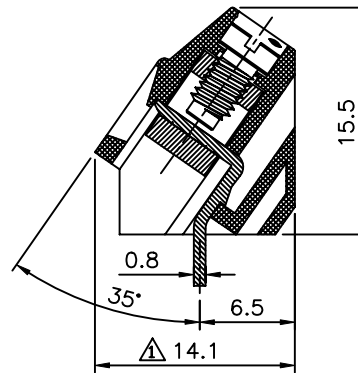
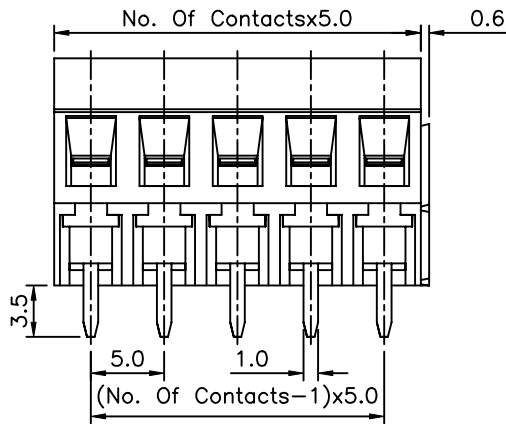


SPECIFICATION

Current Rating:10 Amps/Way Max.
 Voltage Rating:250V AC
 Contact Resistance:20 Milliohms Max.
 Insulation Resistance:5000 Megaohms/1000V
 Withstanding Voltage:2500V AC(1 Minute)
 Test Time=60 Sec/PCS
 Wire Range:12~30AWG
 Operation Temperature:-33°C~+120°C
 Soldering Reliability:250°C±10°C/5 Seconds Max.
 Torque:4.0 kgf.cm/M2.5
 Contact(Metal Housing):Brass,Nickel Plated
 Terminal Screw:Steel,Galvanized With Cr3+ Plated
 Solder Pin:Brass,Tin Plated
 Insulator Body(Housing):Polyamide+G.F.(UL94V-0)
 RoHS Compliant



Recommended P.C.B. Layout



TBH XX C - XX - H
 (1) (2) (3) (4) (5)

- (1) TBH:5.0mm Terminal Block Rising Clamp Type
- (2) XX:No. Of Position
- (3) C:Cable Outlet 45°
- (4) XX:Insulator Color
 Blank:Green
 BK:Black
 BL:Blue
- (5) H:RoHS Compliant

AUK A MEMBER OF AUK GROUP
太聯事業股份有限公司
AUK CONTRACTORS CO., LTD.

CATEGORY		APPROVED BY		UNLESS OTHERWISE SPECIFIED TOLERANCES ARE X. ±0.50 .X ±0.30 .XX ±0.20 ANG. ±1°
PART No. TBHXXC-XX-H		MEI		
DRAWING No. TBHXXC-XX-H		HZF		
		WZL		
SCALE	NONE	REV.	A1	UNIT mm

NO.	REV.	REVISIONS	CHK	DATE
△	A1	Modify Data	HZF	06/11/2010
△	A0	NEW RELEASE	HZF	11/28/2009