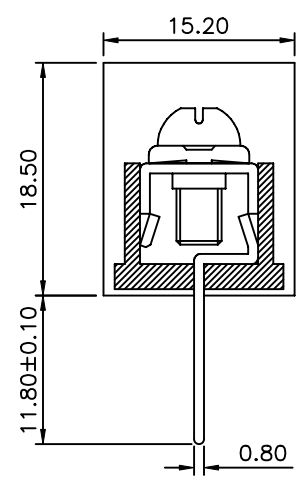
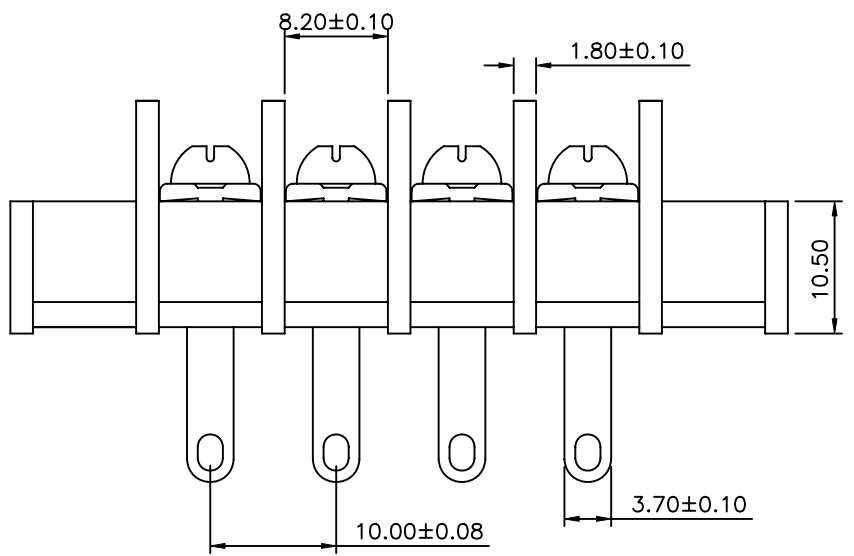
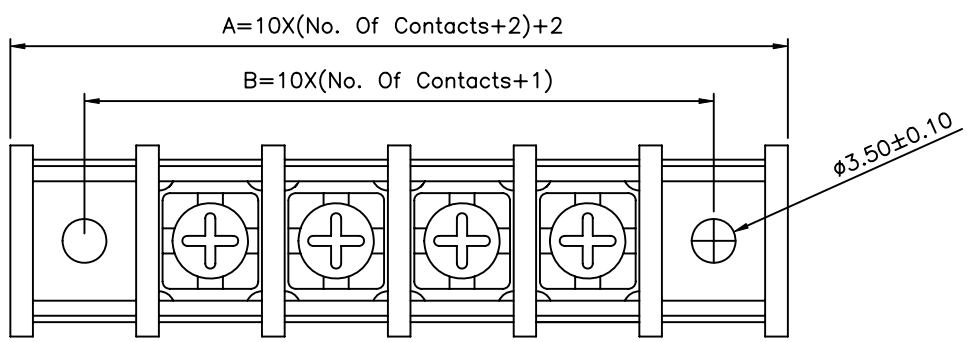


SPECIFICATION

Rated:15A 250V AC
 Insulation Withstand Voltage:2000V AC 1 Minute
 Insulation Resistance:1000 Megaohms Min. At 500V DC
 Screw Torque:7 In-Lb
 Operation Temperature:-55°C~+95°C
 Wire Range:14~18 AWG
 Housing:PA66(UL94V-0),Black
 Terminal:Brass,Tin Plated
 Screw:M3.5 Steel,Nickel Plated
 RoHS Compliant



Pin	A	B
2	42	30
3	52	40
4	62	50
5	72	60
6	82	70
7	92	80
8	102	90
9	112	100
10	122	110
11	132	120
12	142	130
13	152	140
14	162	150
15	172	160
16	182	170
17	192	180
18	202	190
19	212	200
20	222	210
21	232	220
22	242	230
23	252	240
24	262	250
25	272	260
26	282	270
27	292	280
28	302	290
29	312	300
30	322	310

AUK A MEMBER OF AUK GROUP
太聯事業股份有限公司
AUK CONTRACTORS CO., LTD.

CATEGORY		APPROVED BY		UNLESS OTHERWISE SPECIFIED TOLERANCES ARE X. ±0.50 .X ±0.50 .XX ±0.50					
PART No. TBB100AXXSE-H		MEI							
DRAWING No. TBB100AXXSE-H		CHECKED BY HZF							
		DRAWING BY XYH							
SCALE	NONE	REV.	A0	UNIT mm					
NO. REV.						NEW RELEASE		HZF	07/27/2010
REVISIONS						CHK		DATE	