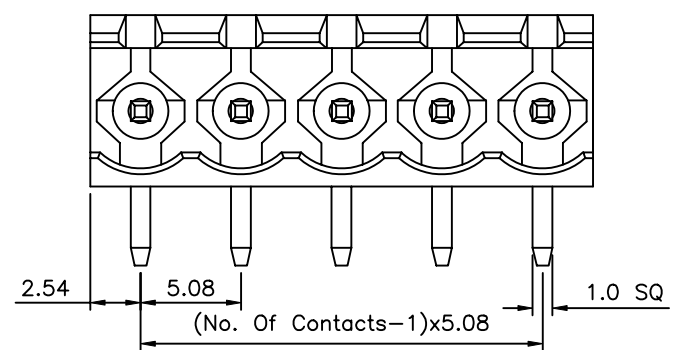
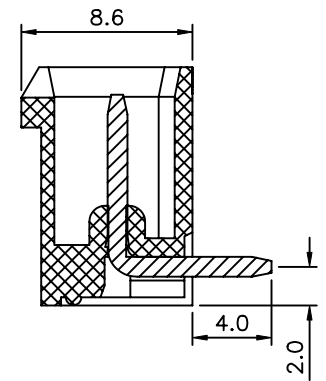
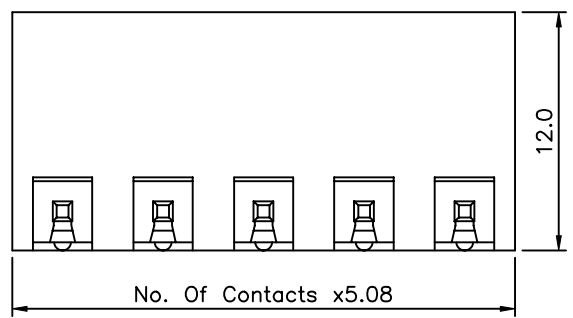


PCB Layout

**SPECIFICATION**  
 Current Rating:10A  
 Voltage Rating:250V AC  
 Withstanding Voltage:AC 1500V (1Minute)  
 Insulation Resistance:500 Megaohms At DC 500V  
 Using Temperature Range:-40°C~+105°C  
 Soldering Temperature:+250°,5Seconds Max.  
 Solder Pin:Brass,Tin Plated  
 Insulator Body(Housing):Polyamide Glass Filled  
 UL94V-0,Green  
 RoHS Compliant



**AUK** A MEMBER OF AUK GROUP  
**太聯事業股份有限公司**  
**AUK CONTRACTORS CO., LTD.**

CATEGORY		APPROVED BY		UNLESS OTHERWISE SPECIFIED TOLERANCES ARE X. ±0.50 .X ±0.30 .XX ±0.20 ANG. ±1°					
PART No. TB51XXPR-H		MEI							
DRAWING No. TB51XXPR-H		HZZ							
		HYY							
SCALE	NONE	REV.	A0	UNIT mm		△ A0	NEW RELEASE	HZZ	04/10/2009
						NO.REV.	REVISIONS	CHK	DATE