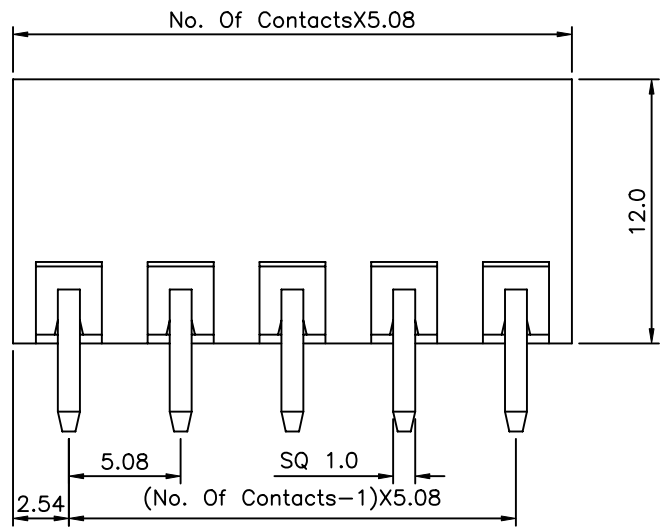
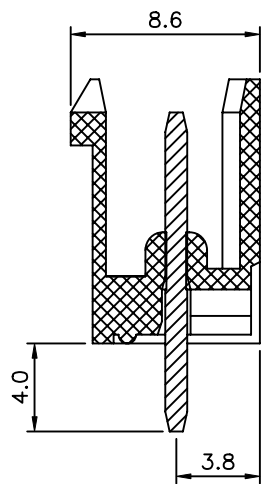
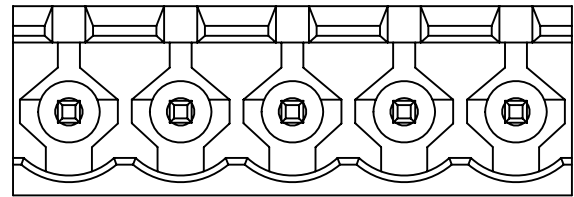


Recommended P.C.B. Layout

SPECIFICATION

Voltage Rating:250V AC
 Current Rating:10A
 Withstanding Voltage:1500V AC For 1 Minute
 Insulation Resistance:500 Megaohms
 At 500V DC
 Using Temperature Range:-40°C~+105°C
 Soldering Temperature:+250°C,5 Seconds Max.
 Solder Pin:Brass,Tin Plated
 Insulator Body(Housing):Polyamide+G.F.(UL94V-0),Green
 RoHS Compliant



TB51 XX PD - H
 (1) (1) (1) (1)

- (1) TB51:5.08mm Terminal Block
- (2) XX:No. Of Position
- (3) PD:Male DIP Straight Open End
- (4) H:RoHS Compliant

AUK A MEMBER OF AUK GROUP
太聯事業股份有限公司
AUK CONTRACTORS CO., LTD.

CATEGORY		APPROVED BY		UNLESS OTHERWISE SPECIFIED TOLERANCES ARE X. ±0.50 .X ±0.30 .XX ±0.20 X.* ±1°
PART No. TB51XXPD-H		MEI		
DRAWING No. TB51XXPD-H		HZF		
		QQJ		
SCALE	NONE	REV.	A0	UNIT mm

NO.	REV.	REVISIONS	CHK	DATE
△ A0		NEW RELEASE	HZF	02/02/2010