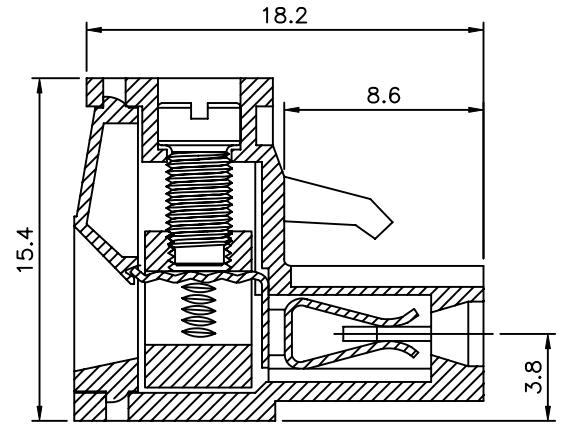
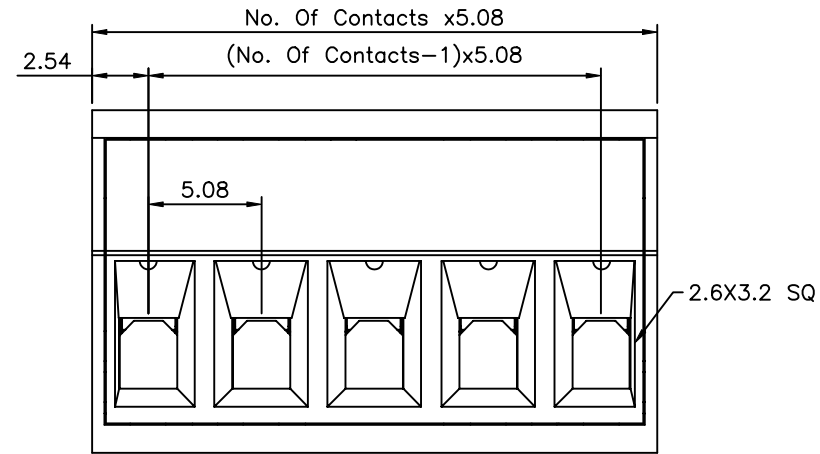
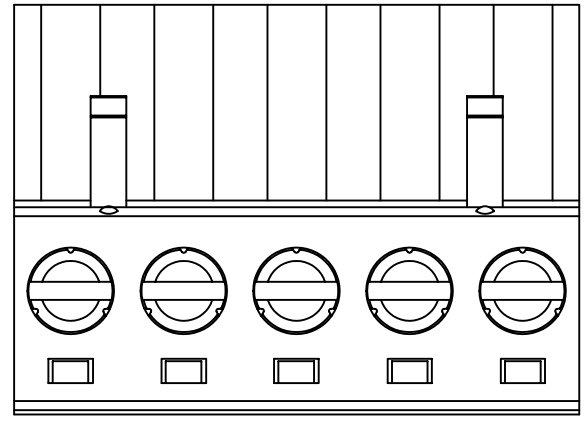


SPECIFICATION

Current Rating:10Amps/Way Max.
 Voltage Rating:250V AC
 Withstanding Voltage:1500V AC (1Minute)
 Test Time=60 Seconds/1PCS
 Contact Resistance:20 Milliohms Min.
 Insulation Resistance:5000 Megohms/1000V
 Wire Range:12-26AWG
 Torque:4.3Kgf.cm/M3
 Operation Temperature:-40°C~+120°C
 Contact(Metal Housing):Brass Machined(Optional)
 Terminal Screw:Steel
 Galvanized With Cr3+ Plated
 Wire Guard:Phosphor Bronze,Tin Plated
 Insulator Body(Housing):Polyamide Glass Filled
 UL94V-0,Green
 RoHS Compliant



AUK A MEMBER OF AUK GROUP
太聯事業股份有限公司
AUK CONTRACTORS CO., LTD.

CATEGORY		APPROVED BY		UNLESS OTHERWISE SPECIFIED TOLERANCES ARE X. ±0.50 .X ±0.30 .XX ±0.20 ANG. ±1°
PART No. TB51XXSW-H		MEI		
DRAWING No. TB51XXSW-H		HZZ		
SCALE		HYY		
SCALE	NONE	REV.	A0	UNIT mm

NO.	REV.	REVISIONS	CHK	DATE
△ A0		NEW RELEASE	HZZ	04/10/2009