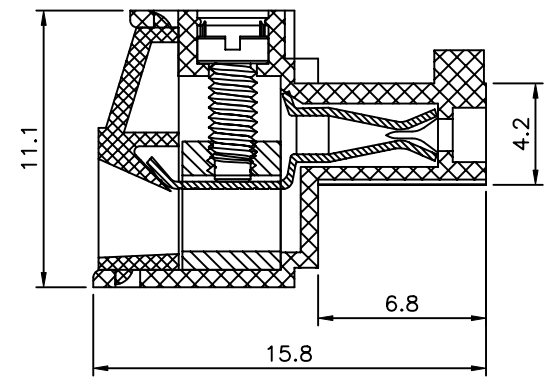
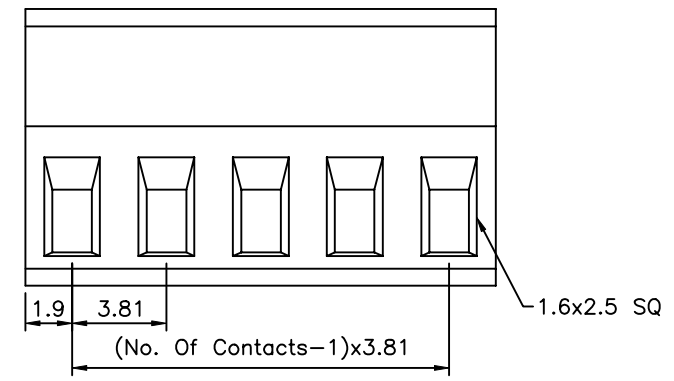
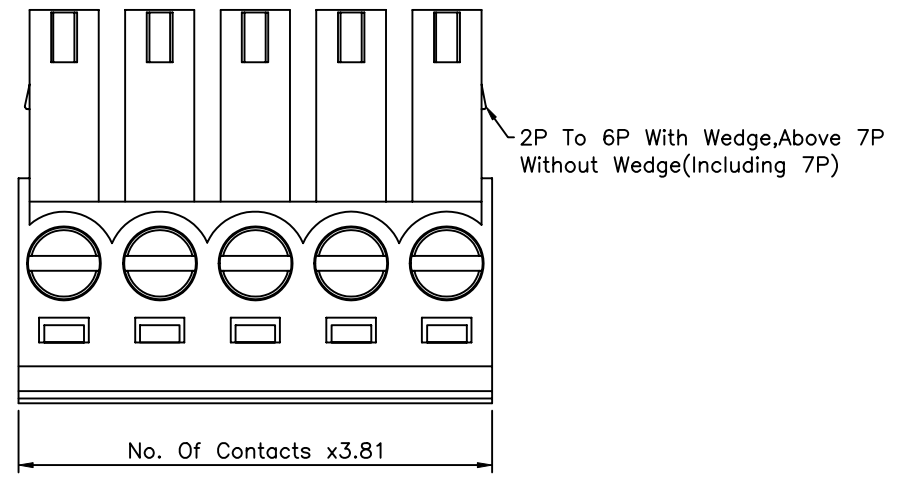


SPECIFICATION
 Current Rating:8Amps/Way Max.
 Voltage Rating:250V AC
 Withstanding Voltage:1500V AC For 1Minute
 Contact Resistance:20 Milliohms Max.
 Insulation Resistance:5000 Megaohms/1000V
 Wire Range:16-24 AWG
 Torque:2.2Kgf.cm/M2
 Operation Temperature:-40°C~+120°C
 Contact(Metal Housing):Brass Machined
 Terminal Screw:Steel Galvanized With CR3+ Plated
 Wire Guard:Phosphor Bronze,Tin Plated
 Insulator Body(Housing):Glass-Filled
 Thermoplastic UL94V-0,Green
 RoHS Compliant



AUK A MEMBER OF AUK GROUP
太聯事業股份有限公司
AUK CONTRACTORS CO., LTD.

| | | | | | | | | | |
|---------------------------|------|-------------------|----|--|------------|---------|-----------|-------------|------|
| CATEGORY | | APPROVED BY | | UNLESS OTHERWISE SPECIFIED TOLERANCES ARE X. ±0.50 .X ±0.30 .XX ±0.20 ANG. ±1° | | | | | |
| PART No. TB38XXSW-H | | CHECKED BY HZF | | | | | | | |
| DRAWING No. TB38XXSW-H | | DRAWING BY HYY | | | | | | | |
| SCALE | NONE | REV. | A0 | | UNIT mm | ⊕ | △ A0 | NEW RELEASE | HZF |
| | | | | | | NO.REV. | REVISIONS | CHK | DATE |