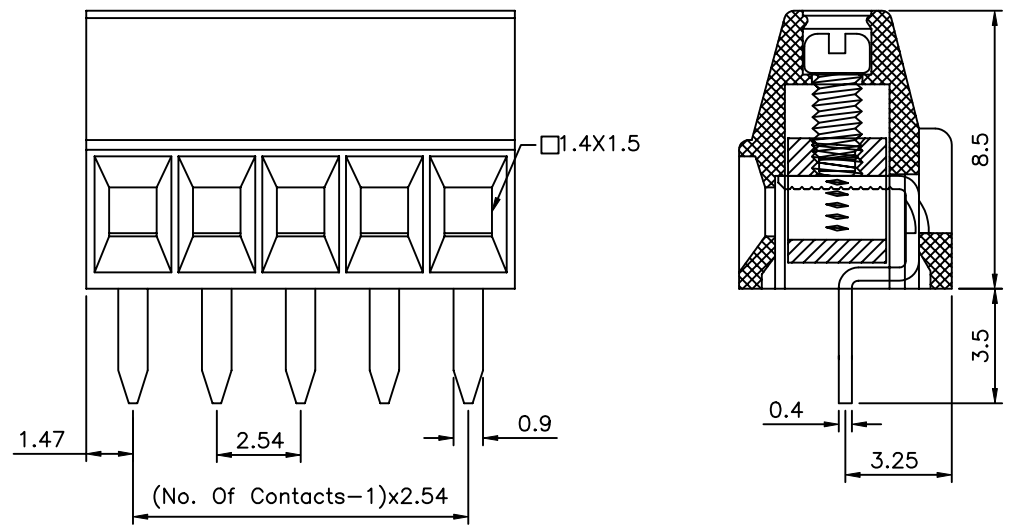


SPECIFICATION

Voltage Rating:150V AC
 Current Rating:6 Amps/Way Max.
 Contact Resistance:20 Milliohms Max.
 Insulation Resistance:1000 Megaohms/1000V
 Operation Temperature:-33°C To +105°C
 Withstanding Voltage:1000V AC(1Minute)
 Test Time=60Sec./1PCS
 Wire Range:18~30AWG
 Torque:1.0kgf.cm/M1.6
 Soldering Reliability:
 Test Temperature=250°C±10°C
 5 Seconds Max.
 Contact:Copper Alloy,Nickel Plated
 Terminal Screw:Steel,Galvanized With Cr3+ Plated
 Solder Pin:Copper Alloy,Tin Plated
 Insulator:Polyamide(Glass Filled)
 UL94V-0,Green
 RoHS Compliant



AUK A MEMBER OF AUK GROUP
太聯事業股份有限公司
AUK CONTRACTORS CO., LTD.

CATEGORY		APPROVED BY		UNLESS OTHERWISE SPECIFIED TOLERANCES ARE X. ±0.50 .X ±0.30 .XX ±0.20 ANG. ±1°					
PART No. TB25XXA-H		MEI							
DRAWING No. TB25XXA-H		HZF							
		XYH							
SCALE	NONE	REV.	A0	UNIT mm					
NO. REV.						REVISIONS		CHK	DATE
A0						NEW RELEASE		HZF	07/26/2009