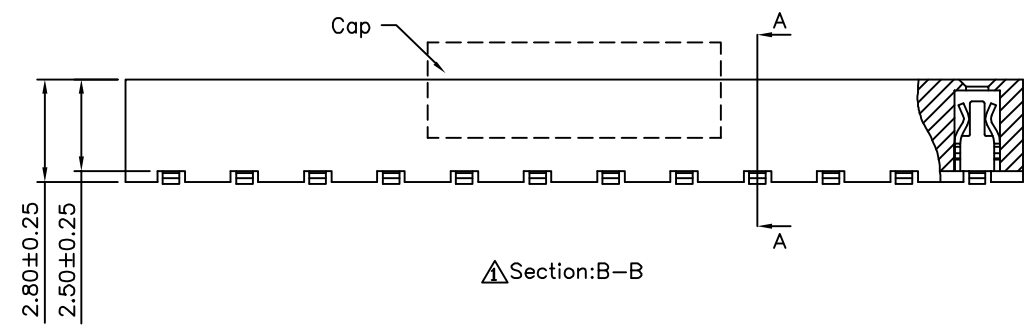
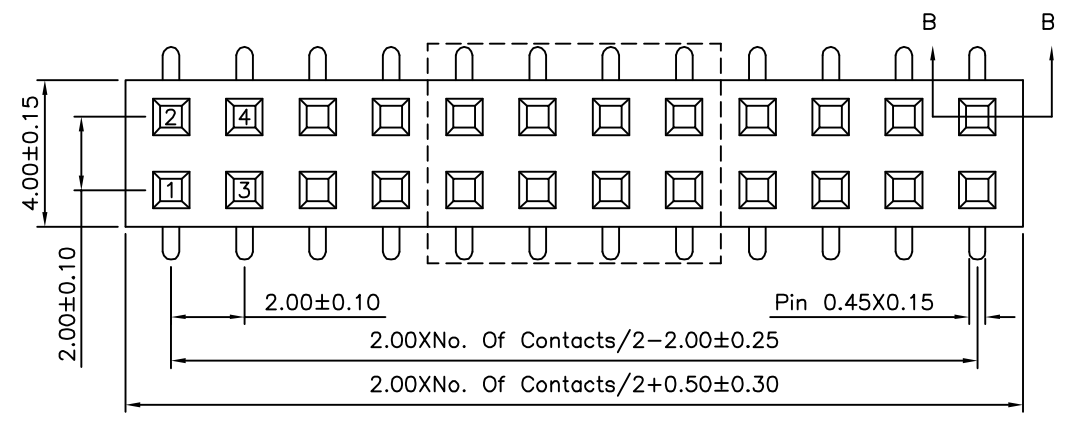
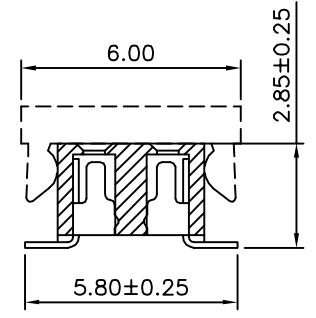


Recommended P.C.B. Layout (Top Side)
(PCB Board Tolerance ±0.05)



Section: B-B

- SVX28-2XXC-RXXX-H
(1)(2)(3)(4) (5) (6) (7) (8) (9)
- (1) S: 2.0mm Female Header
 - (2) V: SMT Straight
 - (3) X: Without Post
 - (4) 28: 2.85mm Total Height
 - (5) 2: Dual Row
 - (6) XX: No. Of Position/Per Row
 - (7) C: With Cap
 - (8) RXXX: Tape & Reel
 - (9) H: RoHS Compliant



Section: A-A

SPECIFICATION

Current Rating: 2.0 Amp
 Withstand Voltage: 500V AC/DC
 Contact Resistance: 20 Milliohms Max.
 Insulation Resistance: 1000 Megaohms Min.
 Operation Temperature: -40°C ~ +105°C
 Contact: Phosphor Bronze, Gold Plated Over Nickel
 Insulator: PA9T+30%G.F.(UL94V-0), Black
 RoHS Compliant

AUK A MEMBER OF AUK GROUP
太聯事業股份有限公司
AUK CONTRACTORS CO., LTD.

CATEGORY		APPROVED BY	
PART No.		EMILY	
SVX28-2XXC-RXXX-H		CHECKED BY	
DRAWING No.		HZF	
SVX28-2XXC-RXXX-H		DRAWING BY	
SCALE		HAO	
NONE	REV.	A1	

UNLESS OTHERWISE SPECIFIED TOLERANCES ARE
 .X ±0.40
 .XX ±0.25
 .XXX ±0.15
 ANG. ±3°

NO.	REV.	REVISIONS	CHK	DATE
△ A1		Modify Data	HZF	03/17/2015
△ A0		NEW RELEASE	HZF	06/27/2010