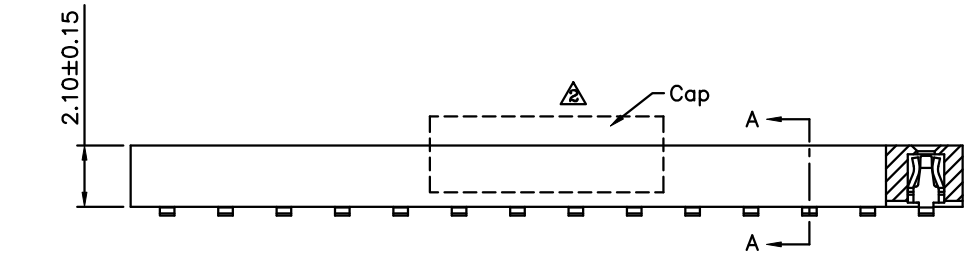
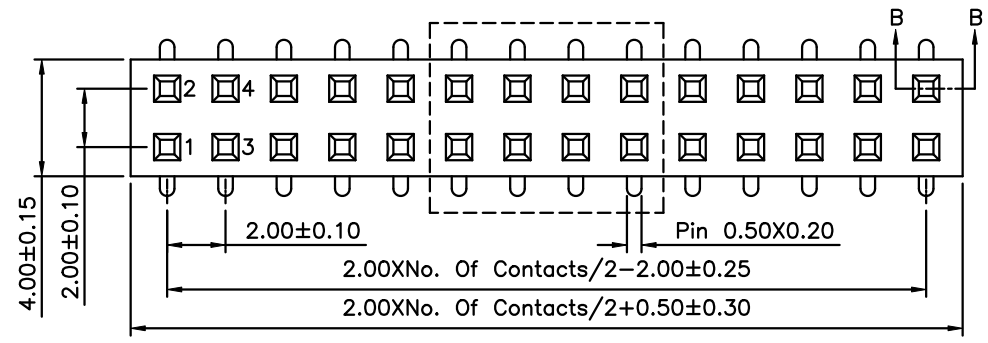
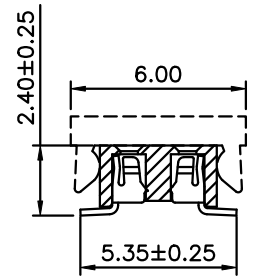


Recommended P.C.B Layout (Top Side)  
(PCB Board Tolerance ±0.05)



Section B-B



Section A-A

**SPECIFICATION**  
 Current Rating: 2.0 Amp  
 Insulator Resistance: 1000 Megaohms Min.  
 Contact Resistance: 20 Milliohms Max.  
 Withstand Voltage: 500V AC/DC  
 Operation Temperature: -40°C ~ +105°C  
 Contact: Phosphor Bronze, Gold Plated Over Nickel  
 Insulator: PA9T+30%G.F.(UL94V-0), Black  
 RoHS Compliant

- △ S V X 24 - 2 X XX C - RXXX - H  
 (1) (2) (3) (4) (5) (6) (7) (8) (9)
- (1) S: 2.0mm Female Header
  - (2) V: SMT Straight
  - (3) X: Without Post
  - (4) 24: 2.4mm Total Height
  - (5) 2: Dual Row
  - (6) XX: No. Of Position/Per Row
  - (7) C: With Cap
  - (8) RXXX: Tape & Reel
  - (9) H: RoHS Compliant

**AUK** A MEMBER OF AUK GROUP  
**太聯事業股份有限公司**  
**AUK CONTRACTORS CO., LTD.**

CATEGORY		APPROVED BY		UNLESS OTHERWISE SPECIFIED TOLERANCES ARE .X ±0.40 .XX ±0.25 .XXX ±0.15 ANG. ±3°	△ A4	Modify Data	HZF	10/07/2016	
PART No. SVX24-2XXXC-RXXX-H		MEI			△ A3	Modify Spec.	HZF	05/06/2013	
DRAWING No. SVX24-2XXXC-RXXX-H		CHECKED BY			△ A2	Modify Data	HZF	09/07/2012	
SCALE		DRAWING BY			△ A1	Modify Data	HZF	07/05/2012	
SCALE	NONE	REV.	A4	UNIT	mm	NO. REV.	REVISIONS	CHK	DATE