

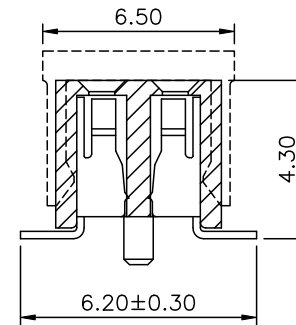
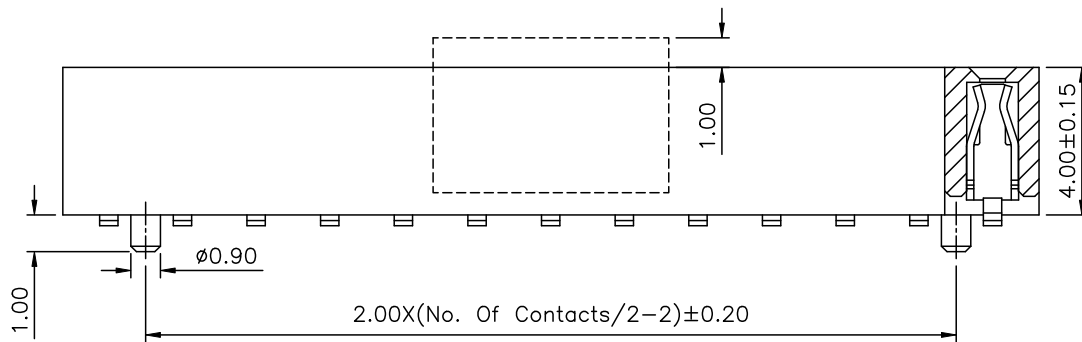
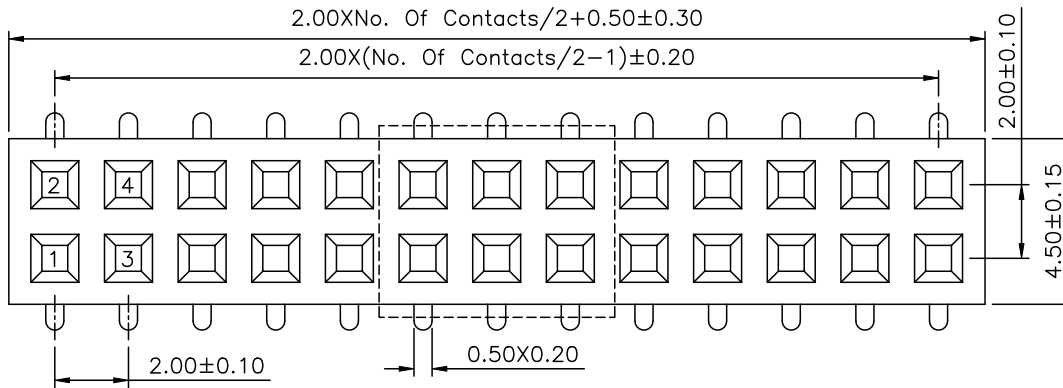
Recommended P.C.B. Layout

SPECIFICATION

Current Rating:1.5 Amps/Contact Max.
 Withstand Voltage:450V AC/Minute
 Contact Resistance:20 Milliohms Max./Contact
 Insulation Resistance:1000 Megaohms Min. At 100V
 Operation Temperature:-55°C~+105°C
 Contact:Phosphor Bronze,Gold Flash Over Nickel
 Insulator:PA6T+30%G.F.(UL94V-0),Black
 RoHS Compliant

$$\frac{S}{(1)} \frac{V}{(2)} \frac{P}{(3)} \frac{43}{(4)} - \frac{2}{(5)} \times \frac{XX}{(6)} \frac{C}{(7)} - \frac{H}{(8)}$$

- (1) S:2.0mm Female Header
- (2) V:SMT Straight
- (3) P:With Post
- (4) 43:4.3mm Total Height
- (5) 2: Dual Row
- (6) XX:No. Of Position/Per Row
- (7) C:With Cap
- (8) H:RoHS Compliant



AUK A MEMBER OF AUK GROUP
太聯事業股份有限公司
AUK CONTRACTORS CO., LTD.

CATEGORY		APPROVED BY	
PART No. SVP43-2XXXC-H		MEI	
DRAWING No. SVP43-2XXXC-H		CHECKED BY HZF	
SCALE		DRAWING BY CYP	
NONE	REV.	A0	

UNLESS OTHERWISE SPECIFIED TOLERANCES ARE
 X ±0.25
 X ±0.15
 XX ±0.10
 XXX ±0.05
 ANG. ±5°

UNIT	mm	NO.	REV.	REVISIONS	CHK	DATE
		△ A0		NEW RELEASE	HZF	06/06/2017