

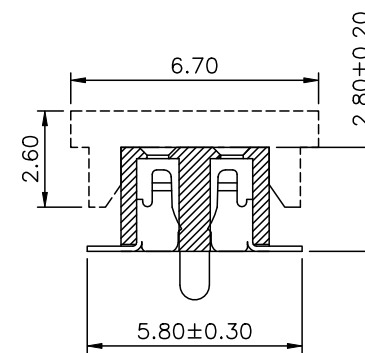
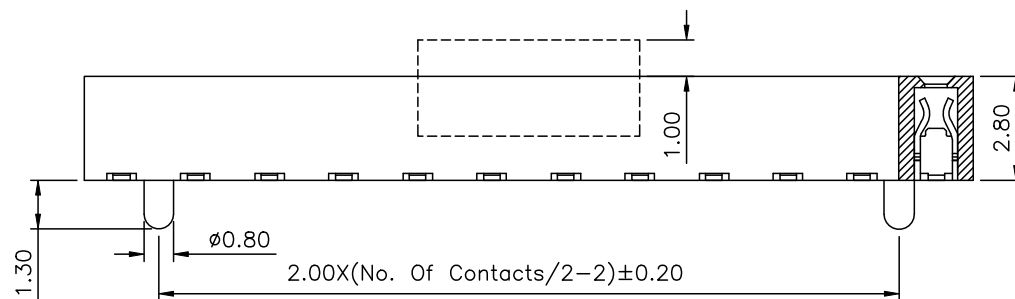
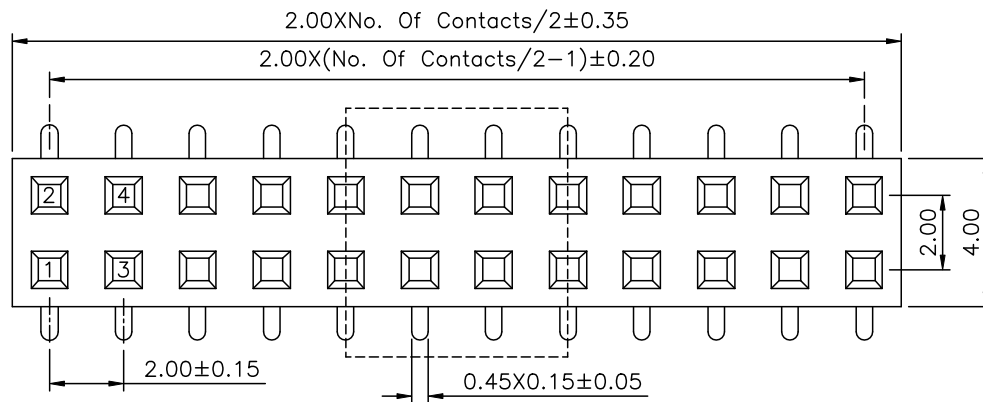
Recommended P.C.B. Layout

SPECIFICATION

Current Rating:1.5 Amps/Contact Max.
 Withstand Voltage:450V AC/Minute
 Contact Resistance:20 Milliohms Max./Contact
 Insulation Resistance:1000 Megohms Min. At 100V
 Operation Temperature:-55°C~+105°C
 Contact:Phosphor Bronze,Gold Flash Over Nickel
 Insulator:PA6T+30%G.F.(UL94V-0),Black
 RoHS Compliant

$\frac{S}{(1)} \frac{V}{(2)} \frac{P}{(3)} \frac{28}{(4)} - \frac{2}{(5)} \times \frac{XX}{(6)} \frac{C}{(7)} - \frac{H}{(8)}$

- (1) S:2.0mm Female Header
- (2) V:SMT Straight
- (3) P:With Post
- (4) 28:2.8mm Total Height
- (5) 2: Dual Row
- (6) XX:No. Of Position/Per Row
- (7) C:With Cap
- (8) H:RoHS Compliant



AUK A MEMBER OF AUK GROUP
太聯事業股份有限公司
AUK CONTRACTORS CO., LTD.

CATEGORY		APPROVED BY		UNLESS OTHERWISE SPECIFIED TOLERANCES ARE X ±0.50 .X ±0.30 .XX ±0.20 .XXX ±0.10 ANG. ±5°					
PART No. SVP28-2XXXC-H		MEI							
DRAWING No. SVP28-2XXXC-H		HZF							
SCALE		REV.		CYP	UNIT mm	NO. REV.	REVISIONS	CHK	DATE
NONE		A0				A0	NEW RELEASE	HZF	06/06/2017