



## Strain Relief

**Model: SR-K33-LP-5P**  
**SR-K33**



## 1. Materials and Conditions



Material type	Polycarbonate
Fire retardant	Yes
UV protected	Yes
Colour	White, RAL 9016
Manufacturing method	Injection Molding
Ambient temperature range	-25...+45°C
Storage temperature range	-25...+85°C

## 2. Packing information

Packing way	Model	Colour	Carton L*W*H(mm)	Pcs/ Carton	Net weight/ Pcs(kg)	Net weight/ Carton(kg)	Gross weight/ Carton(kg)
industrial	SR-K33-LP-5P	White	457*250*220	130	0.036	4.68	5.18
industrial	SR-K33	White	457*250*220	480	0.009	4.3	4.8

## Package Contents

One set of SR-K33-LP-5P strain relief consists of the following parts:

- Cover part
- Bottom part
- Looping connector
- One cover bearing the   symbol
- Pre-cut wires for looping connector wiring inside the strain relief (available on request)

## 3. Suitability for different Kegu Power LED drivers

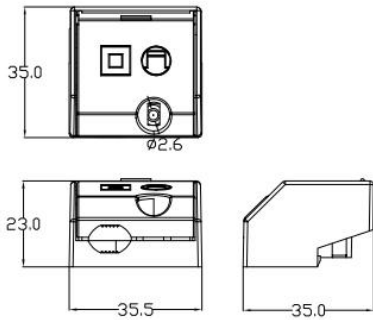
CC21W150-500	CC30W350-700CG DALI-1	C60C700-1400D-D
CC30W350-700	C30C350-700D-D	CC80W1200-2100CG DALI NFC
CC44W700-1050	CC44W700-1050CG DALI-1	C80C1200-2100N-D
CC80W1200-2100CG NFC	C44C700-1050D-D	(MORE)
C80C1200-2100N-N	CC44W300-1050CG DALI-1	
CC21W150-500CG DALI-1	C44C300-1050D-D	
C21C150-500D-D	CC60W700-1400CG DALI-1	



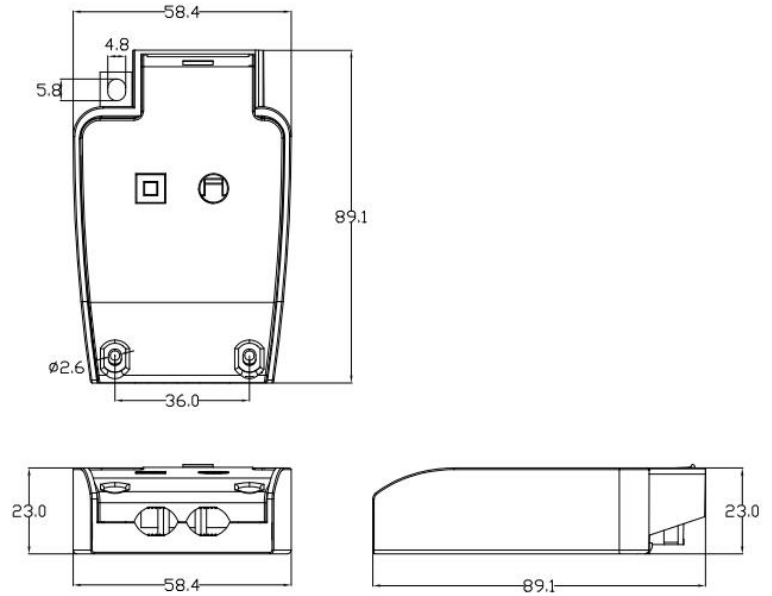
## 4. Dimension

### Side Cover

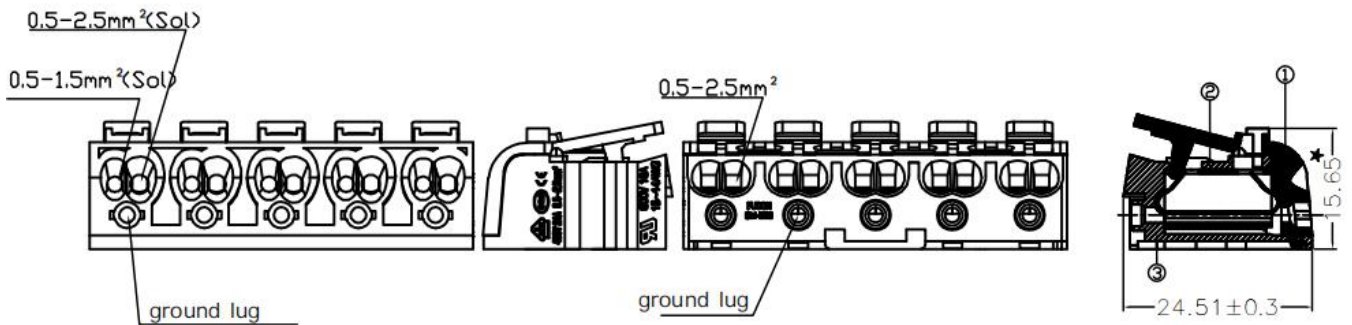
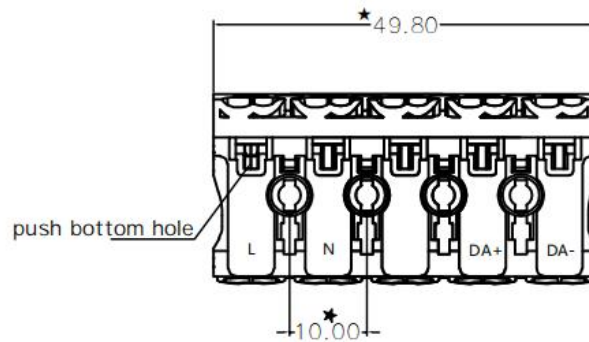
SR-K33



SR-K33-LP-5P

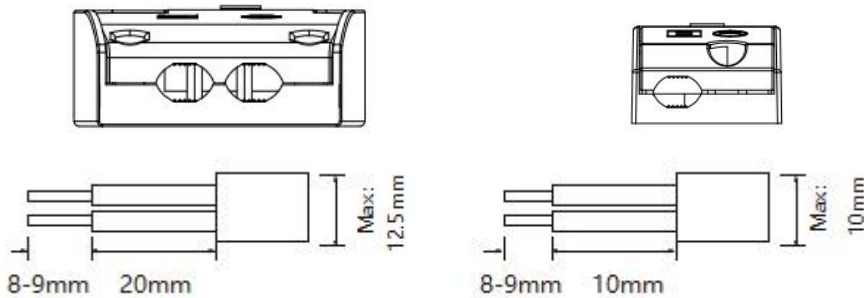


### Looping Connector



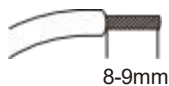
	No.	Function	Colour		No.	Function	Colour
	Looping connector (input)	1	L		White	Output terminal	1
2		N	White	2	LED-		Black
3		E	White				
4		DA+	White				
5		DA-	White				

### 5. Cable Diameter Limit



- The maximum allowable diameter of the input cable sheath is 12.5mm
- The maximum allowable diameter of the output cable sheath is 10mm

Input cable: 0.5-2.5mm<sup>2</sup>



Output cable: 0.5-1.5mm<sup>2</sup>



### 6. Revision History

DATE	REV	Modification details
2025.3.21	V1.0	Initial release

