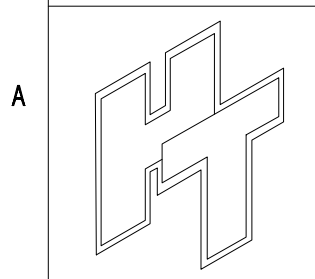
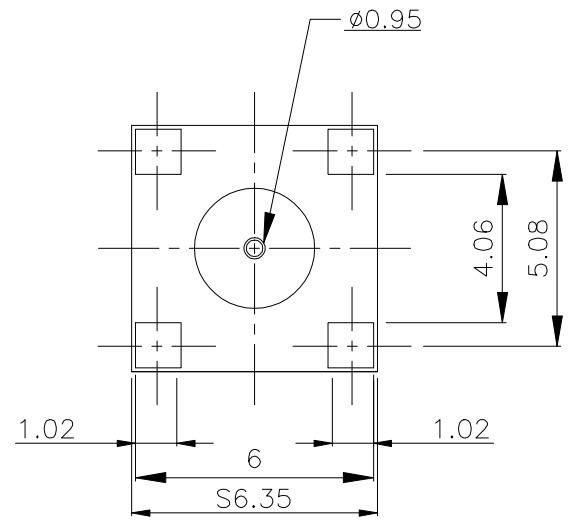
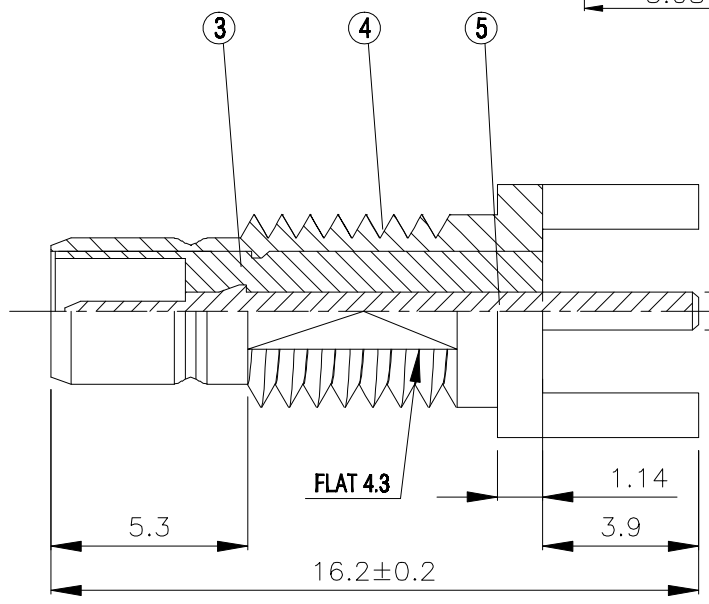
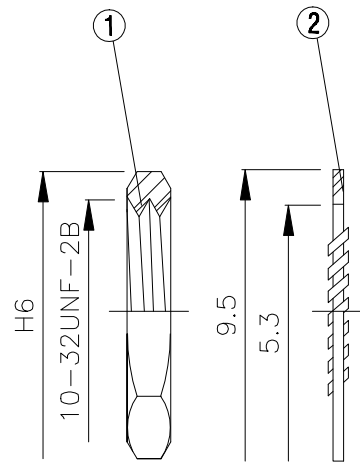
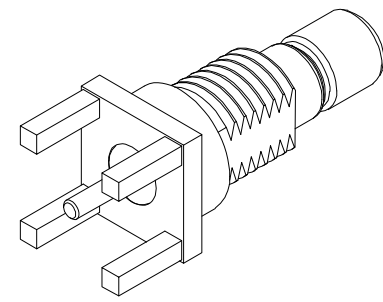
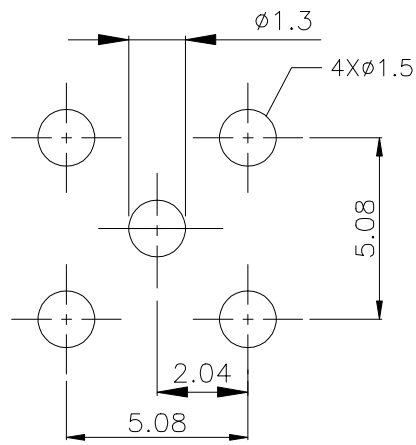


NO	DESCRIPTION	MATERIAL	Q'TY	FINISH	REMARK
1	NUT	BRASS	1	GOLD	N-0005-G
2	WASHER	BRASS	1	GOLD	W-0009-G
3	INSULATION	TEFLON	1	TEFLON	I-0525T
4	BODY	BRASS	1	GOLD	B-SMB1090-G
5	PIN	PH.BRONZE	1	GOLD	P-SMB0760-G



HUS-TSAN GROUP CO., LTD.
P.O.BOX 40-76.TAINAN.TAIWAN,R.O.C.
TITLE SMB MALE PCB MOUNT
PART NO. SMB-33-TGG
DRAWING NO. SMB-33-TGG

DRAWN	MARY	DATE	95.06.27
CHECKED	黄巧君	DATE	95.06.27
Q.A.	沈佳德	DATE	
APPROVAL	徐燦霖	DATE	
REVISION		DATE	

DIMENSIONS ARE IN MILLIMETERS			
UNLESS OTHERWISE SPECIFIED TOLERANCE			
0.5-5=±0.2	120-315=±1		
5-30=±0.4	315-1000=±1.6		
30-120=±0.6	1000-2000=±2.4		
SCALE	4:1	SIZE	A

REVISION	
DESCRIPTION	ENGINEER

4

3

2

1

A

A