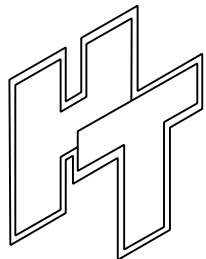
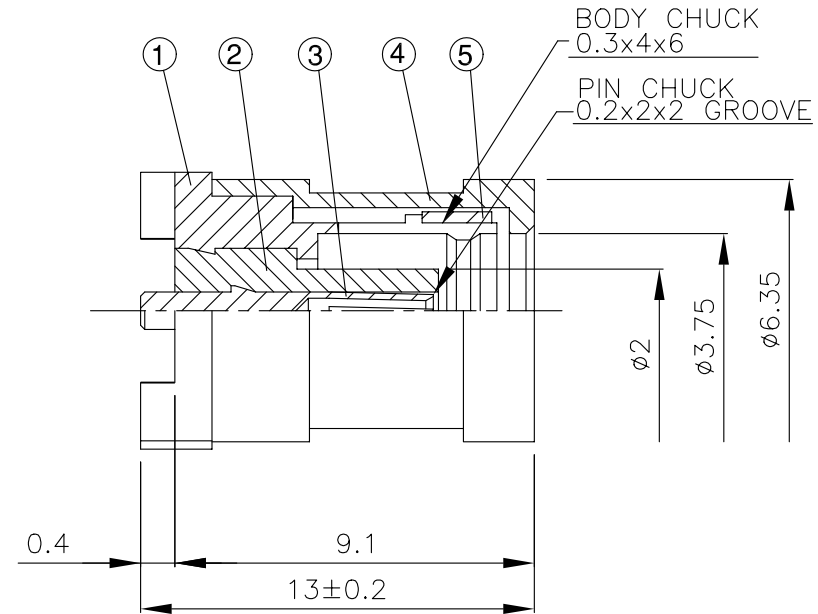
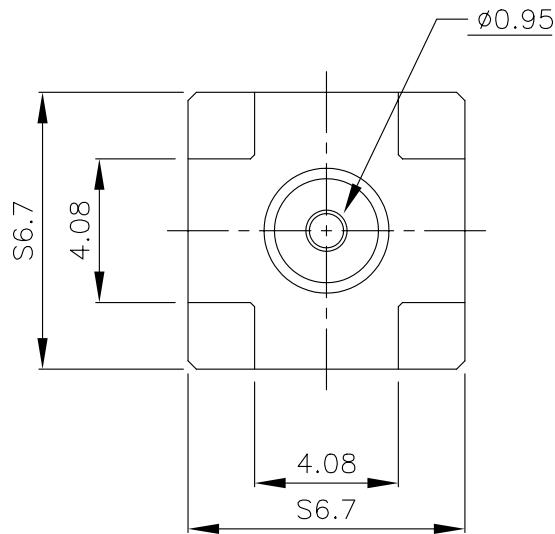
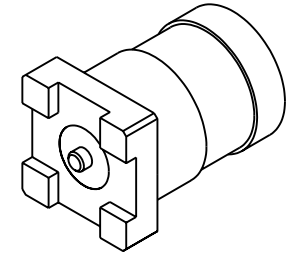
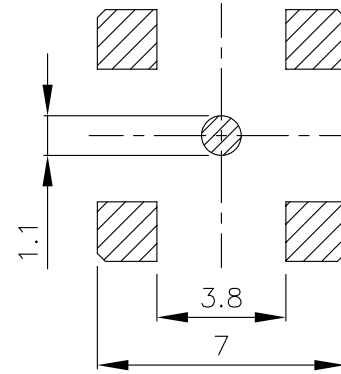


NO	DESCRIPTION	MATERIAL	Q'TY	FINISH	REMARK
1	BODY 1	BRASS	1	NICKEL	B-SMB0525-N
2	INSULATION	TEFLON	1	TEFLON	I-0069T
3	PIN	BE CU	1	GOLD	P-SMB0349-G
4	BODY 2	BRASS	1	NICKEL	B-SMB0245-N
4	WASHER	BRASS	1	NICKEL	W-0035-N



HUS-TSAN GROUP CO., LTD.
P.O. BOX 40-76 .TAINAN.TAIWAN,R.O.C.

TITLE
SMB FEMALE PC MOUNT

PART NO. **SMB-11V4-TGN**

DRAWING NO. **SMB 11V4 TGN**

DRAWN MARY

DATE 96.03.13

CHECKED 黃巧君

DATE

Q.A. 蘇姿潔

DATE

APPROVAL 徐燦霖

DATE

REVISION

DATE

DIMENSIONS ARE IN MILLIMETERS

UNLESS OTHERWISE SPECIFIED TOLERANCE

0.5-5=±0.2 120-315=±0.2

5-30=±0.4 315-1000=±0.4

30-120=±0.6 1000-2000=±0.6

SCALE 5:1

SIZE A

REVISION

DESCRIPTION	ENGINEER