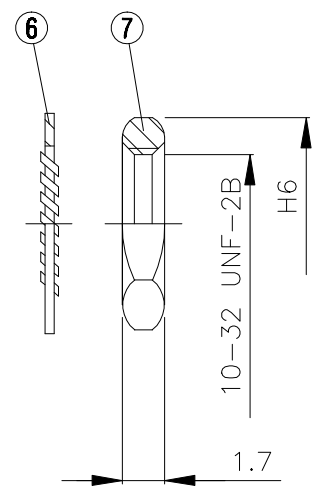
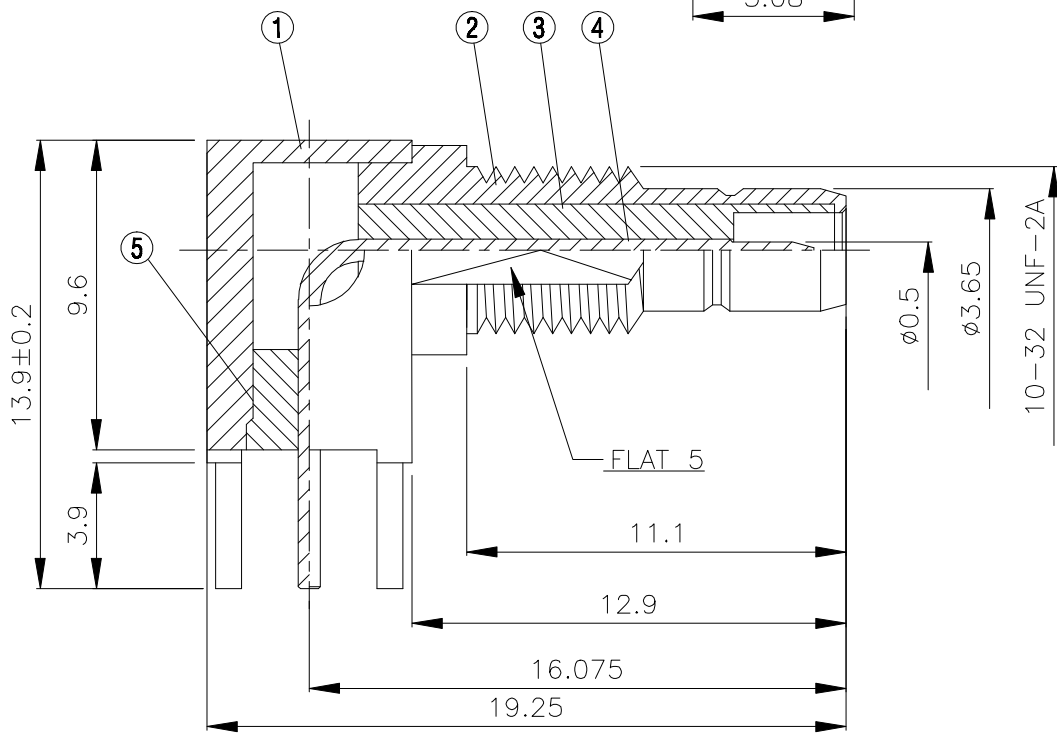
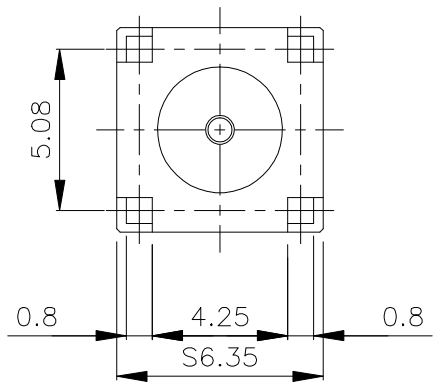
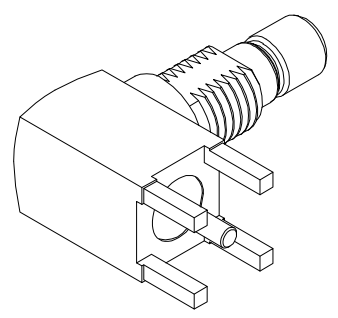
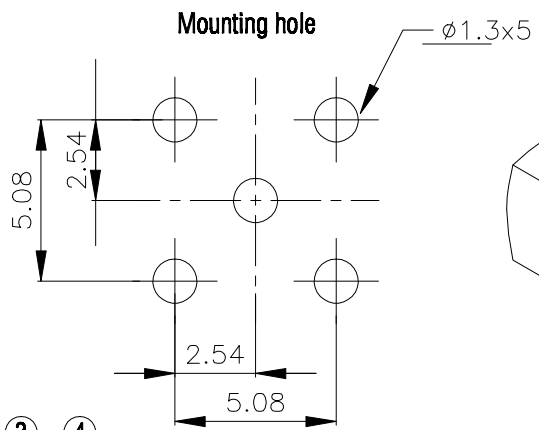


NO	DESCRIPTION	MATERIAL	Q'TY	FINISH	REMARK
1	BODY 1	BRASS	1	GOLD	B-SMA0086-G
2	BODY 2	BRASS	1	GOLD	B-SMB0795-G
3	INSULATION 1	TEFLON	1	TEFLON	I-0383T
4	PIN	BRASS	1	GOLD	P-SMB0554-G
5	INSULATION 2	TEFLON	1	TEFLON	I-0055T
6	WASHER	BRASS	1	GOLD	W-0009-G
7	NUT	BRASS	1	GOLD	N-0005-G



Nominal voltage: 250V

	<b>HUS-TSAN GROUP CO., LTD.</b> P.O.BOX 40-76.TAINAN.TAIWAN,R.O.C.		DRAWN <b>蘇姿潔</b> DATE <b>98.12.21</b>	DIMENSIONS ARE IN MILLIMETERS			REVISION	
	TITLE <b>SMB ANGLE MALE FOR PCB MOUNT RECEPTACLE Series SMB-07</b>		CHECKED <b>蘇志欣</b> DATE <b>98.12.21</b>	UNLESS OTHERWISE SPECIFIED TOLERANCE			DESCRIPTION	ENGINEER
	PART NO. <b>SMB-07V5-TGG</b>		Q.A. <b>莊千慧</b> DATE	0.5-5=±0.2	120-315=±1			
	DRAWING NO. <b>SMB 07V5 TGG</b>		APPROVAL <b>徐燦霖</b> DATE	5-30=±0.4	315-1000=±1.6			
			REVISION DATE	30-120±0.6	1000-2000=±2.4			
			SCALE <b>4:1</b>	SIZE <b>A</b>				

4 3 2 1