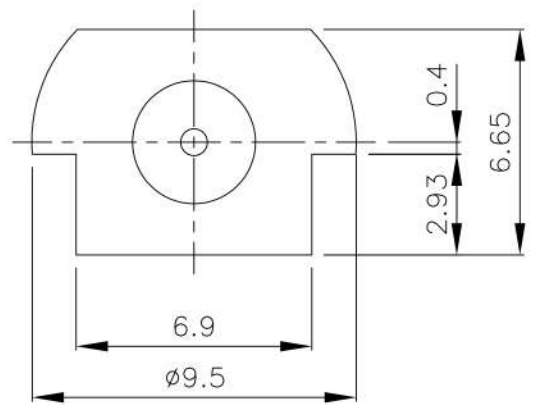
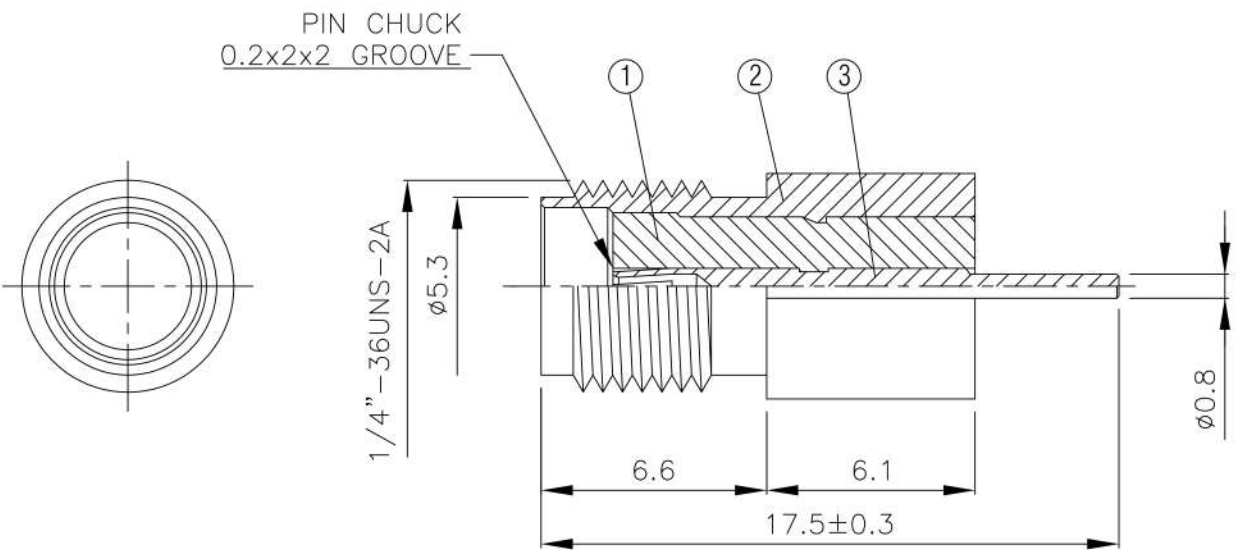
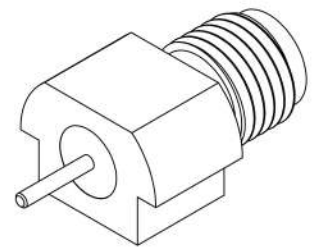
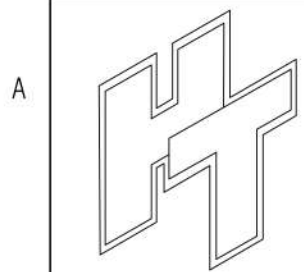


| NO | DESCRIPTION | MATERIAL | Q'TY | FINISH | REMARK |
|----|-------------|----------|------|--------|-------------|
| 1 | INSULATION | TEFLON | 1 | TEFLON | I-0016T |
| 2 | BODY | BRASS | 1 | GOLD | B-SMA0156-G |
| 3 | PIN | BE CU | 1 | GOLD | P-SMA0098-G |



Nominal voltage: 250V



HUS-TSAN GROUP CO., LTD.
P.O.BOX 40-76.TAINAN.TAIWAN,R.O.C.
TITLE SMA FEMALE END LAUNCH Series SMA-48
PART NO. SMA-48-TGG
DRAWING NO. SMA 48 TGG

DRAWN **徐睿謙** DATE 109.03.02
CHECKED **蘇姿潔** DATE
Q.A. **馮健華** DATE
APPROVAL **徐燦霖** DATE
REVISION DATE

DIMENSIONS ARE IN MILLIMETERS
UNLESS OTHERWISE SPECIFIED TOLERANCE
0.5-5=±0.2 120-315=±1
5-30= ±0.4 315-1000=±1.6
30-120±0.6 1000-2000=±2.4
SCALE 4:1 SIZE A

| REVISION | |
|-------------|----------|
| DESCRIPTION | ENGINEER |
| | |
| | |
| | |