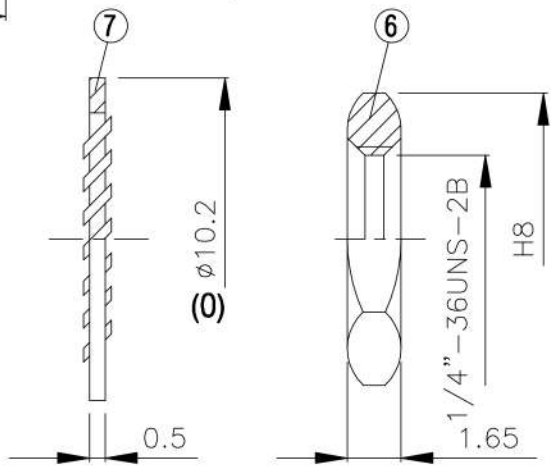
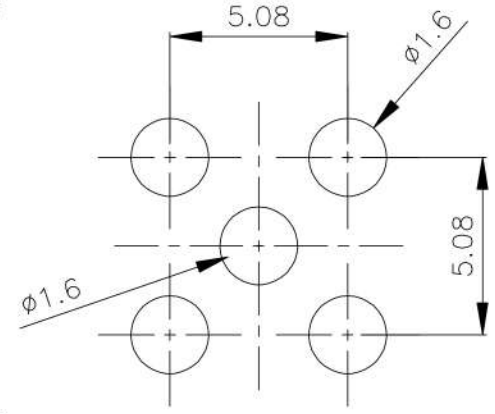
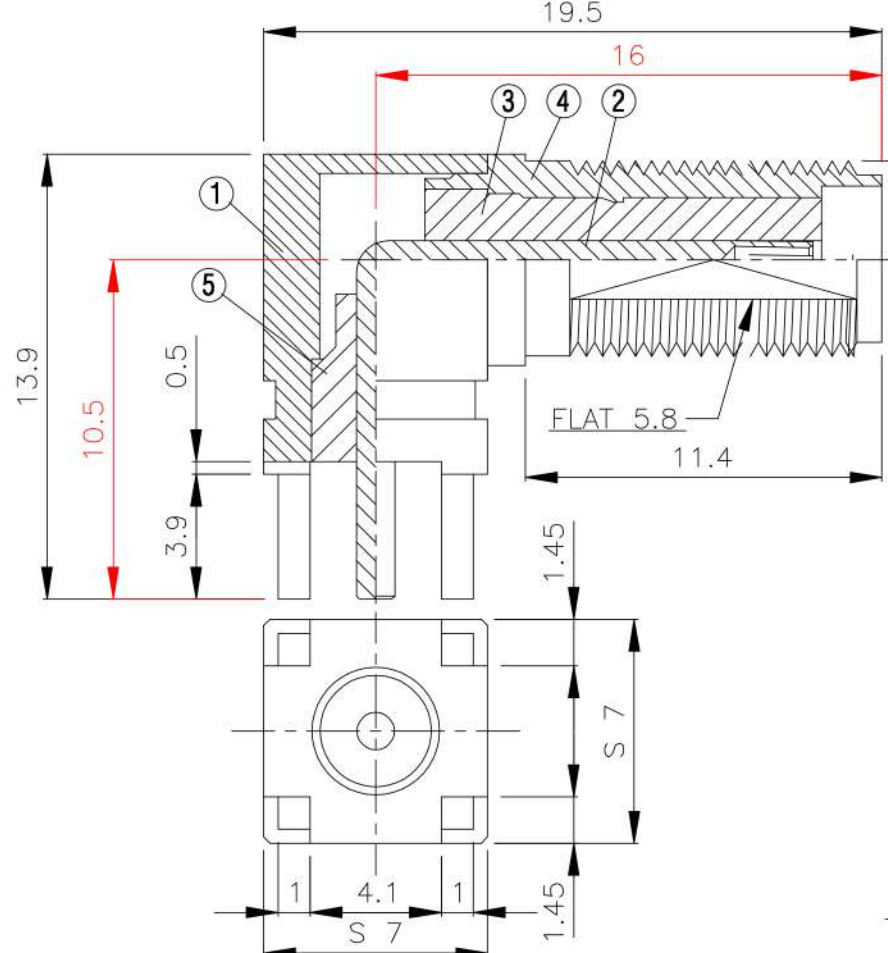
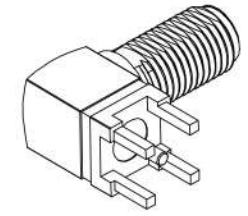
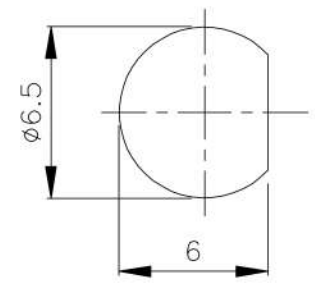
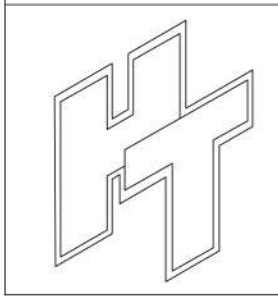


NO	DESCRIPTION	MATERIAL	Q'TY	FINISH	REMARK
1	BODY 1	BRASS	1	NICKEL	B-SMA0066-N
2	PIN	BE CU	1	GOLD	P-SMA0167-G
3	INSULATION 1	TEFLON	1	TEFLON	I-0198T
4	BODY 2	BRASS	1	NICKEL	B-SMA0145-N
5	INSULATION 2	TEFLON	1	TEFLON	I-0127T
6	NUT	BRASS	1	NICKEL	N-0006-N
7	WASHER	BRASS	1	NICKEL	W-0016-N



Nominal voltage: 250V



HUS-TSAN GROUP CO., LTD.
P.O.BOX 40-76.TAINAN.TAIWAN,R.O.C.
TITLE SMA FEMALE PCB MOUNT
Series SMA-11
PART NO. SMA-11V5-TGN
DRAWING NO. SMA 11V5 -TGN

DRAWN MARY **DATE** 96.03.15
CHECKED 蘇志欣 **DATE**
Q.A. 蘇姿潔 **DATE**
APPROVAL 徐燦霖 **DATE**
REVISION **DATE**

DIMENSIONS ARE IN MILLIMETERS
UNLESS OTHERWISE SPECIFIED TOLERANCE
0.5-5=±0.2 120-315=±1
5-30=±0.4 315-1000=±1.6
30-120±0.6 1000-2000=±2.4
SCALE 4:1 **SIZE** A

REVISION	
DESCRIPTION	ENGINEER