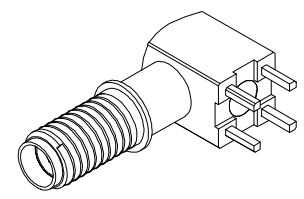
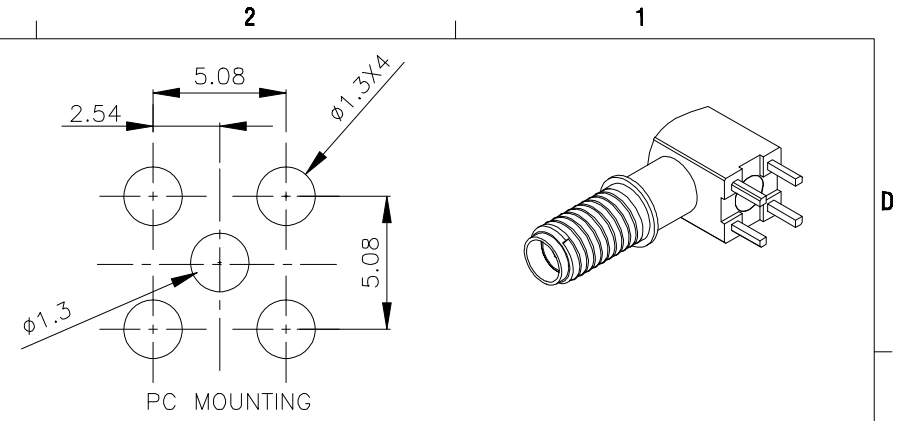
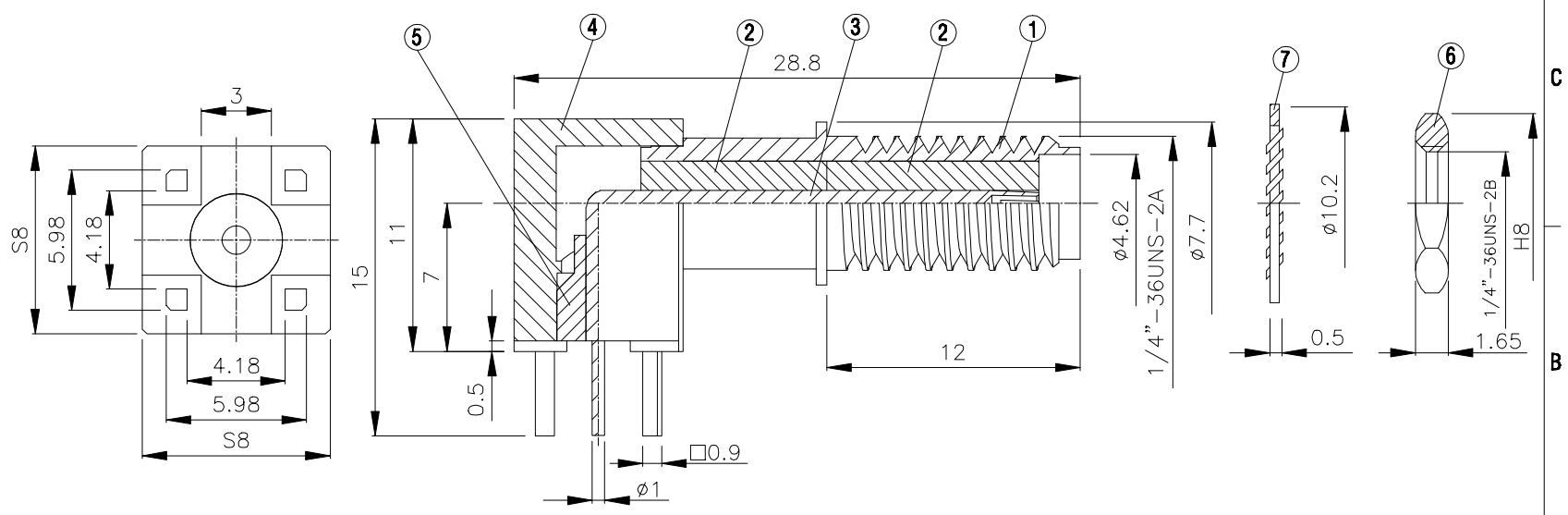
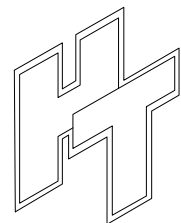






NO	DESCRIPTION	MATERIAL	Q'TY	FINISH	REMARK
1	BODY 1	BRASS	1	NICKEL	B-SMA1300-N
2	INSULATION 1	TEFLON	2	TEFLON	I-0617T
3	PIN	BE_CU	1	GOLD	P-SMA0897-G
4	BODY 2	BRASS	1	NICKEL	B-SMA1301-N
5	INSULATION 2	TEFLON	1	TEFLON	I-0127T
6	NUT	BRASS	1	NICKEL	N-0006-N
7	WASHER	BRASS	1	NICKEL	W-0016



D
C
B
A



	HUS-TSAN GROUP CO., LTD. P.O. BOX 40-76.TAINAN.TAIWAN,R.O.C.	DRAWN  DATE 97.07.23	DIMENSIONS ARE IN MILLIMETERS		REVISION	
	TITLE SMA FEMALE PCB MOUNT PART NO. SMA-11V21-TGN DRAWING NO. SMA 11V21 -TGN	CHECKED  DATE	UNLESS OTHERWISE SPECIFIED TOLERANCE		DESCRIPTION	ENGINEER
		Q.A.  DATE	0.5-5=±0.2 120-315=±1			
		APPROVAL  DATE	5-30= ±0.4 315-1000=±1.6			
		REVISION DATE	30-120±0.6 1000-2000=±2.4			
		SCALE	4:1	SIZE	A	

4 3 2 1