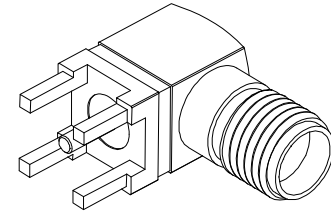
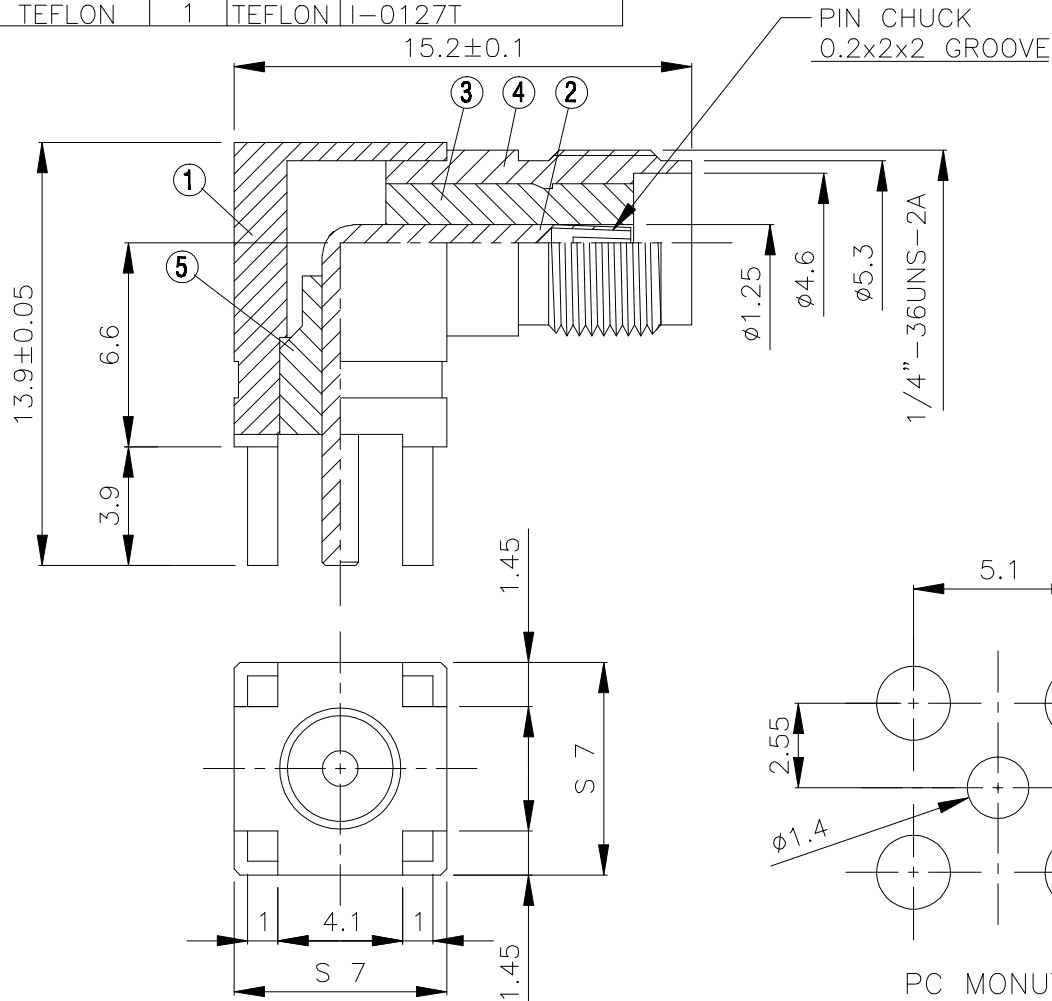
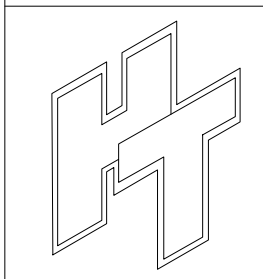


NO	DESCRIPTION	MATERIAL	Q'TY	FINISH	REMARK
1	BODY	BRASS	1	NICKEL	B-SMA0066-N
2	PIN	BRASS	1	GOLD	P-SMA0066-G
3	INSULATION	TEFLON	1	TEFLON	I-0126T
4	BODY	BRASS	1	NICKEL	B-SMA0065-N
5	INSULATION	TEFLON	1	TEFLON	I-0127T



Nominal voltage: 250V



**HUS-TSAN GROUP CO., LTD.**  
P.O.BOX 40-76.TAINAN.TAIWAN,R.O.C.  
**TITLE SMA FEMALE PCB MOUNT SMA-11**  
**PART NO. SMA-11-TGN**  
**DRAWING NO. SMA-11-TGN**

**DRAWN MARY** **DATE 96.04.16**  
**CHECKED 蘇志欣** **DATE 97.05.02**  
**Q.A. 蘇姿潔** **DATE**  
**APPROVAL 徐燦霖** **DATE**  
**REVISION** **DATE**

**DIMENSIONS ARE IN MILLIMETERS**  
**UNLESS OTHERWISE SPECIFIED TOLERANCE**  
0.5-5=±0.2 120-315=±1  
5-30=±0.4 315-1000=±1.6  
30-120=±0.6 1000-2000=±2.4  
**SCALE 4:1** **SIZE A**

REVISION	
DESCRIPTION	ENGINEER