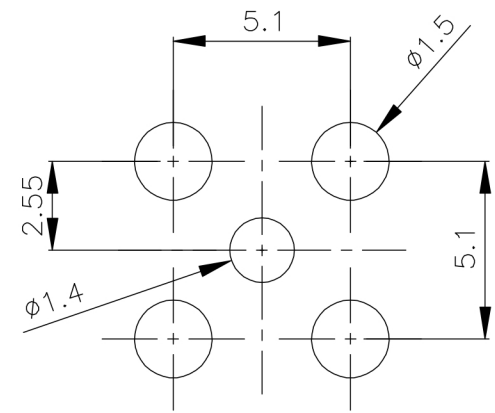
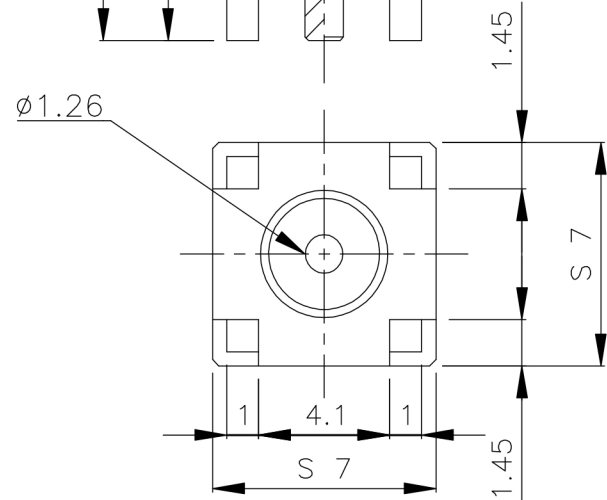
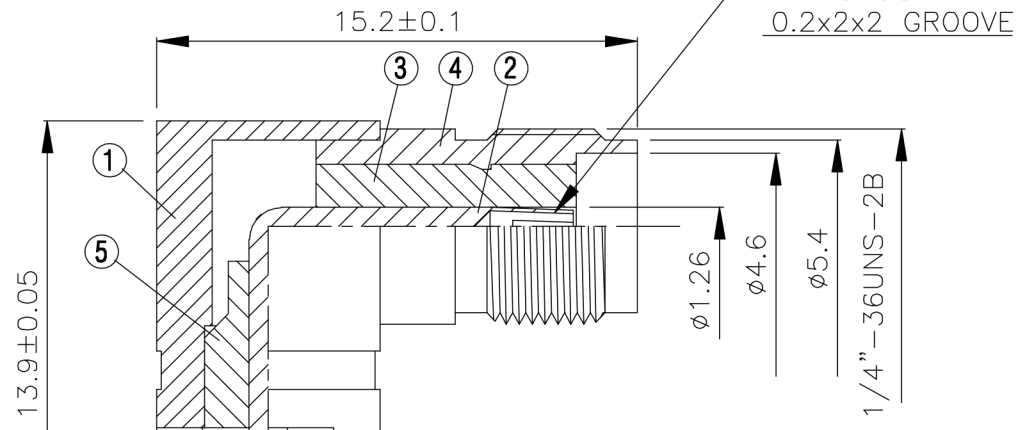
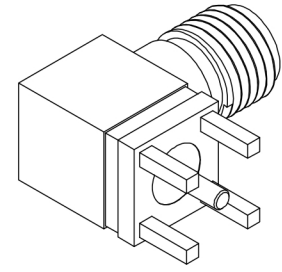


NO	DESCRIPTION	MATERIAL	Q'TY	FINISH	REMARK
1	BODY	BRASS	1	GOLD	B-SMA0066-G
2	PIN	BRASS	1	GOLD	P-SMA0066-G
3	INSULATION	TEFLON	1	TEFLON	I-0126T
4	BODY	BRASS	1	GOLD	B-SMA0065-G
5	INSULATION	TEFLON	1	TEFLON	I-0127T



Nominal voltage: 250V

	HUS-TSAN GROUP CO., LTD.		DRAWN 蘇姿潔 CHECKED 蘇志欣 Q.A. 林妙樺 APPROVAL 徐燦霖 REVISION	DATE 98.10.23 DATE DATE DATE DATE	DIMENSIONS ARE IN MILLIMETERS UNLESS OTHERWISE SPECIFIED TOLERANCE 0.5-5=±0.2 120-315=±1 5-30=±0.4 315-1000=±1.6 30-120±0.6 1000-2000=±2.4	REVISION	
	P.O.BOX 40-76.TAINAN.TAIWAN,R.O.C.					DESCRIPTION	ENGINEER
	TITLE SMA FEMALE PCB MOUNT SMA-11						
	PART NO. SMA-11-TGG						
	DRAWING NO. SMA 11 TGG						
SCALE 4:1		SIZE A					