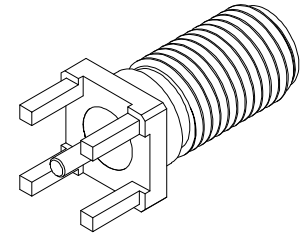
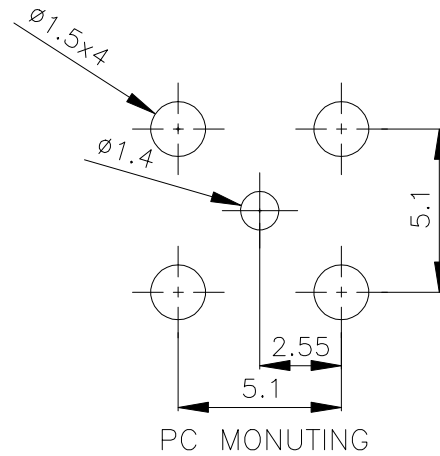
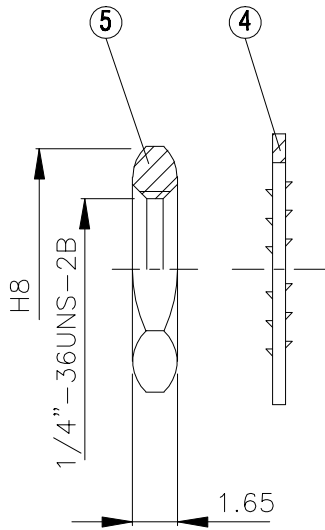


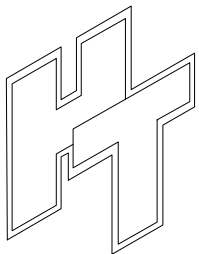
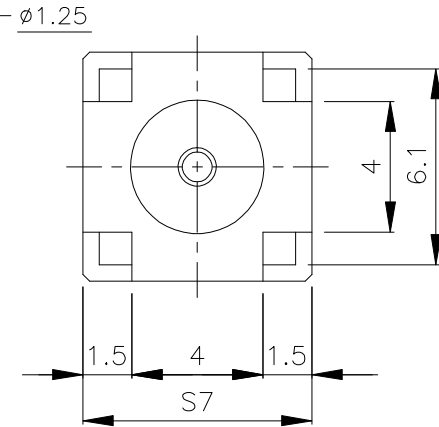
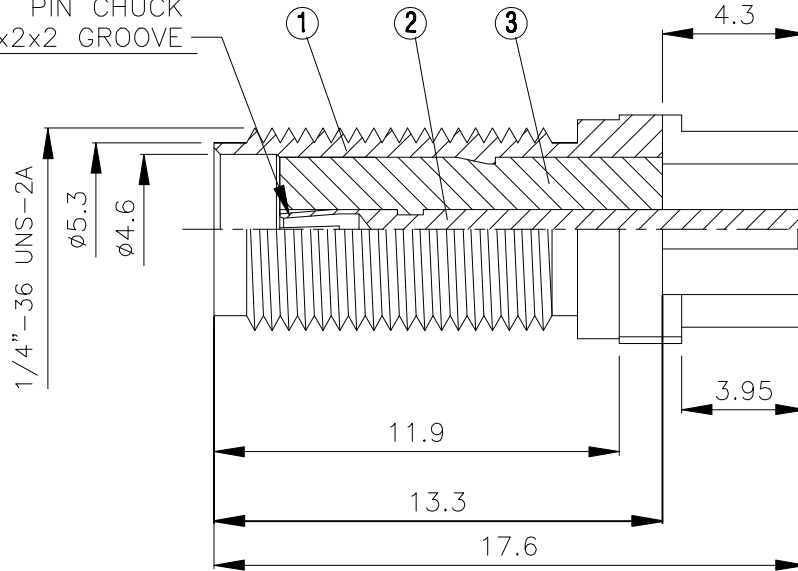
NO	DESCRIPTION	MATERIAL	Q'TY	FINISH	REMARK
1	BODY	BRASS	1	NICKEL	B-SMA0314-N
2	PIN	BE CU	1	GOLD	P-SMA0230-G
3	INSULATION	TEFLON	1	TEFLON	I-0149T
4	WASHER	BRASS	1	NICKEL	W-0016-N
5	NUT	BRASS	1	NICKEL	N-0006-N



PC MOUNTING



PIN CHUCK  
0.2x2x2 GROOVE



HUS-TSAN GROUP CO., LTD.

P.O.BOX 40-76.TAINAN.TAIWAN,R.O.C.

TITLE  
SMA FEMALE PCB MOUNT

PART NO.  
SMA-10V23-TGN

DRAWING NO. SMA 10V23 TGN

DRAWN MARY DATE 96.03.27

CHECKED 蘇志欣 DATE

Q.A. 蘇姿潔 DATE

APPROVAL 徐燦霖 DATE

REVISION DATE

DIMENSIONS ARE IN MILLIMETERS

UNLESS OTHERWISE SPECIFIED  
TOLERANCE

0.5-5=±0.2	120-315=±1
5-30=±0.4	315-1000=±1.6
30-120=±0.6	1000-2000=±2.4

SCALE 4:1 SIZE A

REVISION

DESCRIPTION	ENGINEER