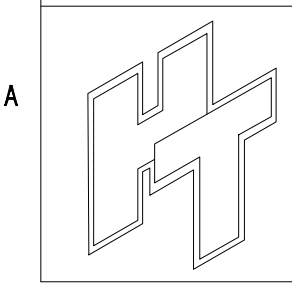
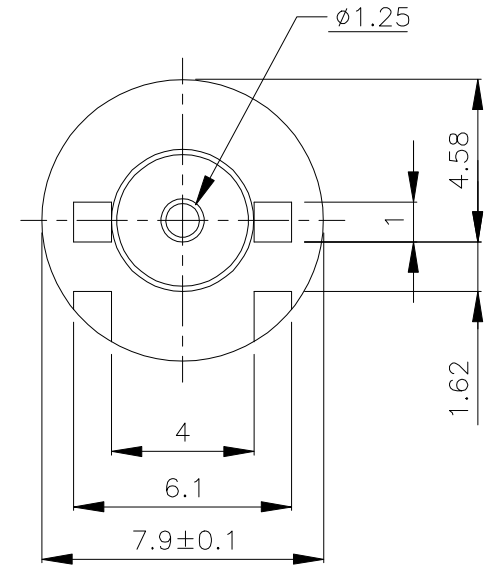
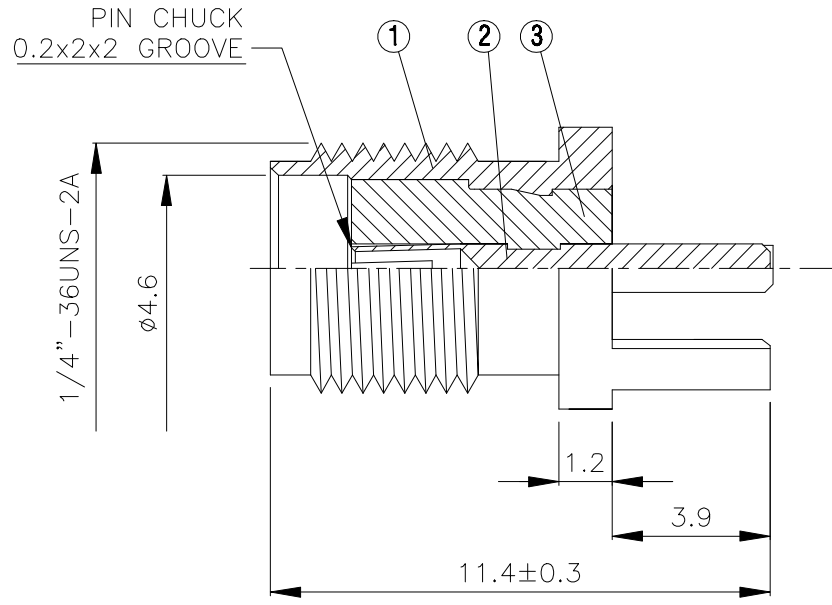
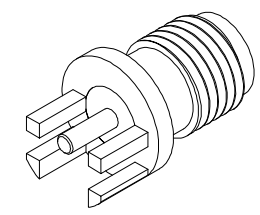


NO	DESCRIPTION	MATERIAL	Q'TY	FINISH	REMARK
1	BODY	BRASS	1	NICKEL	B-SMA0336-N
2	PIN	BE CU	1	GOLD	P-SMA0205-G
3	INSULATION	TEFLON	1	TEFLON	I-0162T



HUS-TSAN GROUP CO., LTD.
P.O.BOX 40-76.TAINAN.TAIWAN,R.O.C.
TITLE SMA FEMALE END LAUNCH
PART NO. **SMA-10V17-TGN**
DRAWING NO. **SMA 10V17 TGN**

DRAWN **MARY** DATE **90.11.20**
CHECKED **蘇姿潔** DATE **90.11.20**
Q.A. **馮健華** DATE
APPROVAL **徐燦霖** DATE
REVISION DATE

DIMENSIONS ARE IN MILLIMETERS
UNLESS OTHERWISE SPECIFIED TOLERANCE
0.5-5=±0.2 120-315=±1
5-30=±0.4 315-1000=±1.6
30-120=±0.6 1000-2000=±2.4
SCALE 4:1 SIZE A

REVISION	
DESCRIPTION	ENGINEER

4

3

2

1