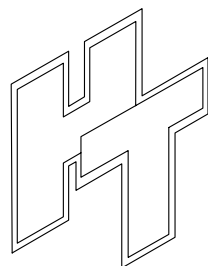
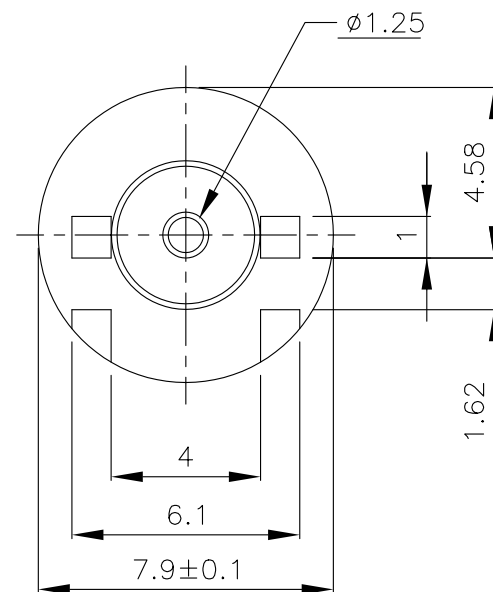
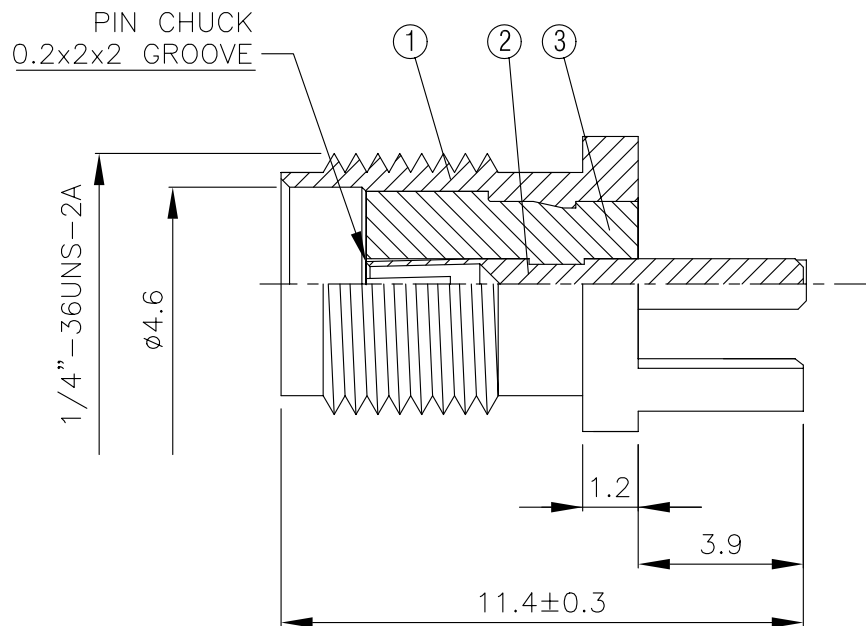
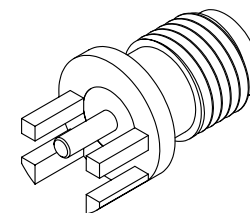


NO	DESCRIPTION	MATERIAL	Q'TY	FINISH	REMARK
1	BODY	BRASS	1	GOLD	B-SMA0336-G
2	PIN	BE CU	1	GOLD	P-SMA0205-G
3	INSULATION	TEFLON	1	TEFLON	I-0162T



HUS-TSAN GROUP CO., LTD.

P.O. BOX 40-76. TAINAN. TAIWAN, R.O.C.

TITLE SMA FEMALE END LAUNCH

PART NO. SMA-10V17-TGG

DRAWING NO. SMA 10V17 TGG

DRAWN MARY DATE 90.11.20

CHECKED 蘇姿潔 DATE 90.11.20

Q.A. 馮健華 DATE

APPROVAL 徐燦霖 DATE

REVISION DATE

DIMENSIONS ARE IN MILLIMETERS

UNLESS OTHERWISE SPECIFIED TOLERANCE

0.5-5=±0.2 120-315=±1
5-30=±0.4 315-1000=±1.6
30-120±0.6 1000-2000=±2.4

SCALE 4:1 SIZE A

REVISION

DESCRIPTION ENGINEER