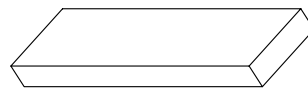
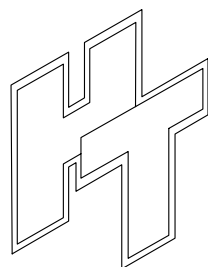
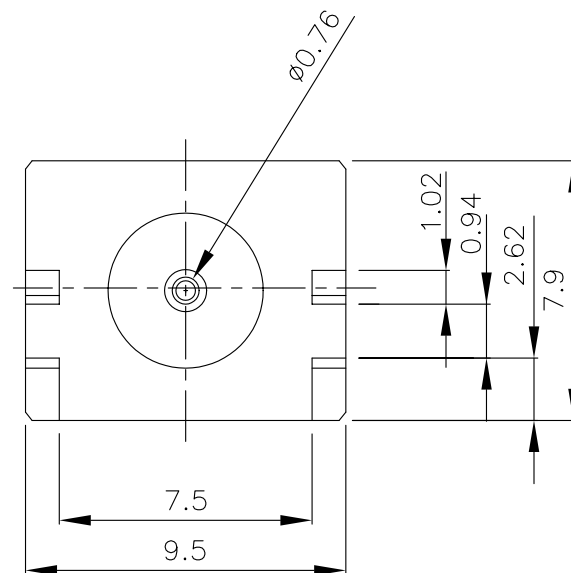
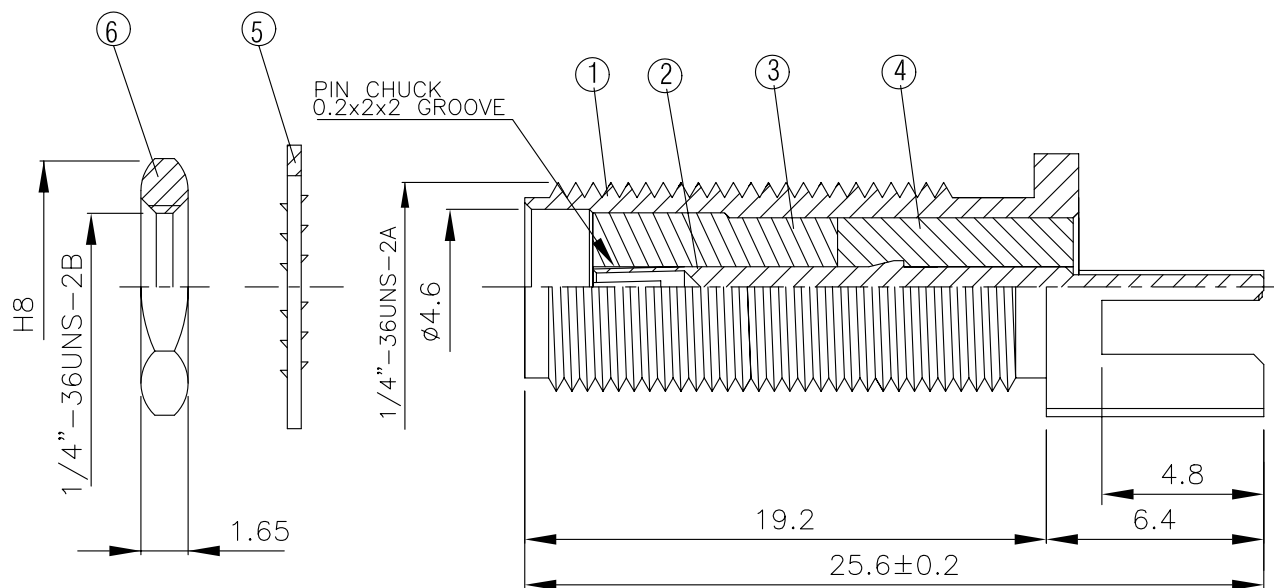
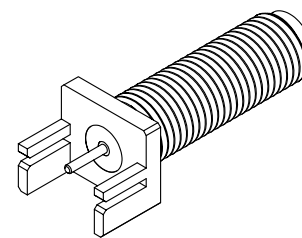


NO	DESCRIPTION	MATERIAL	Q'TY	FINISH	REMARK
1	BODY	BRASS	1	NICKEL	B-SMA0620-N
2	PIN	BE CU	1	GOLD	P-SMA0407-G
3	INSULATION 1	TEFLON	1	TEFLON	I-0289T
4	INSULATION 2	TEFLON	1	TEFLON	I-0318T
5	WASHER	BRASS	1	NICKEL	W-0016-N
6	NUT	BRASS	1	NICKEL	N-0006-N



TAB CONTACT (BOARD THICKNESS 0.79)



HUS-TSAN GROUP CO., LTD.

P.O. BOX 40-76. TAINAN. TAIWAN, R.O.C.

TITLE SMA FEMALE END LAUNCH

PART NO. SMA-10V16-TGN

DRAWING NO. SMA 10V16 TGN

DRAWN MARY DATE 96.03.15

CHECKED 蘇安潔 DATE

Q.A. 張育誌 DATE

APPROVAL 馮健華 DATE

REVISION DATE

DIMENSIONS ARE IN MILLIMETERS

UNLESS OTHERWISE SPECIFIED TOLERANCE

0.5-5=±0.2 120-315=±1  
5-30=±0.4 315-1000=±1.6  
30-120±0.6 1000-2000=±2.4

SCALE 4:1 SIZE A

REVISION

DESCRIPTION ENGINEER