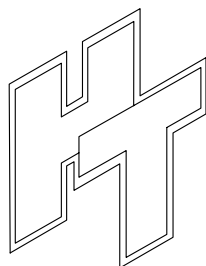
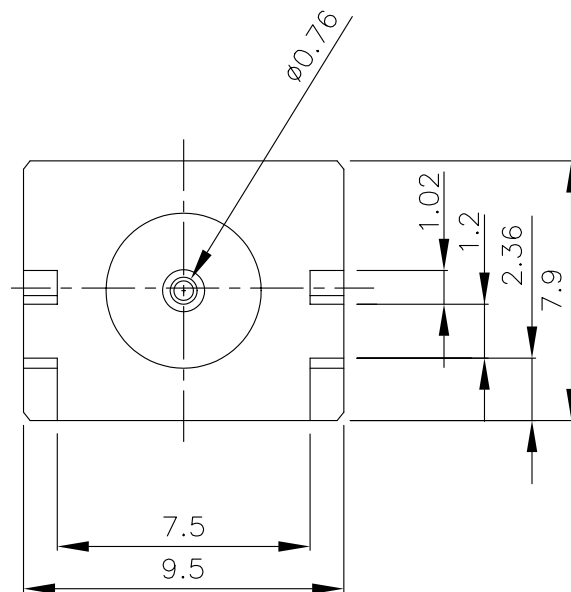
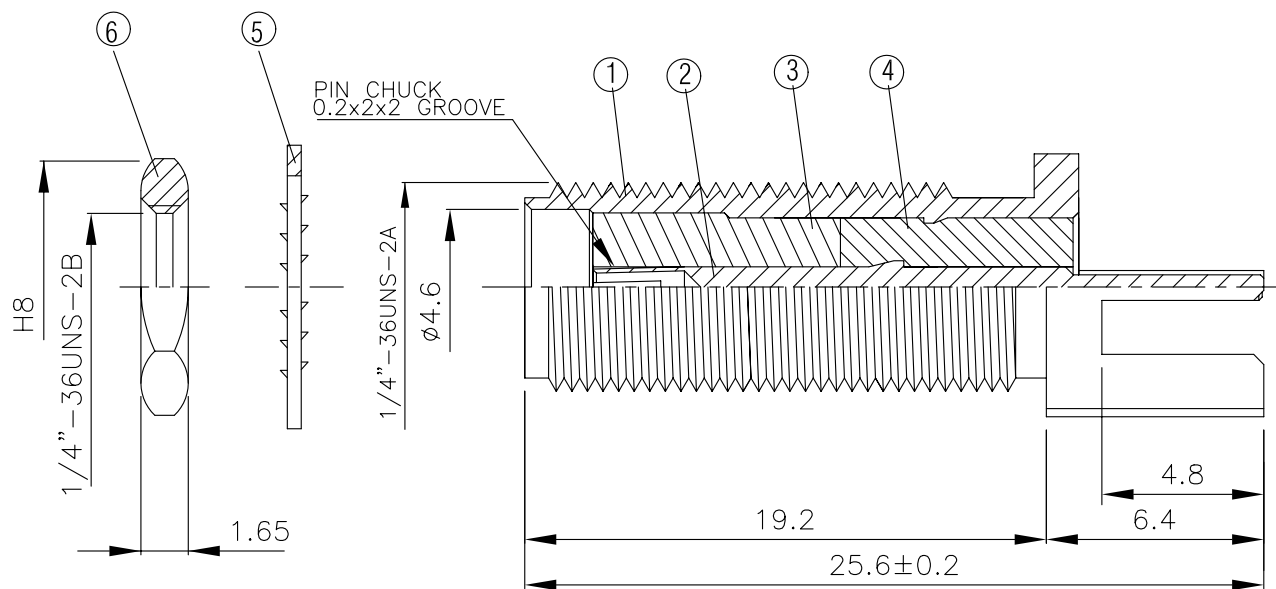
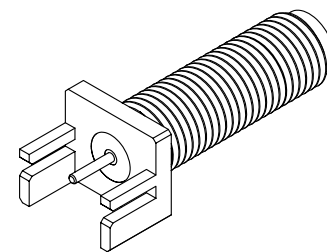


NO	DESCRIPTION	MATERIAL	QTY	FINISH	REMARK
1	BODY	BRASS	1	NICKEL	B-SMA0619-N
2	PIN	BE CU	1	GOLD	P-SMA0407-G
3	INSULATION	TEFLON	1	TEFLON	I-0289T
4	INSULATION	TEFLON	1	TEFLON	I-0318T
5	WASHER	BRASS	1	NICKEL	W-0016-N
6	NUT	BRASS	1	NICKEL	N-0006-N



HUS-TSAN GROUP CO., LTD.

P.O. BOX 40-76. TAINAN, TAIWAN, R.O.C.

TITLE SMA FEMALE END LAUNCH
TAB CONTACT (BOARD THICKNESS 1.07)

PART NO. SMA-10V15-TGN

DRAWING NO. SMA 10V15 TGN

DRAWN MARY DATE 96.03.27

CHECKED 蘇姿潔 DATE

Q.A. 張育誌 DATE

APPROVAL 馮健華 DATE

REVISION DATE

DIMENSIONS ARE IN MILLIMETERS

UNLESS OTHERWISE SPECIFIED
TOLERANCE

0.5-5=±0.2	120-315=±1
5-30=±0.4	315-1000=±1.6
30-120±0.6	1000-2000=±2.4

SCALE 4:1 SIZE A

REVISION

DESCRIPTION	ENGINEER