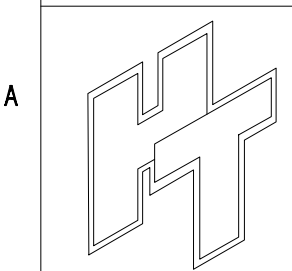
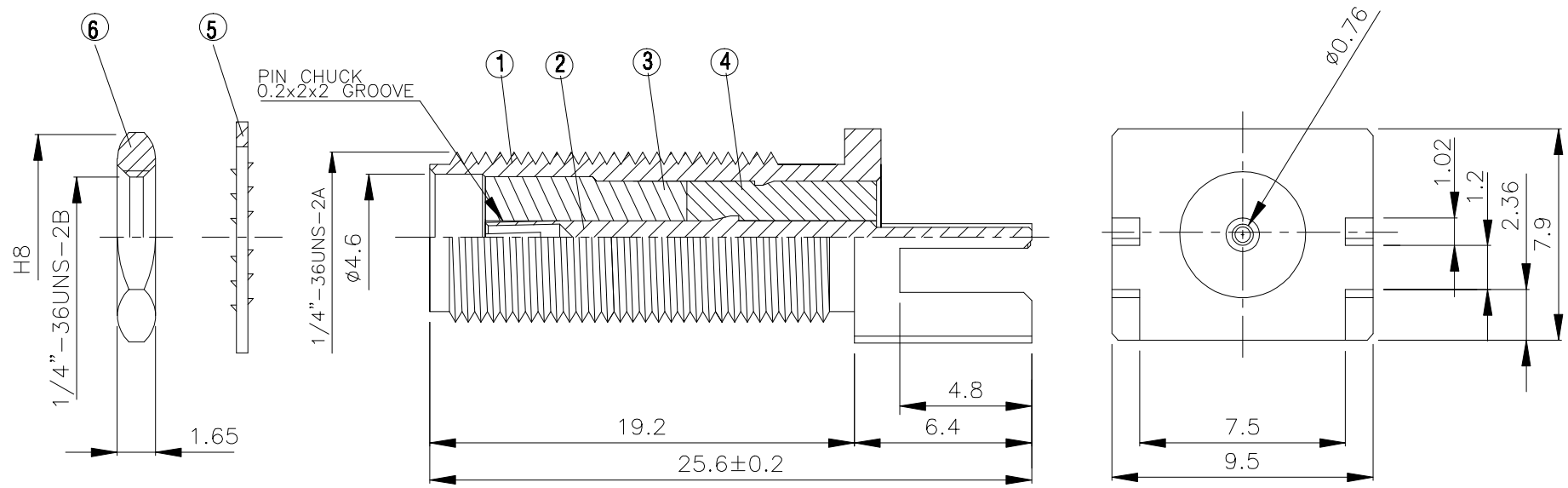
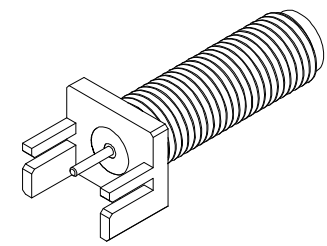


NO	DESCRIPTION	MATERIAL	Q'TY	FINISH	REMARK
1	BODY	BRASS	1	GOLD	B-SMA0619-G
2	PIN	BE CU	1	GOLD	P-SMA0407-G
3	INSULATION	TEFLON	1	TEFLON	I-0289T
4	INSULATION	TEFLON	1	TEFLON	I-0318T
5	WASHER	BRASS	1	GOLD	W-0016-G
6	NUT	BRASS	1	GOLD	N-0006-G



**HUS-TSAN GROUP CO., LTD.**  
P.O.BOX 40-76.TAINAN.TAIWAN,R.O.C.  
**TITLE SMA FEMALE END LAUNCH**  
TAB CONTACT (BOARD THICKNESS 1.07)  
**PART NO. SMA-10V15-TGG**  
**DRAWING NO. SMA 10V15 TGG**

**DRAWN MARY** **DATE 96.03.27**  
**CHECKED 蘇姿潔** **DATE**  
**Q.A. 張育誌** **DATE**  
**APPROVAL 馮健華** **DATE**  
**REVISION** **DATE**

**DIMENSIONS ARE IN MILLIMETERS**  
**UNLESS OTHERWISE SPECIFIED TOLERANCE**  
0.5-5=±0.2    120-315=±1  
5-30=±0.4    315-1000=±1.6  
30-120=±0.6    1000-2000=±2.4  
**SCALE 4:1**    **SIZE A**

REVISION	
DESCRIPTION	ENGINEER

4

3

2

1

A

A