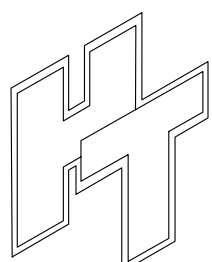
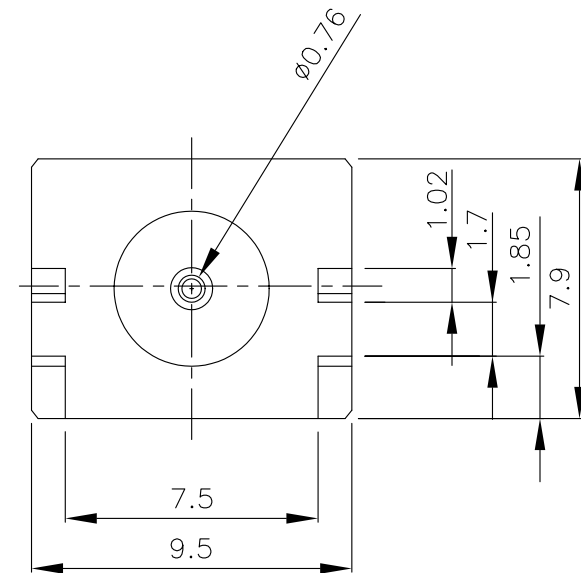
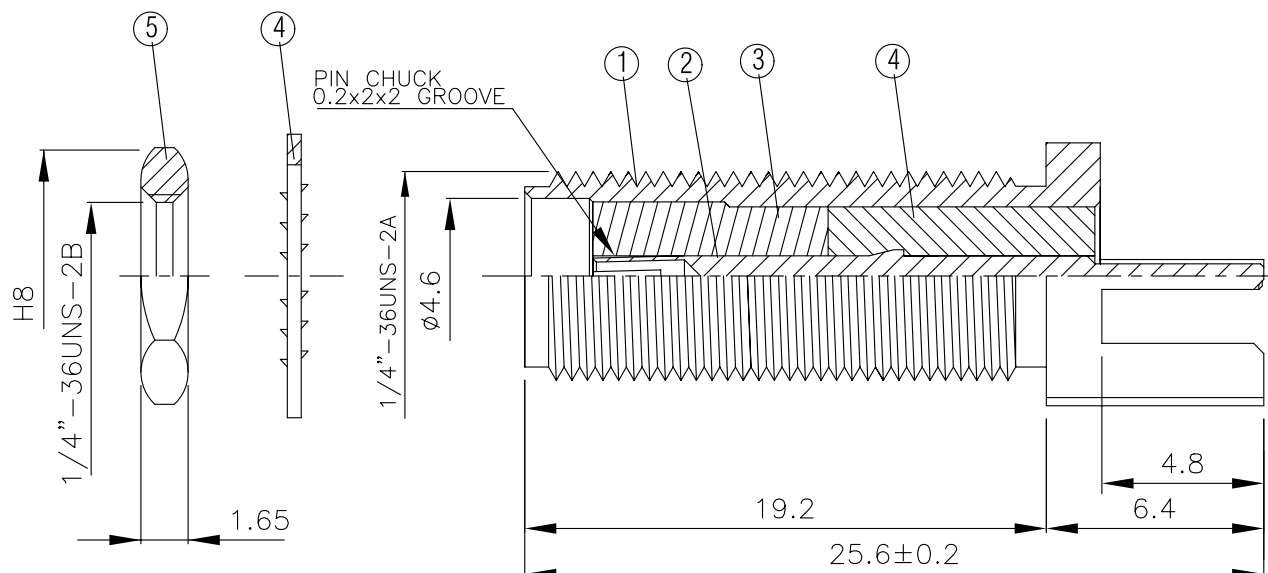
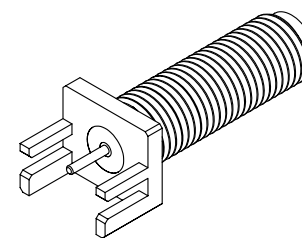


NO	DESCRIPTION	MATERIAL	Q'TY	FINISH	REMARK
1	BODY	BRASS	1	NICKEL	B-SMA0618-N
2	PIN	BE CU	1	GOLD	P-SMA0407-G
3	INSULATION 1	TEFLON	1	TEFLON	I-0289T
4	INSULATION 2	TEFLON	1	TEFLON	I-0318T
5	WASHER	BRASS	1	NICKEL	W-0016-N
	NUT	BRASS		NICKEL	N-0006-N



**HUS-TSAN GROUP CO., LTD.**  
P.O. BOX 40-76. TAINAN, TAIWAN, R.O.C.  
**TITLE SMA FEMALE END LAUNCH**  
TAB CONTACT (BOARD THICKNESS 1.57)  
**PART NO. SMA-10V14-TGN**  
**DRAWING NO. SMA 10V14 TGN**

**DRAWN** MARY **DATE** 96.03.27  
**CHECKED** 黃巧君 **DATE**  
**Q.A.** 蘇姿潔 **DATE**  
**APPROVAL** 徐燦霖 **DATE**  
**REVISION** **DATE**

**DIMENSIONS ARE IN MILLIMETERS**  
UNLESS OTHERWISE SPECIFIED  
TOLERANCE  
0.5-5=±0.2 120-315=±1  
5-30=±0.4 315-1000=±1.6  
30-120±0.6 1000-2000=±2.4  
**SCALE** 4:1 **SIZE** A

**REVISION**  
**DESCRIPTION** **ENGINEER**