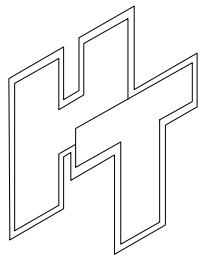
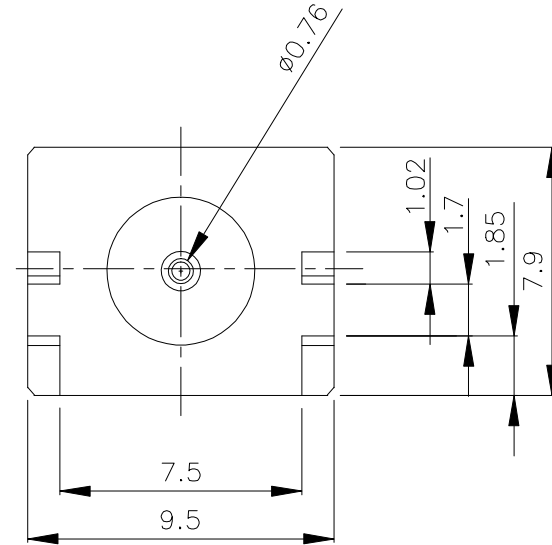
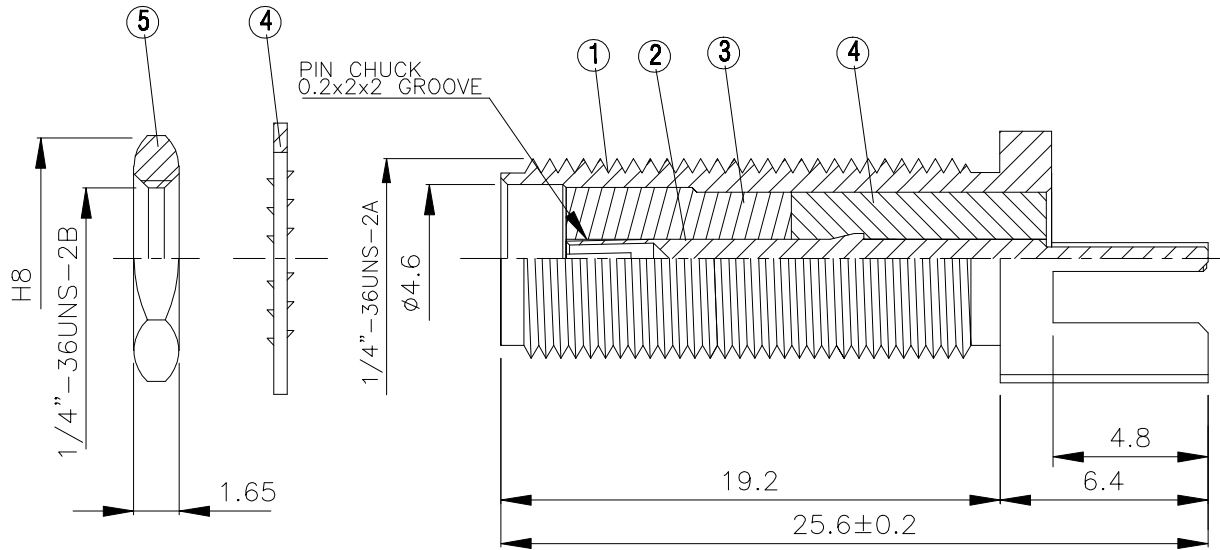
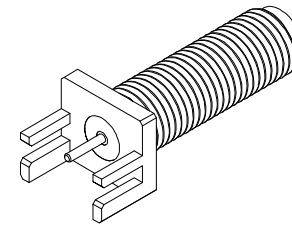


NO	DESCRIPTION	MATERIAL	Q'TY	FINISH	REMARK
1	BODY	BRASS	1	GOLD	B-SMA0618-G
2	PIN	BE CU	1	GOLD	P-SMA0407-G
3	INSULATION 1	TEFLON	1	TEFLON	I-0340T
4	INSULATION 2	TEFLON	1	TEFLON	I-0318T
5	WASHER	BRASS	1	GOLD	W-0016-G
	NUT	BRASS	1	GOLD	N-0006-G



HUS-TSAN GROUP CO., LTD.
P.O. BOX 40-76. TAINAN. TAIWAN, R.O.C.
TITLE SMA FEMALE END LAUNCH
TAB CONTACT (BOARD THICKNESS 1.57)
PART NO. SMA-10V14-TGG
DRAWING NO. SMA 10V14 TGG

DRAWN MARY **DATE** 96.03.27
CHECKED 黃巧君 **DATE**
Q.A. 蘇姿潔 **DATE**
APPROVAL 徐燦霖 **DATE**
REVISION **DATE**

DIMENSIONS ARE IN MILLIMETERS
UNLESS OTHERWISE SPECIFIED TOLERANCE
0.5-5=±0.2 120-315=±1
5-30=±0.4 315-1000=±1.6
30-120=±0.6 1000-2000=±2.4
SCALE 4:1 **SIZE** A

REVISION	
DESCRIPTION	ENGINEER