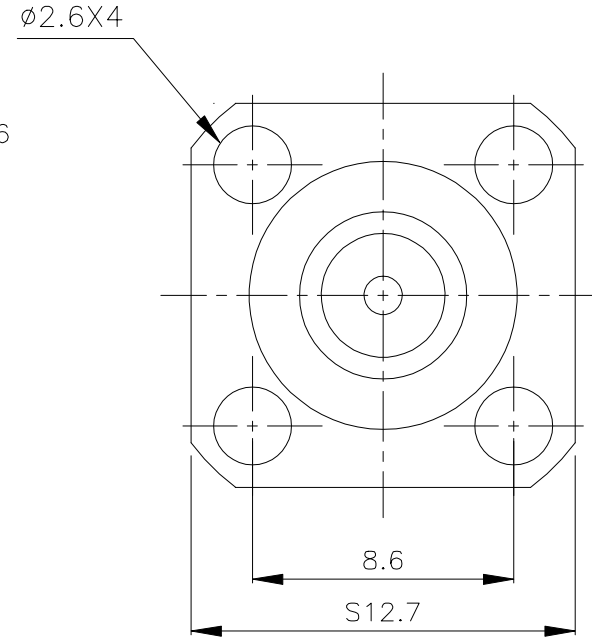
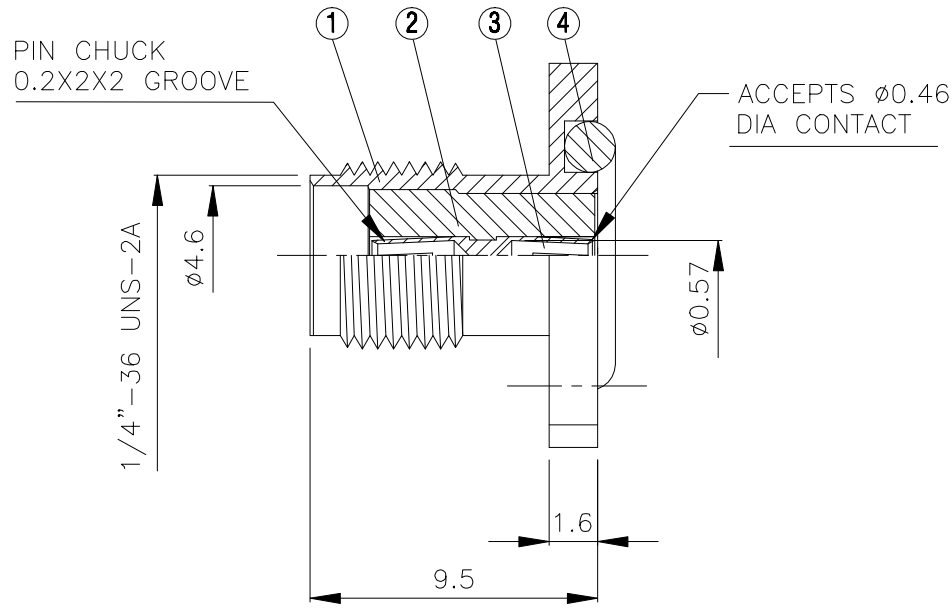
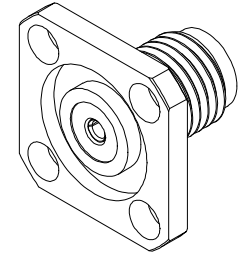


NO	DESCRIPTION	MATERIAL	Q'TY	FINISH	REMARK
1	BODY	BRASS	1	NICKEL	B-SMA0685-N
2	INSULATION	TEFLON	1	TEFLON	I-0114T
3	PIN	BE CU	1	GOLD	P-SMA0713-G
3	GASKET	RUBBER	1	RUBBER	RU-0014



	HUS-TSAN GROUP CO., LTD.		DRAWN	MARY	DATE	94.11.15	DIMENSIONS ARE IN MILLIMETERS		REVISION			
	P.O.BOX 40-76.TAINAN.TAIWAN,R.O.C.		CHECKED	沈佳德	DATE	94.11.15			UNLESS OTHERWISE SPECIFIED TOLERANCE		DESCRIPTION	ENGINEER
	TITLE SMA FEMALE LAUNCHERS WITH TRANSITION PINS		Q.A.	蘇姿潔	DATE		0.5-5=±0.2	120-315=±1				
	PART NO. SMA-07V12-TGN-3		APPROVAL	徐燦霖	DATE		5-30=±0.4	315-1000=±1.6				
	DRAWING NO. SMA-07V12-TGN-3		REVISION		DATE		30-120=±0.6	1000-2000=±2.4				
						SCALE	4:1	SIZE	A			

4

3

2

1