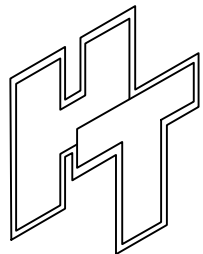
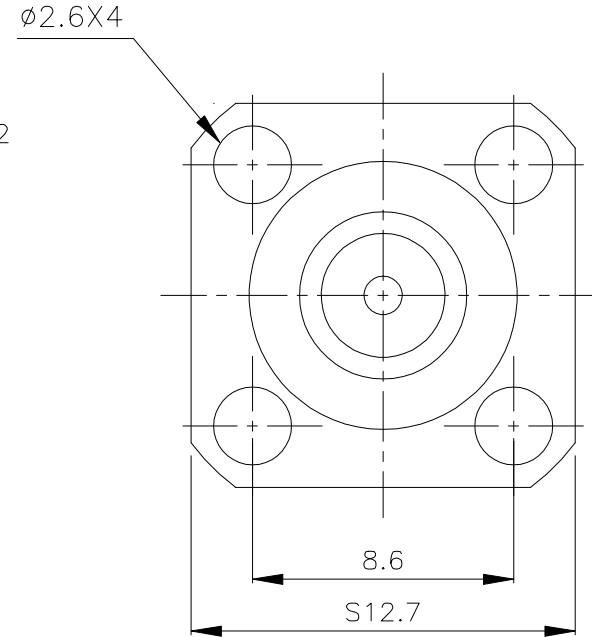
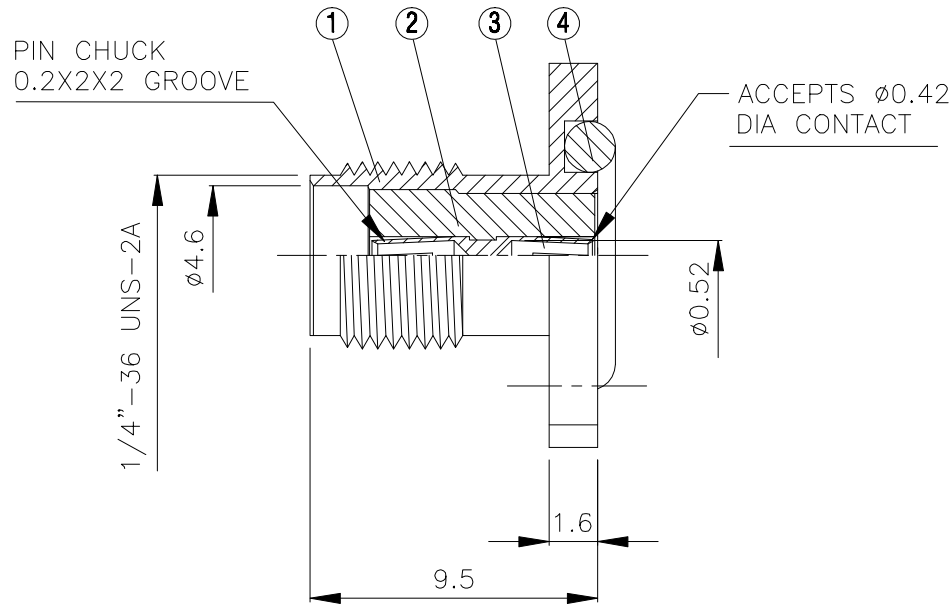
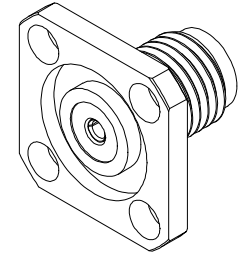


NO	DESCRIPTION	MATERIAL	Q'TY	FINISH	REMARK
1	BODY	BRASS	1	NICKEL	B-SMA0685-N
2	INSULATION	TEFLON	1	TEFLON	I-0114T
3	PIN	BE CU	1	GOLD	P-SMA0712-G
3	GASKET	RUBBER	1	RUBBER	RU-0014



HUS-TSAN GROUP CO., LTD.

P.O. BOX 40-76. TAINAN. TAIWAN, R.O.C.

TITLE SMA FEMALE LAUNCHERS WITH TRANSITION PINS

PART NO. SMA-07V12-TGN-2

DRAWING NO. SMA-07V12-TGN-2

DRAWN MARY DATE 94.11.15

CHECKED 沈佳德 DATE 94.11.15

Q.A. 蘇姿潔 DATE

APPROVAL 徐燦霖 DATE

REVISION DATE

DIMENSIONS ARE IN MILLIMETERS

UNLESS OTHERWISE SPECIFIED TOLERANCE

0.5-5=±0.2 120-315=±1
5-30=±0.4 315-1000=±1.6
30-120=±0.6 1000-2000=±2.4

SCALE 4:1 SIZE A

REVISION

DESCRIPTION ENGINEER

D

D

C

C

B

B

A

A

4

3

2

1