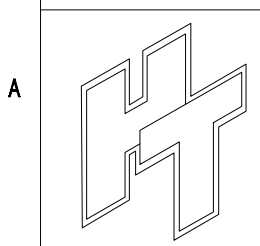
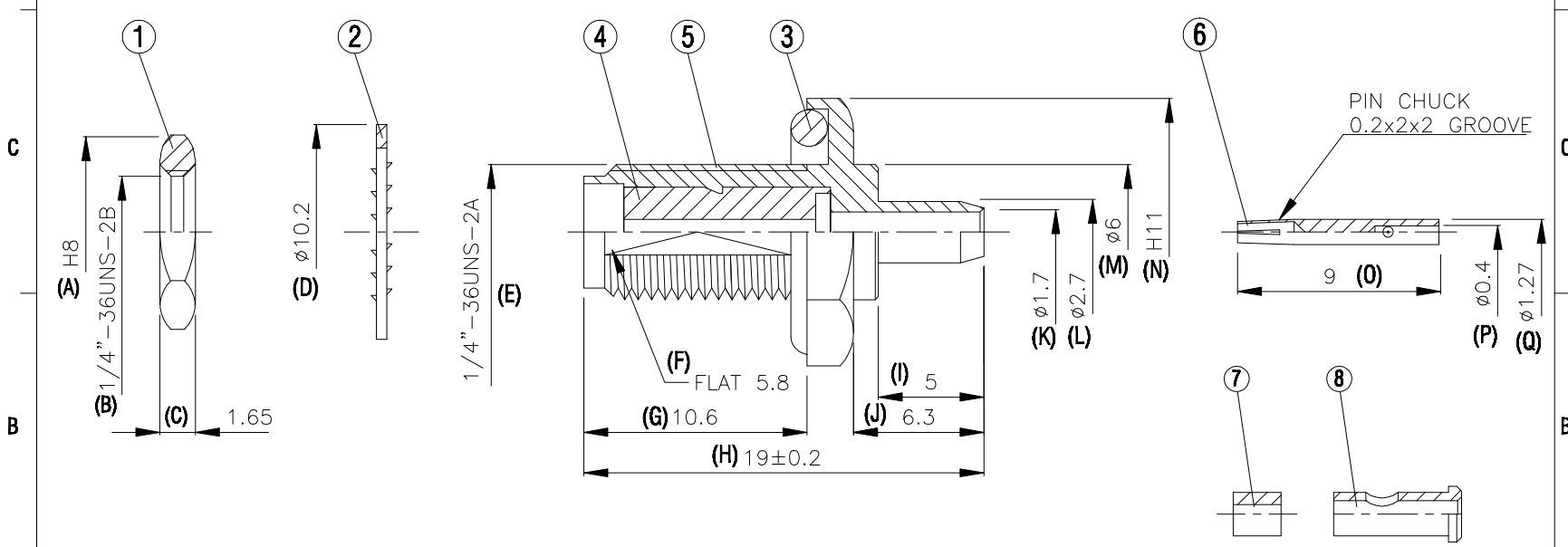
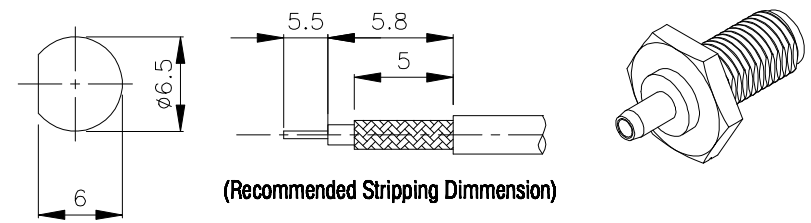


NO	DESCRIPTION	MATERIAL	Q'TY	FINISH	REMARK
1	NUT	BRASS	1	GOLD	N-0006-G
2	WASHER	BRASS	1	GOLD	W-0016-G
3	GASKET	SI RUBBER	1	RUBBER	RU-0014
4	INSULATION	TEFLON	1	TEFLON	I-0131T
5	BODY	BRASS	1	GOLD	B-SMA0205-G
6	PIN	BE CU	1	GOLD	P-SMA0064-G
7	INSULATION	TEFLON	1	TEFLON	I-0256T
8	BODY	BRASS	1	GOLD	B-SMA0473-G



HUS-TSAN GROUP CO., LTD.
P.O. BOX 40-76. TAINAN. TAIWAN. R.O.C.
TITLE SMA FEMALE CRIMP FOR 178/U
PART NO. SMA-05M-TGG
DRAWING NO. SMA 05M TGG

DRAWN MARY **DATE 96.03.19**
CHECKED 蘇志欣 **DATE**
Q.A. 蘇姿潔 **DATE**
APPROVAL 徐燦霖 **DATE**
REVISION **DATE**

DIMENSIONS ARE IN MILLIMETERS
UNLESS OTHERWISE SPECIFIED TOLERANCE
0.5-5=±0.2 120-315=±1
5-30=±0.4 315-1000=±1.6
30-120±0.6 1000-2000=±2.4
SCALE 4:1 **SIZE A**

REVISION	
DESCRIPTION	ENGINEER

4

3

2

1

A

A