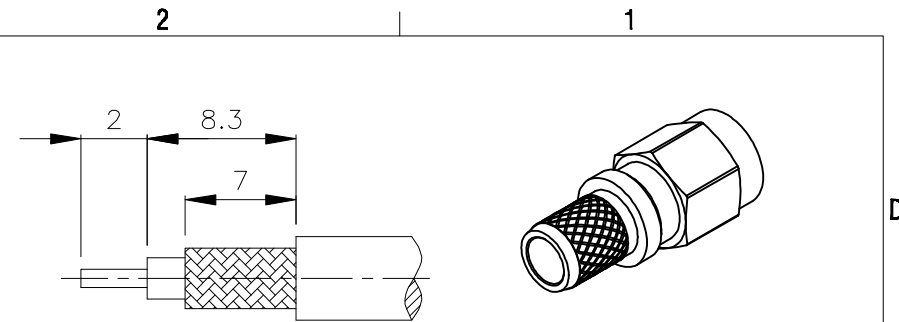


4				3	
NO	DESCRIPTION	MATERIAL	Q'TY	FINISH	REMARK
1	SHELL	BRASS	1	GOLD	B-SMA0043-G
2	GASKET	SI RUBBER	1	RUBBER	RU-0008
3	WASHER	BRASS	1	NICKEL	W-0012
4	INSULATION	TEFLON	1	TEFLON	I-0115T
5	BODY	BRASS	1	GOLD	B-SMA0776-G
6	PIN	BRASS	1	GOLD	P-SMA0545-G
7	RING	BRASS	1	GOLD	R-0064-G



D

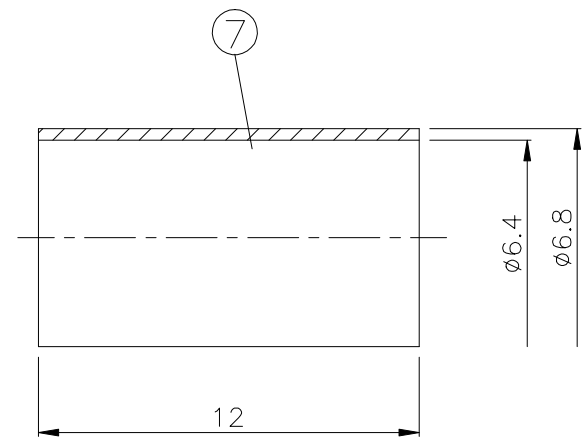
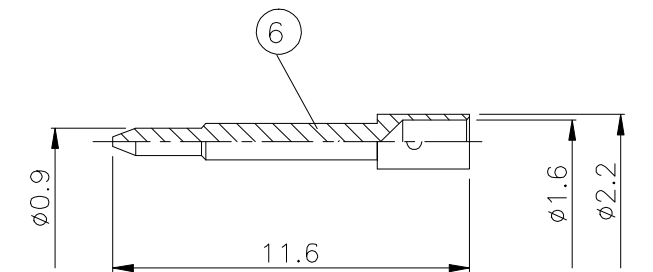
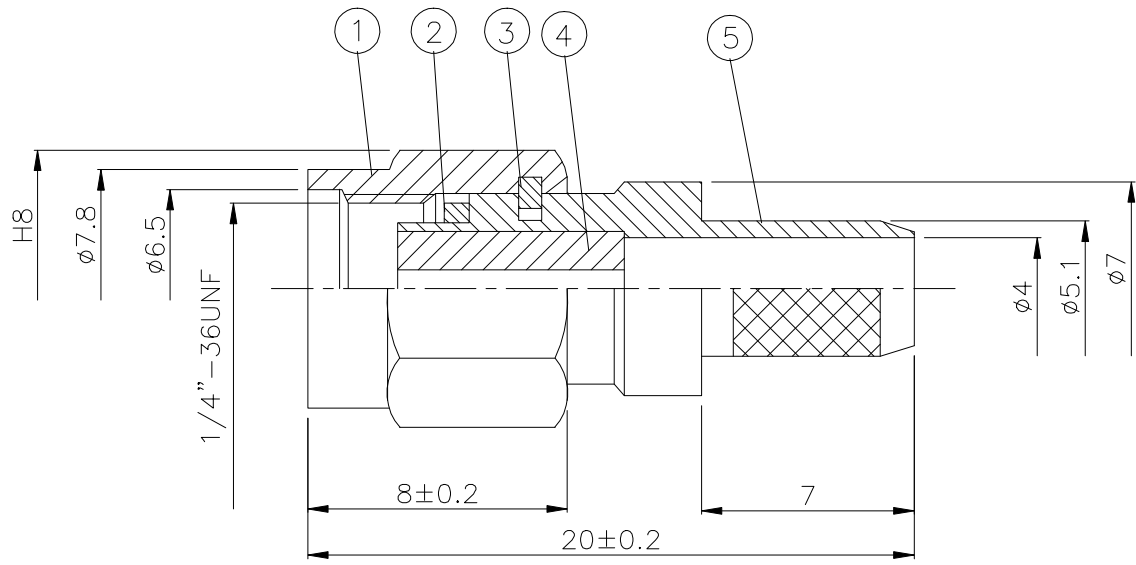
D

C

C

B

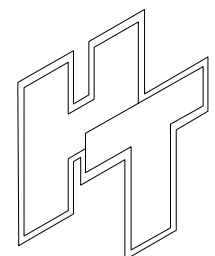
B



Working Voltage: 49 volts rms max.

A

A



HUS-TSAN GROUP CO., LTD
 P.O. BOX 40-76.TAINAN TAIWAN,R.O.C.
TITLE SMA MALE CRIMP FOR LMR-240
PART NO. SMA-03R-TGG
DRAWING NO. SMA-03R-TGG

DRAWN MARY
CHECKED 黄巧君
Q.A. 蘇姿潔
APPROVAL 徐燦霖
REVISION

DATE 96.03.20
DATE 96.03.20
DATE
DATE

DIMENSIONS ARE IN MILLIMETERS
 UNLESS OTHERWISE SPECIFIED TOLERANCES
 0.5-5= ±0.2 120-315= ±1
 5-30= ±0.4 315-1000= ±1.6
 30-120= ±0.6 1000-2000= ±2.4
SCALE 4:1 **SIZE** A

REVISION	
DESCRIPTION	ENGINEER

4

3

2

1