



ISO9001 & ISO14001 & TS16949 CHILISIN ELECTRONICS CORP.

Lead-Free & RoHs Compliance!!

SPECIFICATION FOR APPROVAL

CUSTOMER : ELTECH

CUSTOMER P/N : _____

OUR DWG No : CE1-360375

QUANTITY : X Pcs. DATE : 2013/9/4

ITEM : SL1013C-100K-N

SPECIFICATION ACCEPTED BY:	
COMPONENT ENGINEER	
ELECTRICAL ENGINEER	
MECHANICAL ENGINEER	
APPROVED	
REJECTED	

奇力新電子股份有限公司
 CHILISIN ELECTRONICS CORP.
 NO.29,LANE 301,TEHHSIN ROAD,HUKOU,
 HSINCHU,TAIWAN,303,REPUBLIC OF
 CHINA
 TEL : (03) 599-2646
 FAX : (03) 599-9176
 E-mail : Taiwan@chilisin.com.tw
 http : //www.chilisin.com.tw

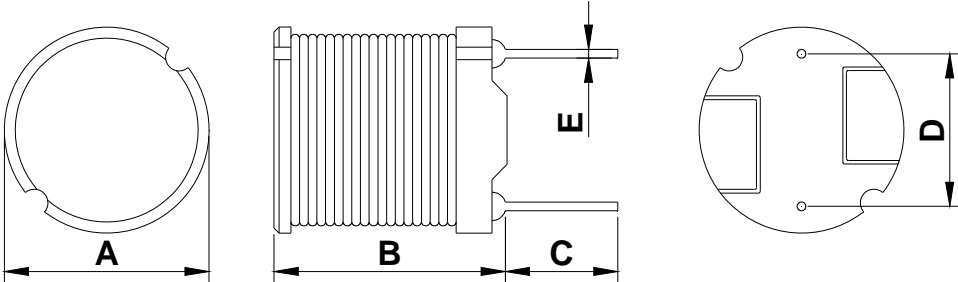
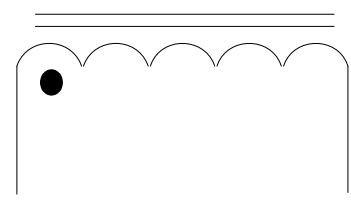
東莞奇力新電子有限公司
 DONG GUANG CHILISIN ELECTRONICS LTD.
 YULIANGWEI ADMINISTRATION AREA,QINGXI TOWN,
 DONGGUANG, GUANGDONG, CHINA
 TEL : 00286769-7730251~3 FAX : 00286769-7730232
 E-mail : cect@chilisin.com.tw

奇力新電子(蘇州)有限公司
 CHILISIN ELECTRONICS(SUZHOU)CO.,LTD
 NO.10, Zhu Yuan Road, Suzhou New District, Suzhou, P.R.C.
 TEL : 00286512-8255568 FAX : 00286512-8255568
 E-mail : chilisin.suzhou@yageo.com.tw

台北營業處
 TAIPEI OFFICE
 3F,NO.233-1,PAO-CHIAO ROAD,
 HSIN TIEN,TAIPEI,TAIWAN,
 R.O.C.
 TEL : (02)29112073
 FAX : (02)29147698
 E-mail : taipei@chilisin.com.tw

DRAWN BY	Jiusheng	CHECKED BY	Liukan	APPROVED BY	Tangshan	QRA BY	
----------	----------	------------	--------	-------------	----------	--------	--

SPECIFICATION FOR APPROVAL

CUSTOMER		ELTECH		CLS DWG. NO.	Rev
					A
CUSTOMER'S PART NO/DWG NO.		DESCRIPTION		DATE	
		SL1013C-100K-N		2013/9/4	
(1)MECHANICAL ASSEMBLY				A	10.0±0.5 m/m
				B	14.4max m/m
				C	5.0±1.0 m/m
				D	5.0±0.3 m/m
				E	0.8±0.05 m/m
				F	m/m
				G	m/m
				H	m/m
				I	m/m
				J	m/m
				(2)ELECTRICAL REQUIREMENTS	
L	10.0±10%	uH	TEST FREQUENCY	1KHZ	1V
RDC	33.0max	mΩ			
L(at 4.0A)	L drop 10%max	uH	TEST FREQUENCY	1KHZ	1V
(4)TEST INSTRUMENTS					
*HP4284A+HP42841A (L,IDC) *CH502BC (RDC)					
*Storage Temperature: Under 2 5 °C ,Humidity < 75% RH(6 Month) * Operating temperature -25°C to +85°C					
NOTE: *Pin:8φ *Solder:Sn99.3Cu0.7				APPROVED BY	
				Tangshan	
				CHECKED BY	
				Liukan	
				DRAWN BY	
				Jiusheng	
		VERSION	No.1		



ISO9001 & ISO14001 & TS16949 **CHILISIN ELECTRONICS CORP.**

TEST DATA FOR PREPRODUCTION SAMPLES

CUSTOMER						CLS DWG. NO.	Rev
ELTECH							A
CUSTOMER'S PART NO./DWG.NO.			DESCRIPTION			DATE	
			SL1013C-100K-N			2013/9/4	
						QUANTITY	PCS.
MEAS. ITEM	L uH	RDC mΩ	L(at 4.0A) uH				
SPEC	CUSTOMER SUGGEST	10.0±10%	33.0max	L drop 10%max			
TEST FREQ.	1KHZ 1V		1KHZ 1V				
1	9.71	20.30	9.64				
2	9.74	20.00	9.67				
3	9.68	20.10	9.62				
4	9.61	20.01	9.55				
5	9.74	19.98	9.68				
6	9.62	19.72	9.56				
7	9.67	19.90	9.62				
8	9.63	19.90	9.57				
9	9.65	20.00	9.60				
10	9.57	19.86	9.51				
11							
12							
13							
14							
15							
X	9.66	19.98	9.60				
R	0.17	0.58	0.17				
CUSTOMER SAMPLE							
TEST CONDITION:						APPROVED BY	
TEMP. 25 °C R.H. 65%						Tangshan	
						CHECKED BY	
						Liukan	
						DRAWN BY	
						Jiusheng	



ISO9001 & ISO14001 & TS16949 **CHILISIN ELECTRONICS CORP.**

TEST DATA FOR PREPRODUCTION SAMPLES

CUSTOMER							CLS DWG. NO.	Rev
ELTECH								A
CUSTOMER'S PART NO./DWG.NO.			DESCRIPTION				DATE	
			SL1013C-100K-N				2013/9/4	
							QUANTITY	PCS.
MEAS. ITEM	A mm	B mm	C mm	D mm	E mm			
SPEC	CUSTOMER SUGGEST							
	10.0±0.5	14.4max	5.0±1.0	5.0±0.3	0.8±0.05			
TEST								
FREQ.								
1	10.12	14.20	4.94	5.25	0.78			
2	10.13	14.26	5.06	5.11	0.82			
3	10.13	14.27	4.90	4.96	0.79			
4	10.13	14.25	4.98	5.15	0.80			
5	10.10	14.15	5.09	4.98	0.82			
6	10.05	14.27	5.00	4.88	0.82			
7	10.12	14.27	5.05	5.04	0.81			
8	10.13	14.24	5.11	5.16	0.82			
9	10.13	14.27	4.86	5.05	0.80			
10	10.11	14.20	4.95	5.09	0.82			
11								
12								
13								
14								
15								
X	10.12	14.24	4.99	5.07	0.81			
R	0.08	0.12	0.25	0.37	0.04			
CUSTOMER SAMPLE								
TEST CONDITION: TEMP. 25 °C R.H. 65%							APPROVED BY	
							Tangshan	
							CHECKED BY	
							Liukan	
							DRAWN BY	
							Jiusheng	



Rev
A

5. MATERIAL LIST :

ITEM	PART	DESCRIPTION	TEMP	SUPPLIERS	UL NO.
1	WIRE	2SFBW	155°C	JUNG SHING OR EQUIV	E174837
2	CORE	FERRITE		CHENZHOU OR EQUIV	
3	EPOXY	FK661-500U		QIFU OR EQUIV	
4	Pin	0.8 φ		BEIQIXIN OR EQUIV	
5	Solder	Sn99.3Cu0.7		SHENYUAN OR EQUIV	

DRAWN BY	CHECKED BY	APPROVED BY	CUSTOMER :	ELTECH	DATE	2013/9/4
Jiusheng	Liukan	Tangshan	PART NO :		REV	
			ISSUE NO :	SL1013C-100K-N	RACE	



1-1 Mechanical Performance

No	Item	Specification	Test Method
1-1-1	Vibration	Appearance: No damage Z change: within±20% RDC: within specification	Test device shall be soldered on the substrate Oscillation Frequency: 10 to 55 to 10Hz for 1min Amplitude: 1.5mm Time: 2hrs for each axis (X, Y & Z), total 6hrs

1-2 Environmental Performance

No	Item	Specification	Test Method															
1-2-1	Temperature Cycle	Appearance: No damage Z change: within±20% RDC: within specification	One cycle: <table border="1" style="margin-left: 20px;"> <thead> <tr> <th>Step</th> <th>Temperature (°C)</th> <th>Time (min)</th> </tr> </thead> <tbody> <tr> <td>1</td> <td>-25±3</td> <td>30</td> </tr> <tr> <td>2</td> <td>25±2</td> <td>3</td> </tr> <tr> <td>3</td> <td>85±3</td> <td>30</td> </tr> <tr> <td>4</td> <td>25±2</td> <td>3</td> </tr> </tbody> </table> Total: 100cycles Measured after exposure in the room condition for 24hrs	Step	Temperature (°C)	Time (min)	1	-25±3	30	2	25±2	3	3	85±3	30	4	25±2	3
Step	Temperature (°C)	Time (min)																
1	-25±3	30																
2	25±2	3																
3	85±3	30																
4	25±2	3																
1-2-2	Humidity Resistance		Temperature: 40±2°C Relative Humidity: 90 ~ 95% Time: 1000hrs Measured after exposure in the room condition for 24hrs															
1-2-3	Heat Life		Temperature: 85±3°C Relative Humidity: 0% Applied Current: Rated Current Time: 1000hrs Measured after exposure in the room condition for 24hrs															
1-2-4	Cold Resistance		Temperature: -25±3°C Relative Humidity: 0% Time: 1000hrs Measured after exposure in the room condition for 24hrs															