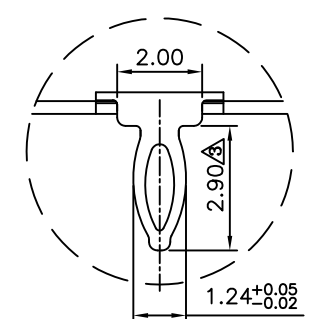
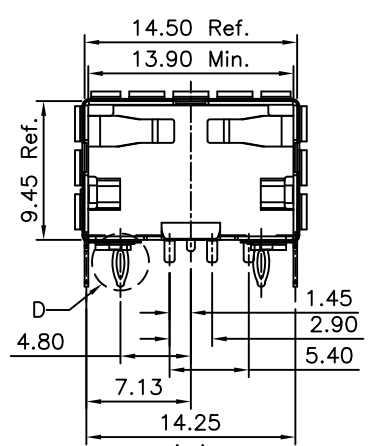


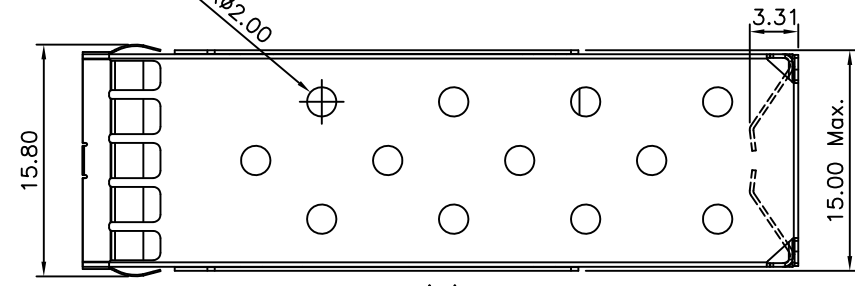
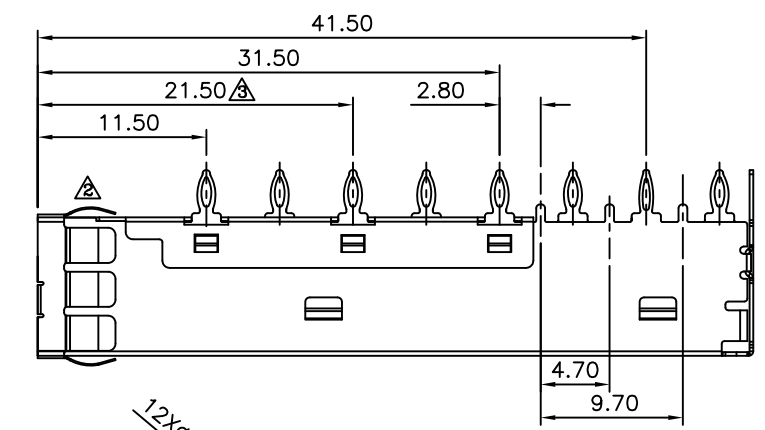
Detail A



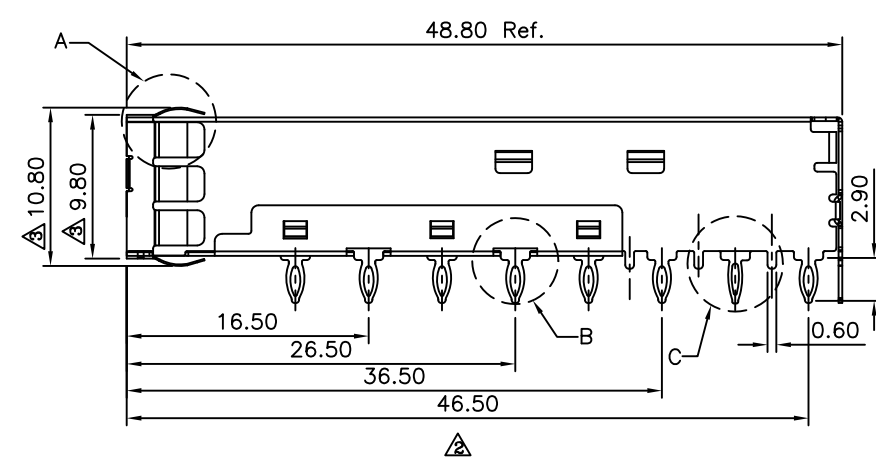
Detail B



Detail C



Detail D



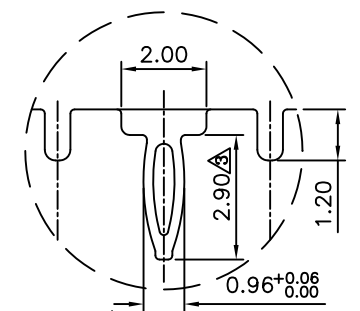
Detail E

SPECIFICATION

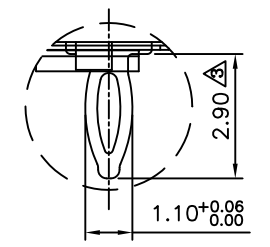
Shell:Phosphor Bronze,Nickel Plated
Spring:Phosphor Bronze,Nickel Plated
RoHS Compliant

SFP - C A 1 48 P K - P - H
(1) (2) (3) (4) (5) (6) (7) (8) (9)

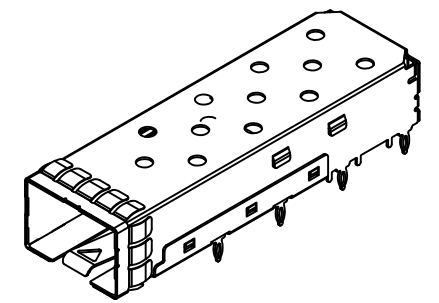
- (1) SFP:SFP Connector
- (2) C:Cage Type
- (3) A:Single Row
- (4) 1:X04 Port
- (5) 48:Length 48.8mm
- (6) P:Press Fit
- (7) K:With Kink
- (8) P:Plus Type
- (9) H:RoHS Compliant



Detail C



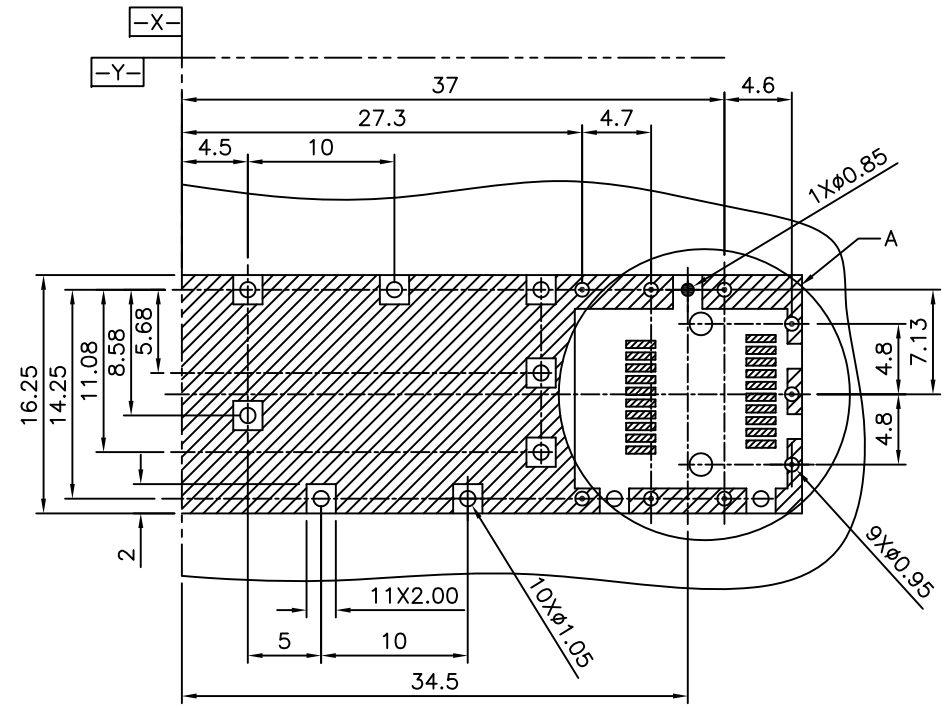
Detail D



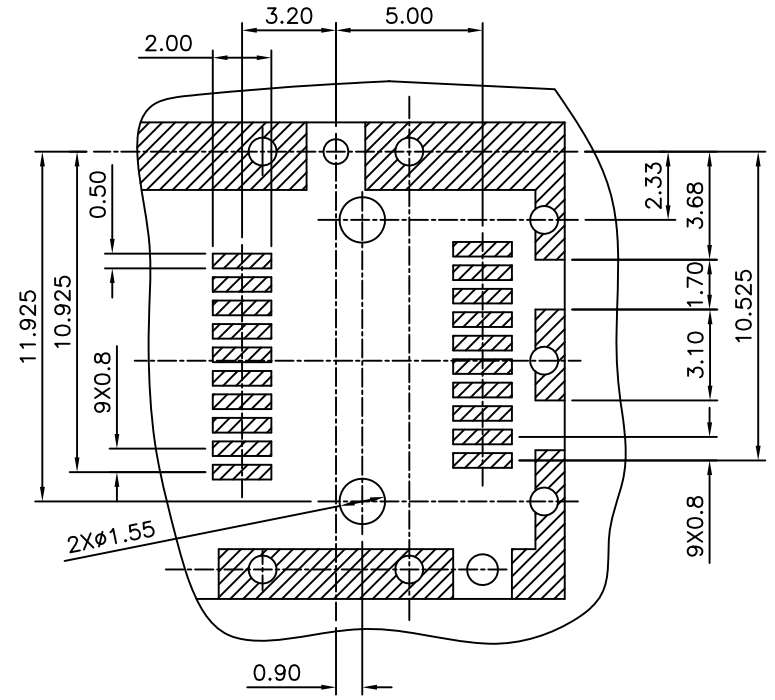
AUK A MEMBER OF AUK GROUP
太聯事業股份有限公司
AUK CONTRACTORS CO., LTD.

| | | | | |
|--------------------------------|--|-------------|--|--|
| CATEGORY | | APPROVED BY | | UNLESS OTHERWISE SPECIFIED TOLERANCES ARE .X ±0.30 .XX ±0.20 .XXX ±0.10 ANG. ±3° |
| PART No. SFP-CA148PK-P-H | | MEI | | |
| DRAWING No. SFP-CA148PK-P-H | | HZF | | |
| SCALE | | REV. | | |
| NONE | | A4 | | UNIT mm |

| | | | |
|---------|----------------|-----|------------|
| A4 | Modify Data | HZF | 06/09/2017 |
| A3 | Modify Data | HZF | 10/28/2015 |
| A2 | Modify Data | HZF | 11/04/2013 |
| A1 | Add PCB Layout | HZF | 05/06/2009 |
| A0 | NEW RELEASE | HZF | 10/30/2008 |
| NO.REV. | REVISIONS | CHK | DATE |



Recommended P.C.B. Layout (Top View)
(PCB Board Tolerance ±0.05) Thickness = 3.0mm



Detail A

AUK A MEMBER OF AUK GROUP
太聯事業股份有限公司
AUK CONTRACTORS CO., LTD.

| | | | | | | | | | |
|--------------------------------|--|-------------|------|---|------|----------------|-------------|------------|------------|
| CATEGORY | | APPROVED BY | | UNLESS OTHERWISE SPECIFIED TOLERANCES ARE △.X ±0.30 △.XX ±0.20 △.XXX ±0.10 ANG. ±3° | △ A4 | Modify Data | HZF | 06/09/2017 | |
| PART No. SFP-CA148PK-P-H | | CHECKED BY | | | △ A3 | Modify Data | HZF | 10/28/2015 | |
| DRAWING No. SFP-CA148PK-P-H | | DRAWING BY | | | △ A2 | Modify Data | HZF | 11/04/2013 | |
| SCALE | | NONE | REV. | | △ A1 | Add PCB Layout | HZF | 05/06/2009 | |
| | | | | UNIT | mm | △ A0 | NEW RELEASE | HZF | 10/30/2008 |
| | | | | NO. REV. | | REVISIONS | CHK | DATE | |