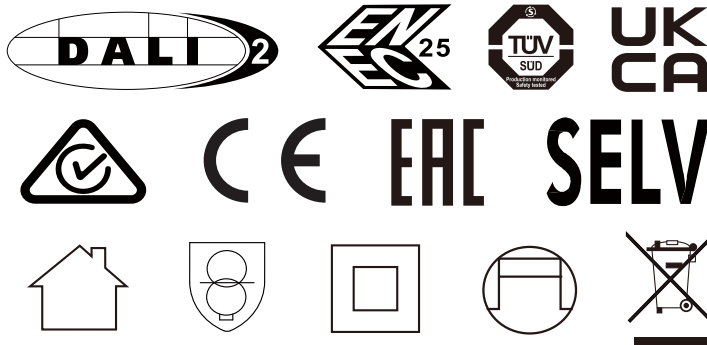


Constant Current Dimmable Driver

Model : SC42W300-1050CG-4X-DALI-ED



Model	Output Current	Input Current	Input Power	Output Power Range	PF	Efficiency	Output Voltage	No load Voltage
SC42W300-1050CG-4X-DALI-ED	300mA	0.07A	14.68W	3.00-12.60W	0.86	85.8%	10-42V	59V
	350mA	0.08A	16.99W	3.50-14.70W	0.87	86.5%	10-42V	59V
	400mA	0.09A	19.31W	4.00-16.80W	0.88	87.0%	10-42V	59V
	450mA	0.13A	21.6W	4.50-18.90W	0.89	87.5%	10-42V	59V
	500mA	0.15A	23.91W	5.00-21.00W	0.90	87.8%	10-42V	59V
	550mA	0.16A	26.25W	5.50-23.10W	0.91	88.0%	10-42V	59V
	600mA	0.17A	28.63W	6.00-25.20W	0.92	88.0%	10-42V	59V
	650mA	0.18A	31.02W	6.50-27.30W	0.93	88.0%	10-42V	59V
	700mA	0.19A	33.41W	7.00-29.40W	0.94	88.0%	10-42V	59V
	750mA	0.20A	35.79W	7.50-31.50W	0.94	88.0%	10-42V	59V
	800mA	0.20A	38.18W	8.00-33.60W	0.95	88.0%	10-42V	59V
	850mA	0.21A	38.63W	8.50-34.00W	0.95	88.0%	10-40V	59V
	900mA	0.22A	40.9W	9.00-36.00W	0.96	88.0%	10-40V	59V
	950mA	0.23A	43.18W	9.50-38.00W	0.96	88.0%	10-40V	59V
	1000mA	0.24A	45.45W	10.00-40.00W	0.97	88.0%	10-40V	59V
1050mA	0.24A	47.72W	10.50-42.00W	0.97	88.0%	10-40V	59V	

* Test result @230V, 50Hz, Full Load.

1. Parameters

category	Item	Technical Norm
Features	Output Type	Constant Current
	Dimming Type	DALI-2 / Touch
	Output Features	Isolation
	IP Grade	IP20
	Insulation Class	Class II (compatible Class I)
Input	Rated Input Voltage	220-240VAC
	Range of Input Voltage	198-264VAC
	Range of DC Input Voltage	180-280VDC
	Frequency	50/60Hz
	Input Current	≤0.24A (230VAC, full load)
	Input Power	≤47.72W (230VAC, full load)
	Power Factor	≥0.97 (230VAC, full load)
	THD	≤15% (230VAC, full load)
	Standby Power Consumption	≤0.45W Dim to off, 230VAC
	Inrush Current	≤18A/2.8us (230VAC, full load)
	Connected quantity of 10A Breaker Connected quantity of 16A Breaker Connected quantity of 20A Breaker	11pcs/type A ;17pcs/type B ; 28pcs/type C @ 230Vac 18pcs/type A;27pcs/type B ; 44pcs/type C @ 230Vac 22pcs/type A;33pcs/type B ; 55pcs/type C @ 230Vac
Output	Output Voltage Range	10-42VDC@300-800mA 10-40VDC@850-1050mA
	No Load Voltage	59VDC Max.
	Output Current	300mA -1050mA (Max. output)
	Max. Output Power	42W
	Efficiency	≥88% (230VAC, full load)
	Output LF Current Ripple(< 120 Hz)	±3% (Imax-Imin)/(Imax+Imin)
	PstLM	≤1
	SVM	≤0.4
	Current Accuracy	±5%
	Starting Time (AC mode)	≤0.8S (230VAC, full load, by DALI system)
Control Method	PUSH dimming	PUSH dimming (Max lead wire length: 20m, same port of DALI)
	DALI function	DALI dimming (Max. lead wire length : 30m) logarithm or linear dimming curve selectable
	Dimming range	DALI dimming: 1%-100%

Protection	Short Circuit Protection	Auto Recovery
	Overload Protection	Auto Recovery (not be hot swap)
	No-load Protection	Auto Recovery
	Insulation voltage	3000V 5mA 60S between P-S
	Insulation resistance	>100M ohm @ 500VDC
	Leakage current	< 250μA, I/P to O/P @230V input
Environment	Ta/Operation Temperature	-25....+35°C
	Ts/Storage Temperature	-25....+70°C
	Tc/Enclosure Temperature	70°C
	Humidity	10%....90%RH
	Atmosphere	86-108KPa
Construction	Connection Method	Push-in Terminal
	Installation	Independent
	SEC Wire preparation	0.5-1.5 [□]
	Dimension	178*31.1*46mm (L*W*H)
Standards	Certification	CE/ENEC/SAA/UKCA/EAC
	Safety Standards	EN61347-1:2015/A1:2021;EN61347-2-13:2014/A1:2017; EN62384:2006/A1:2009; AS 61347.2.13:2018; AS/NZS61347.1:2016; BS EN61347-1:2015/A1:2021; BS EN61347-2-13:2014/A1:2017; IEC 61347-1:2015+A1:2017; IEC 61347-2-13:2014+A1:2016;
	EMC Standards	AS/NZS CISPR 15:2011; AS CISPR 15:2017 ; BS EN IEC 55015:2019+A11:2020; EN 61547:2009; BS EN IEC 61000-3-2:2019; BS EN 61000-3-3:2013+A1:2019;
	DALI performance	EN 62386-101 (DALI-2) EN 62386-102 (DALI-2) EN 62386-207 (DALI-2, including part 251, 252, 253)
	Performance	EN62384
	Surge	L/N-Ground:2kV; L-N:1kV
Others	RoHS	complied to 2011/65/EU
	Life Time	50000h Tc=70°C
		75000h Tc=65°C
		100000h Tc=60°C
Warranty	5years , F.R. < 10000ppm	

Remark:


- 1.All Parameters, if not specified, are measured at 230VAC/50Hz and 25°C ambient temperature.
- 2.LED Driver is a component of the luminaires, Luminaires and wire layout will affect the EMC, please check the EMC with end products again.

2. Output Current Setting

Output Current	1	2	3	4
300mA	-	-	-	-
350mA	-	-	-	ON
400mA	-	-	ON	-
450mA	-	-	ON	ON
500mA	-	ON	-	-
550mA	-	ON	-	ON
600mA	-	ON	ON	-
650mA	-	ON	ON	ON
700mA	ON	-	-	-
750mA	ON	-	-	ON
800mA	ON	-	ON	-
850mA	ON	-	ON	ON
900mA	ON	ON	-	-
950mA	ON	ON	-	ON
1000mA	ON	ON	ON	-
1050mA	ON	ON	ON	ON

3. Label

Black (9005) / White (9010) / Grey (7035)



KGP Electronics GmbH
Hueckstraße 19
DE-58511 Lüdenscheid

Light Control
N
L
DALI

For LED modules only
Can only be used for 4-wire rail

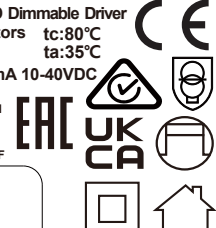
Pout [W]	Iout [mA]	λ	1	2	3	4	Pout [W]	Iout [mA]	λ	1	2	3	4
12.6	300	0.86C	-	-	-	-	29.4	700	0.94C	ON	-	-	-
14.7	350	0.87C	-	-	-	ON	31.5	750	0.94C	ON	-	-	ON
16.8	400	0.88C	-	-	ON	-	33.6	800	0.95	ON	-	ON	-
18.9	450	0.89C	-	-	ON	ON	34.0	850	0.95	ON	-	ON	ON
21.0	500	0.90C	-	ON	-	-	36.0	900	0.96	ON	ON	-	-
23.1	550	0.91C	-	ON	-	ON	38.0	950	0.96	ON	ON	-	ON
25.2	600	0.92C	-	ON	ON	-	40.0	1000	0.97	ON	ON	ON	-
27.3	650	0.93C	-	ON	ON	ON	42.0	1050	0.97	ON	ON	ON	ON

SC42W300-1050CG-4X-DALI-ED LED Dimmable Driver
Constant Current Lighting track adaptors tc:80°C
PRI:220-240VAC 50/60Hz 0.24A Max. ta:35°C
SEC:300-800mA 10-42VDC 850-1050mA 10-40VDC
U-OUT:59VDC 42W Max. Fmax.50N

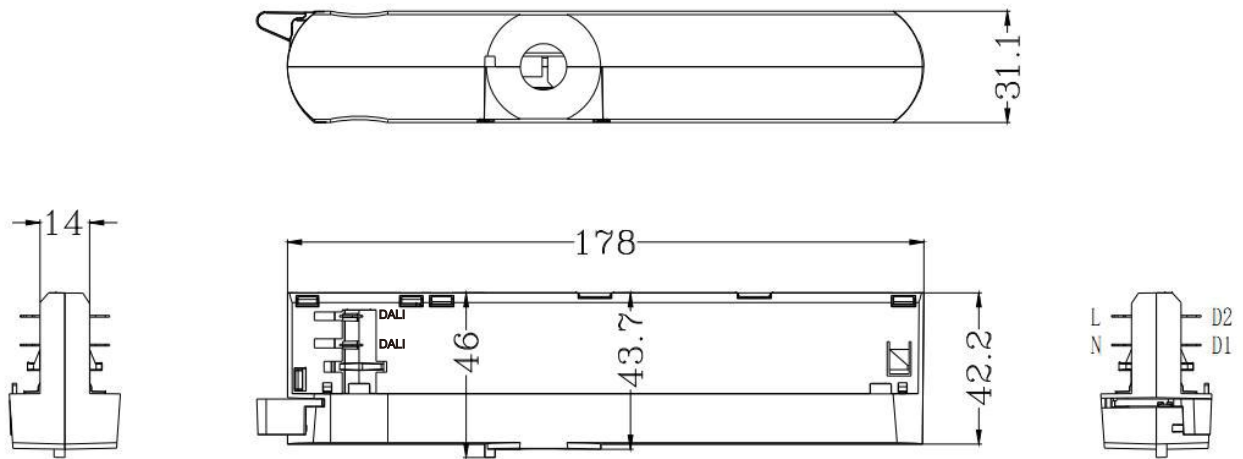
0.5-1.5
8-9mm

ON
OFF

1 2 3 4



4. Dimension



5. Wiring Diagram

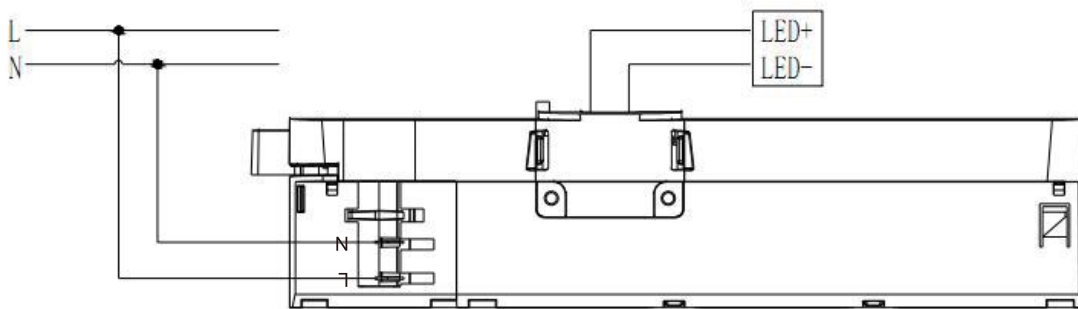


Fig. A: Push Dimming

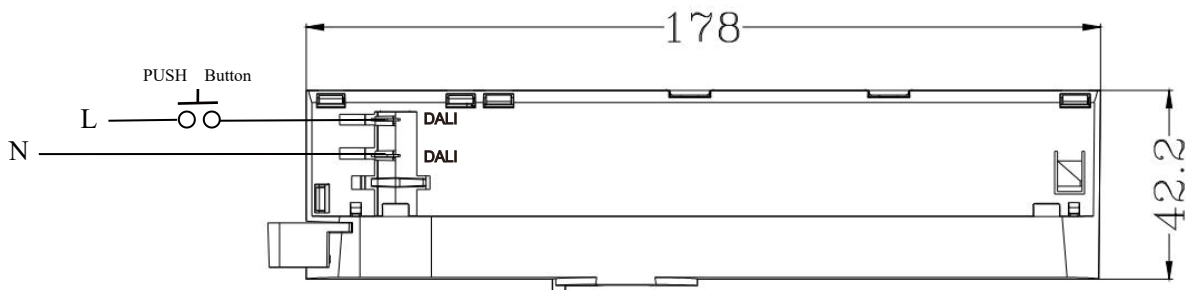
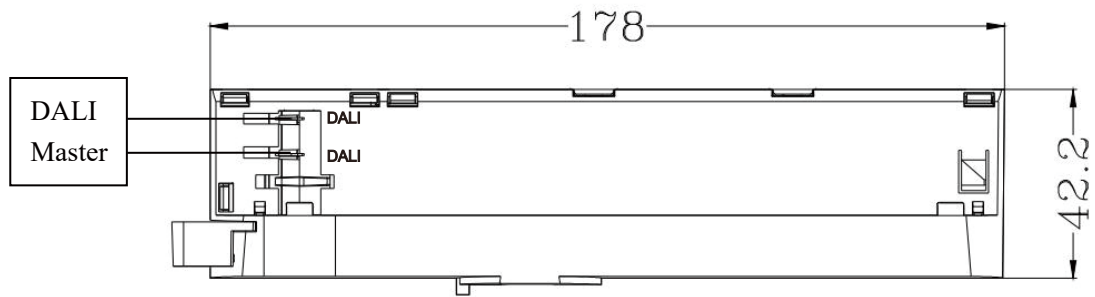
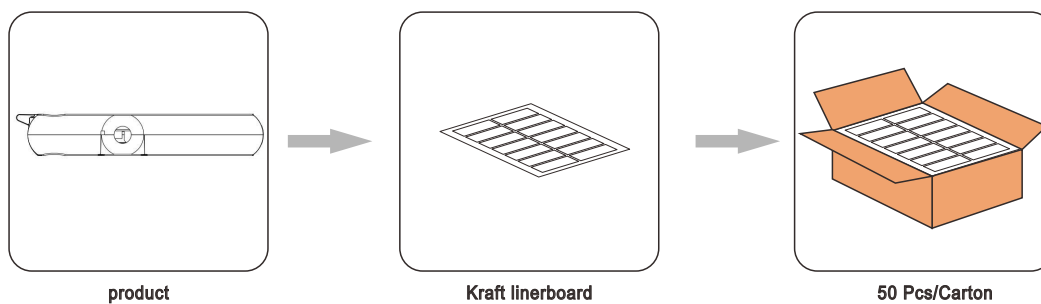


Fig. B: DALI Dimming



6. Packing information



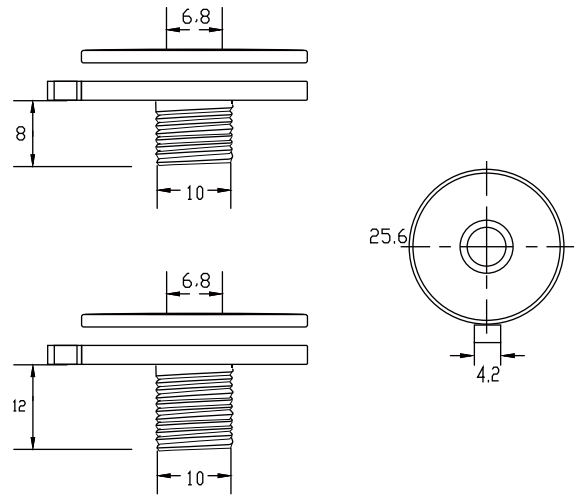
Model	Carton L*W*H (mm)	Pcs/ Carton	Net weight/ Pcs (kg)	Net weight/ Carton (kg)	Gross weight/ Carton (kg)
SC42W300-1050-4X-DALI-ED	395*295*125	50			

7. Lamp Screw Type

- Optional threaded sleeve for luminaire mounting
- Suitable for M10x1x8 threaded nut
- Additional mounting equipment, e.g. M10x1x12
- aluminium, black, white
- further on request

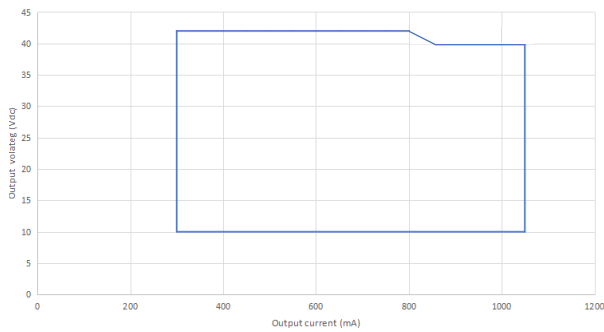
Ordering data

Type	Colour	Article number	Qty/ctn	Weight/pcs
M10x1x8	White	2011011	500	5.1g
	Black	2011010	500	5.1g
	Grey	2011012	500	5.1g
M10x1x12	White	2011017	500	5.7g
	Black	2011016	500	5.7g
	Grey	2011018	500	5.7g

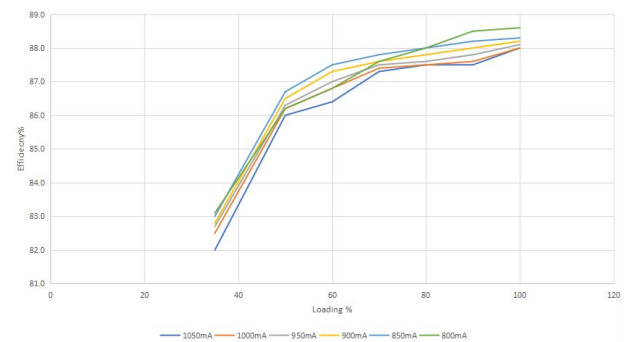


8. Electrical values

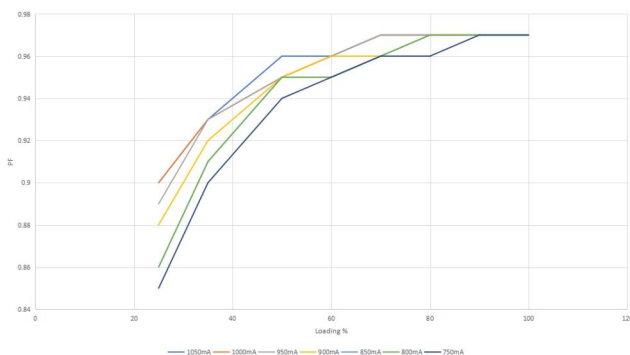
8.1 Operating power windows



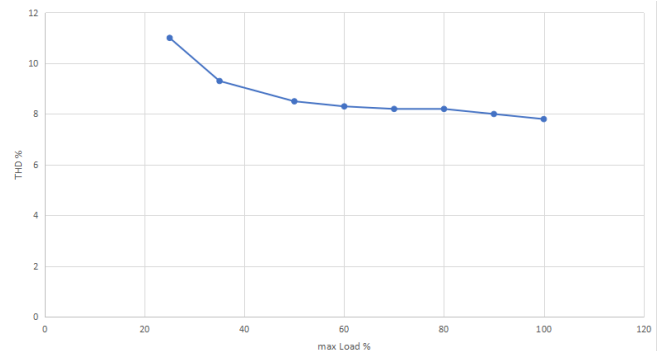
8.2 Efficiency v.s. Load



8.3 PF v.s. Load



8.4 THD v.s. Load



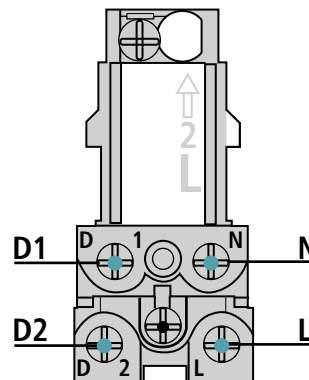
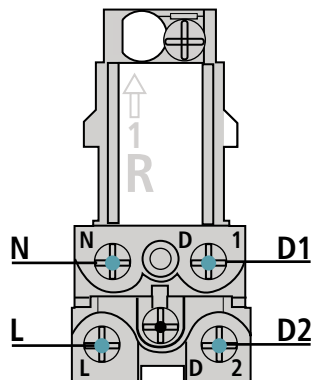
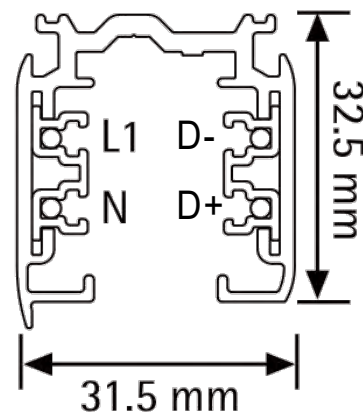
9. Suitable for following tracks (Can only be used for 4-wire rail)

Serial number	Brand	Track model	System
1	Global	XTS 4 & XTSE 4	3P
2	Stucchi	9000XX Series	3P
3	Eutrac	2510x	3P
4	Unipro	T32B	3P
5	Ivela	7501	3P

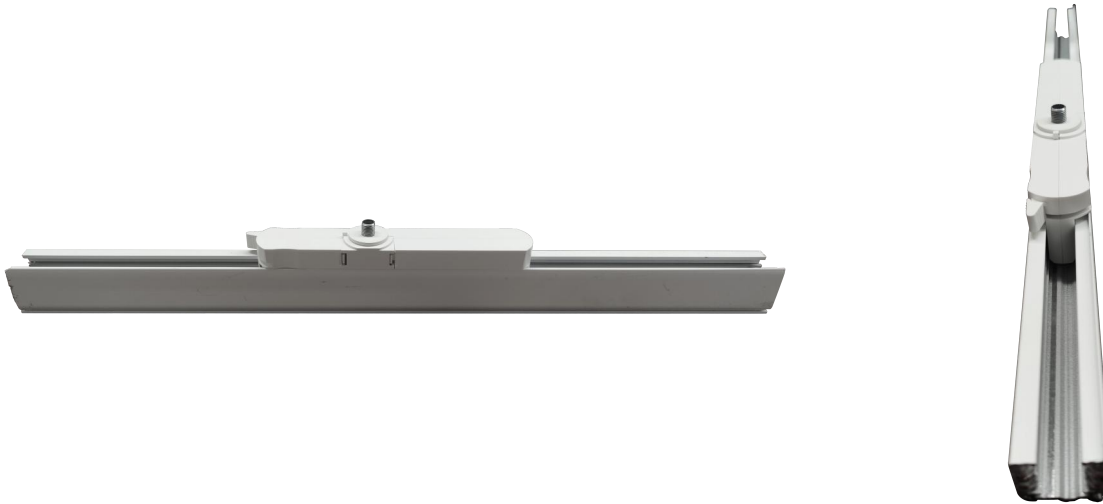
Remark:

1. The model name is XTS 4 and XTSE 4 tracks, and its brand is Global.
2. The model name used is the 9000XX track, and its brand is Stucchi. The "XX" in the model name represents: it represents a different color.
3. The model name is 2510x tracks, and its brand is Eutrac. The "x" in the model name represents: it represents a different color (x=1 white; x=2 black; x=3 silver, x=8 grey).
4. The model name is T32B tracks, and its brand is Unipro.
5. The model name is 7501 tracks, and its brand is Ivela.

10. Phase track light rail specification:



11. Lighting track adapter and rail system installation diagram:



The adaptor shall be given that the use is limited to the track system specified.

12. Wiring instructions

- All connections must be kept as short as possible to ensure good EMI behaviour
- Mains leads should be kept apart from LED Driver and other leads (ideally 5 – 10 cm distance)
- Advice the maximum length of output wires is 3 m
- Secondary switching is not permitted (Except for constant voltage)
- Incorrect wiring can damage LED modules.
- The wiring must be protected against short circuits to earth (sharp edged metals parts, metal cable clips, louver, etc.)

13. Push Dim :

13.1 On / off:

Short push (120ms-600ms) on the switch

Stepless dimming: long push (> 0.6sec) on the switch

13.2 Power-on memory function

When the LED driver is powered on, it will restore the memory before the LED driver is powered off. (brightness remembers the brightness after the last dimming is stable, and the brightness during dimming is not memorized)

13.3 Light on/off

If the light is on, the light will be off after a short press. If the light is off, the light will be on after a short press. The time range of short press is 120-600mS.

13.4 PUSH Dimming

Press and hold the push switch for a long time, the light will enter the dimming state, if the previous time is dimming, it will automatically turn to dimming the next time. After releasing the reset button, the dimming stops and the current illuminance is maintained. The dimming range is 1%-100%. The default is to dim when the power is first long-press. If the brightness of the power-on is the maximum brightness, the first long-press is to dim. (Long press 0.6-3S to start dimming.)

13.5 Forced synchronization

Long press for 10 seconds to turn on all the lights and turn on the same brightness (50%), and continue to quickly short press will not change. After a short period of time without short press operation, the module exits the synchronization mode, and the short press restores the switch function.

13.6 PUSH Dimming rate

Long press the push switch 10S to switch the dimming rate to 3S, Long press the push switch 20S to switch the dimming rate to 6S, and it can also be changed by MAGIC or production software.

14. REVISION HISTORY

Date	Revision	Remark