

SCXXWYYY-YYYYCG-4 Triac

Constant Current Dimmable Driver

Model:SCXXWYYY-YYYYCG-4 Triac



Model	Output Current	Input Current	Input Power	Output Power Range	PF	Efficiency	Output Voltage	No load Voltage
SC15W200-350CG-4 Triac	200mA	≤0.08A	≤12W	5.4-8W	≥0.9	≥80%	27-40V	≤55V
	250mA	≤0.08A	≤14W	6.75-10W				
	300mA	≤0.1A	≤15W	8.1-12W	≥0.92	≥82%		
	350mA	≤0.1A	≤20W	9.45-14W				
SC22W400-550CG-4 Triac	400mA	≤0.13A	≤21W	10.8-16W	≥0.92	≥83%	27-40V	≤55V
	450mA	≤0.13A	≤25W	12.1-18W		≥84%		
	500mA	≤0.15A	≤25W	13.5-20W		≥84%		
	550mA	≤0.16A	≤27W	14.8-22W		≥84%		
SC32W600-800CG-4 Triac	600mA	≤0.16A	≤32W	16.2-24W	≥0.92	≥85%	27-40V	≤55V
	650mA		≤32W	17.5-26W				
	700mA	≤0.22A	≤36W	18.9-28W		≥86%		
	800mA		≤38W	21.6-32W				
SC40W850-1000CG-4 Triac	850mA	≤0.22A	≤45W	22.9-34W	≥0.92	≥87%	27-40V	≤55V
	900mA		≤45W	24.3-36W				
	950mA	≤0.23A	≤48W	25.6-38W				
	1000mA		≤48W	27-40W				

* Tet result @230V, 50Hz, Full Load.

1. Parameters

category	Item	Technical Norm
Features	Output Type	Constant Current
	Dimming Type	Phase dimming
	Dimming Range	10%-100%
	IP Grade	IP20
	Insulation Class	Class II
Input	Rated Input Voltage	220-240VAC

KGP Electronics GmbH
 Hueckstraße 19
 DE-58511 Lüdenscheid

	Range of Input Voltage	198-264VAC
	Frequency	50/60Hz
	Input Current	≤0.23A
	Input Power	≤ 48W
	Power Factor	≥0.92 (230VAC, full load)
	No-load Power Consumption	≤0.5W @230VAC
	Inrush Current	
	SC15W200-350CG-4 Triac	≤10A/13.5us (230VAC, Full-load)
	SC22W400-550CG-4 Triac	≤20A/400us (230VAC, Full-load)
	SC32W600-800CG-4 Triac	≤30A/500us (230VAC, Full-load)
	SC40W850-1000CG-4 Triac	≤45A/500us (230VAC, Full-load)
	Connected quantity of 10A Breaker	
	SC15W200-350CG-4 Triac	20pcs/type A;30pcs/typeB;50pcs/type C @ 230Vac
	SC22W400-550CG-4 Triac	10pcs/type A;15pcs/typeB;25pcs/type C @ 230Vac
	SC32W600-800CG-4 Triac	7pcs/typeA;10pcs/type B ; 17pcs/type C @ 230Vac
	SC40W850-1000CG-4 Triac	4pcs/type A ; 7pcs/type B ; 11pcs/type C @ 230Vac
	Connected quantity of 16A Breaker	
	SC15W200-350CG-4 Triac	32pcs/type A;48pcs/typeB;80pcs/type C @ 230Vac
	SC22W400-550CG-4 Triac	16pcs/type A;24pcs/typeB;40pcs/type C @ 230Vac
	SC32W600-800CG-4 Triac	11pcs/type A;16pcs/typeB;27pcs/type C @ 230Vac
	SC40W850-1000CG-4 Triac	7pcs/typeA;11pcs/type B ; 18pcs/type C @ 230Vac
	Connected quantity of 20A Breaker	
	SC15W200-350CG-4 Triac	40pcs/typeA ;60pcs/typeB;100pcs/typeC@ 230Vac
	SC22W400-550CG-4 Triac	20pcs/type A ; 30pcs/typeB;50pcs/typeC@ 230Vac
	SC32W600-800CG-4 Triac	13pcs/typeA;20pcs/typeB; 33pcs/type C @ 230Vac
	SC40W850-1000CG-4 Triac	9pcs/type A;13pcs/typeB ; 22pcs/type C @ 230Vac
Output	Current Accuracy	±5%
	Max. Output Power	40W
	Started Delay Time	≤0.5S (230VAC, full load)
	Current Ripple	±5% (Imax-Imin)/(Imax+Imin)
Protection	Short Circuit Protection	Auto Recovery
	Overload Protection	Auto Recovery
	No-load Protection	Auto Recovery
	Insulation voltage	I/P to O/P , 3KVac/1min
	Insulation resistance	>100M ohm @ 500VDC
	Leakage current	I/P to O/P < 250μA
Environment	Ta/Operation Temperature	-20....+35°C
	Ts/Storage Temperature	-40....+85°C
	Tc/Enclosure Temperature	85°C
	Humidity	10%....90%RH
	Atmosphere	86-108KPa

Construction	Connection Method	Push-in Terminal
	Installation	Independent
	PRI Wire preparation	0.5-1.5 [□]
	SEC Wire preparation	0.5-1.5 [□]
	Dimension	15W/22W: 196 x 31 x 45(L*W*H) 32W/40W: 250 x 31 x 45(L*W*H)
Standards	Certification	ENEC/CE/SAA
	Safety Standards	EN61347-1:2015,EN61347-2-13:2014/A1:2017, AS/NZS IEC61347.2.13:2018, AS/NZS61347.1:2016 Inc A1
	EMC Standards	EN55015:2013/A1:2015,EN61000-3-2:2014,EN61000-3-3:2013,EN61547:2009
	Performance	EN62384
	Surge	L-N/ 2KV
Others	RoHS	complied to 2011/65/EU
	Life Time	50000h @Ta / Tc
	Warranty	5years , F.R. < 10000ppm

Remark

1. All Parameters, if not specified, are measured at 230VAC/50Hz and 25°C ambient temperature.
2. LED Driver is a component of the luminaires. Luminaires and wire layout will affect the EMC, please check the EMC with end products again.

2. Trailing Edge Dimmer list approved by KGP

Manufacturer	Model	Q'ty of parallel connection
ABB	6519 U	11
ABB	6526 U	10
JUNG	1224 LED UDE	11
Berker	2861	10
JUNG	254 UDIE 1	10
JUNG	225 TDE	12
EGANT	U321V2	10
Schneider	SBD200LED	10
Schneider	SBD315RC	11
Merten	SBD200LED	10
Berker	2874	12
Eetako	EUD61NPL-230V	12

Leading Edge Dimmer list only on request -/ or confirmed by KGP Electronics

3. Label

KGP
KGP Electronics GmbH
Hueckstraße 19
DE-58511 Lüdenscheid
SC15W200-350CG-4 Triac
Constant Current Lighting track adaptors

LED Dimmable Driver
No load:55VDC Max.
● t=85°C

PIN1	PIN2	Input V _{DC}	Output V _{DC}	U _{in} /f _{in}	I _{max}	η _{typ}	Δ
OFF	OFF	200	35		0.60	0.980	
ON	ON	200	35	27-49	0.60	0.980	
ON	OFF	200	72		0.70	0.950	
ON	ON	200	72		0.70	0.950	

For LED modules only

KGP
KGP Electronics GmbH
Hueckstraße 19
DE-58511 Lüdenscheid
SC22W400-550CG-4 Triac
Constant Current Lighting track adaptors

LED Dimmable Driver
No load:55VDC Max.
● t=85°C

PIN1	PIN2	Input V _{DC}	Output V _{DC}	U _{in} /f _{in}	I _{max}	η _{typ}	Δ
OFF	OFF	400	55		0.65	0.980	
ON	ON	400	55	27-49	0.65	0.980	
ON	OFF	400	90		0.75	0.950	
ON	ON	400	90		0.75	0.950	

For LED modules only

KGP
KGP Electronics GmbH
Hueckstraße 19
DE-58511 Lüdenscheid
SC32W600-800CG-4 Triac
Constant Current Lighting track adaptors
For LED modules only

LED Dimmable Driver
No load:55VDC Max.
● t=85°C

PIN1	PIN2	Input V _{DC}	Output V _{DC}	U _{in} /f _{in}	I _{max}	η _{typ}	Δ
OFF	OFF	600	24		0.16		
OFF	ON	650	26	27-49	0.22	0.950	
ON	OFF	750	28		0.22		
ON	ON	750	32		0.22		

For LED modules only

KGP
KGP Electronics GmbH
Hueckstraße 19
DE-58511 Lüdenscheid
SC40W850-1000CG-4 Triac
Constant Current Lighting track adaptors
For LED modules only

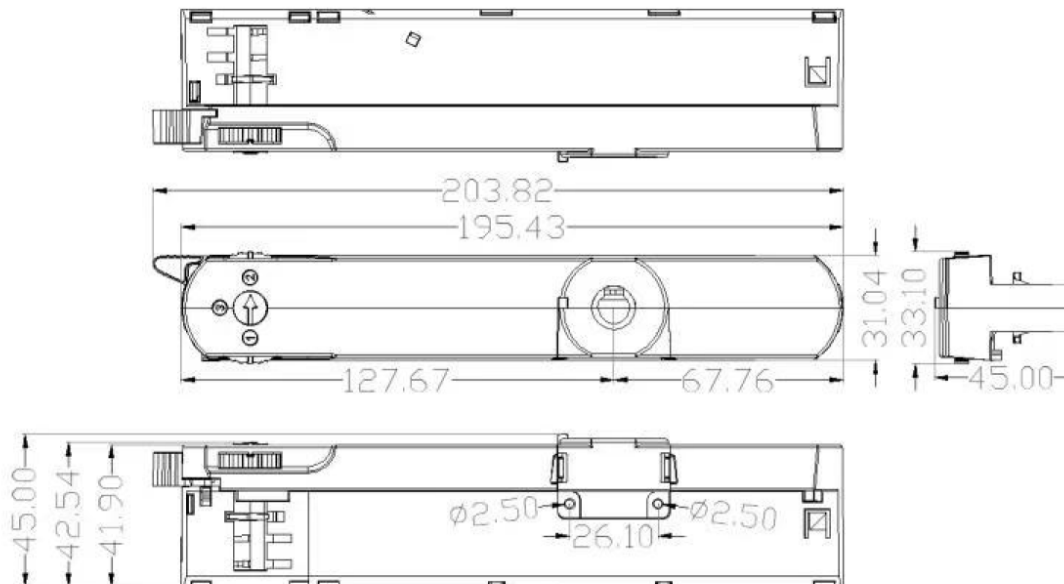
LED Dimmable Driver
No load:55VDC Max.
● t=85°C

PIN1	PIN2	Input V _{DC}	Output V _{DC}	U _{in} /f _{in}	I _{max}	η _{typ}	Δ
OFF	OFF	850	34		0.22		
OFF	ON	900	36	27-49	0.22	0.950	
ON	OFF	950	38		0.23		
ON	ON	1000	40		0.23		

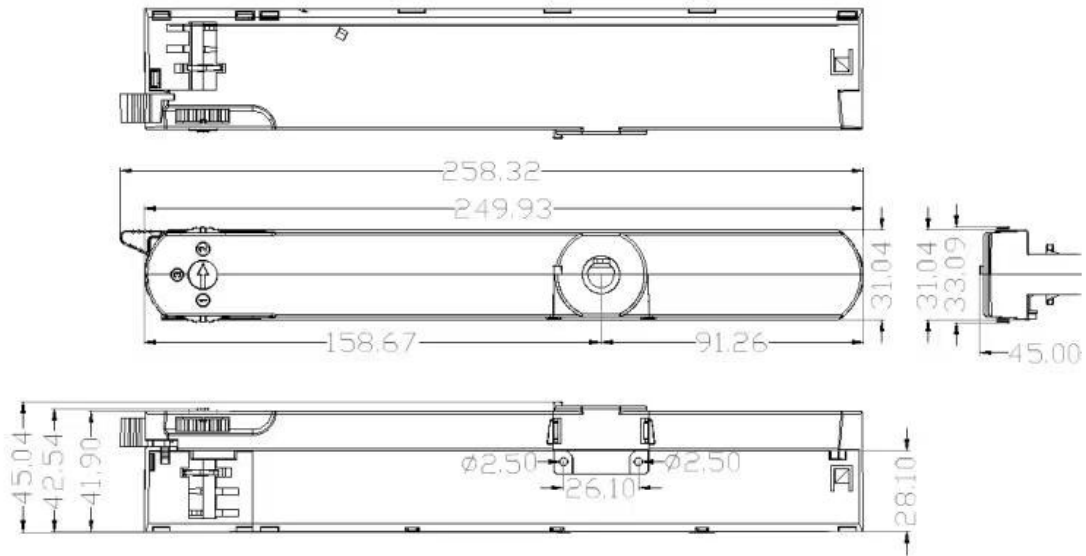
For LED modules only

4. Dimension (Unit: mm)

15W/22W:



32W/40W:



5. Packing information

Model	Carton Size(mm)	Pcs/ Carton	Net weight/ Pcs(kg)	Net weight/ Carton(kg)	Gross weight / Carton(kg)
SC15W200-350CG-4 Triac	515*274*370	100	0.12	12	14.6
SC22W400-550CG-4 Triac	515*274*370	100	0.12	12	14.6
SC32W600-800CG-4 Triac	515*274*370	90	0.145	13.05	14.5
SC40W850-1000CG-4 Triac	515*274*370	90	0.145	13.05	14.5

6. Wiring Diagram

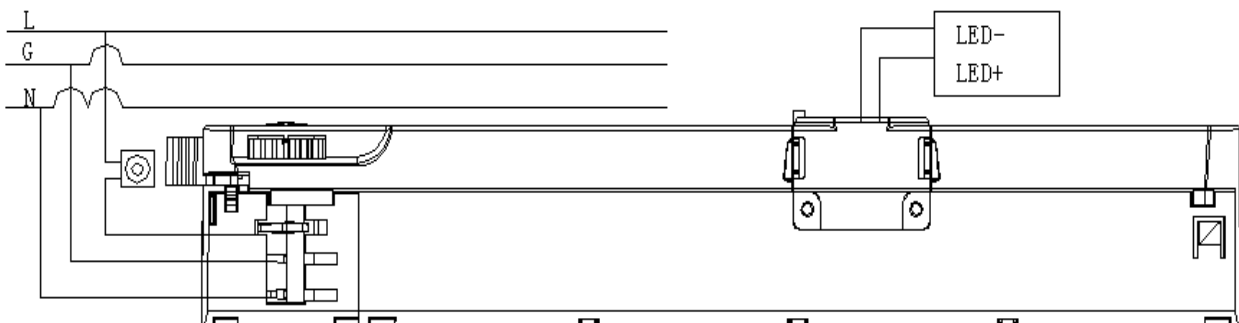


Fig. A:SC40W850-1000CG-4 Triac

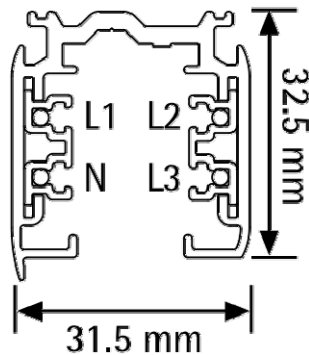
7. Suitable for following tracks

Serial number	Brand	Track model	System
1	Global	XTS 4 & XTSE 4	3P
2	Stucchi	9000XX Series	3P
3	Eutrac	2510x	3P
4	Unipro	T32B	3P
5	Ivela	7501	3P
6	ERCO	783	3P
7	Hoffmeister	/	3P

Remark:

1. The model name is XTS 4 and XTSE 4 tracks, and its brand is Global.
2. The model name used is the 9000XX track, and its brand is Stucchi. The "XX" in the model name represents: it represents a different color.
3. The model name is 2510x tracks, and its brand is Eutrac. The "x" in the model name represents: it represents a different color (x=1 white; x=2 black; x=3 silver, x=8 grey).
4. The model name is T32B tracks, and its brand is Unipro.
5. The model name is 7501 tracks, and its brand is Ivela.
6. The model name is 783 tracks, and its brand is ERCO.
7. Hoffmeister

8. Phase track light rail specification:



9. Lighting track adapter and rail system installation diagram:



The adaptor shall be given that the use is limited to the track system specified.