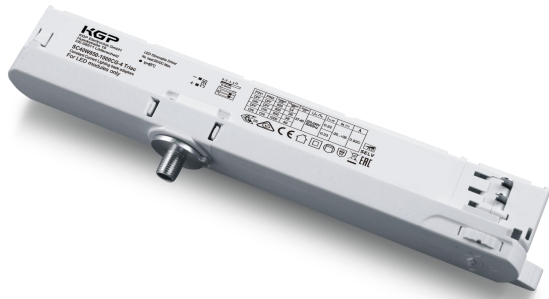




SC15W200-350CG-4 Triac/SC22W400-550CG-4 Triac/SC32W650-800CG-4 Triac/SC40W850-1000CG-4 Triac



Constant Current & Dimmable Driver

Model/型号:

- SC15W200-350CG-4 Triac
- SC22W400-550CG-4 Triac
- SC32W650-800CG-4 Triac
- SC40W850-1000CG-4 Triac



Model	Output Current	Input Current	Input Power	Output Power Range	PF	Efficiency	Output Voltage	No load Voltage
SC15W200-350CG-4 Triac	200mA	≤0.08A	≤12W	5.4-8W	≥0.92	≥80%	27-40V	≤55V
	250mA	≤0.08A	≤14W	6.75-10W		≥82%		
	300mA	≤0.1A	≤15W	8.1-12W				
	350mA	≤0.1A	≤20W	9.45-14W				
SC22W400-550CG-4 Triac	400mA	≤0.13A	≤21W	10.8-16W	≥0.92	≥83%	27-40V	≤55V
	450mA	≤0.13A	≤25W	12.1-18W		≥84%		
	500mA	≤0.15A	≤25W	13.5-20W		≥84%		
	550mA	≤0.16A	≤27W	14.8-22W		≥84%		
SC32W650-800CG-4 Triac	650mA	≤0.16A	≤32W	17.55-26W	≥0.92	≥85%	27-40V	≤55V
	700mA	≤0.18A	≤32W	18.9-28W				
	750mA	≤0.2A	≤36W	20.25-30W				
	800mA	≤0.22A	≤38W	21.6-32W				
SC40W850-1000CG-4 Triac	850mA	≤0.22A	≤45W	22.9-34W	≥0.92	≥85%	27-40V	≤55V
	900mA	≤0.24A	≤45W	24.3-36W				
	950mA	≤0.26A	≤48W	25.6-38W				
	1000mA	≤0.28A	≤48W	27-40W				

* Test result @230V, 50Hz, Full Load.

1. Parameters

category	Item	Technical Norm
Features	Output Type	Constant Current
	Dimming Type	Phase dimming
	Dimming Range	10%-100%
	IP Grade	IP20

KGP Electronics GmbH
Hueckstraße 19
DE-58511 Lüdenscheid



SC15W200-350CG-4 Triac/SC22W400-550CG-4 Triac/SC32W650-800CG-4 Triac/SC40W850-1000CG-4 Triac

	Insulation Class	Class II
Input	Rated Input Voltage	220-240VAC
	Range of Input Voltage	198-264VAC or 180-280VDC
	Frequency	50/60Hz
	Input Current	≤0.28A
	Input Power	≤48W
	Power Factor	≥0.92 (230VAC,full load)
	THD	≤20% (230VAC,full load)
	No-load Power Consumption	≤0.5W @230VAC
	Inrush Current:	
	SC15W200-350CG-4 Triac SC22W400-550CG-4 Triac SC32W650-800CG-4 Triac SC40W850-1000CG-4 Triac	≤10A/13.5us (230VAC,full load) ≤20A/400us (230VAC,full load) ≤40A/500us (230VAC,full load) ≤45A/500us (230VAC,full load)
Connected quantity of Breaker :	16A	48pcs/type B ; 80pcs/type C 40pcs/type C 16pcs/type B ; 26pcs/type C 10pcs/type B ; 17pcs/type C
Output	Output Voltage	27-40V
	Output Current:	
	SC15W200-350CG-4 Triac	200/250/300/350
	SC22W400-550CG-4 Triac	400/450/500/550
	SC32W650-800CG-4 Triac	650/700/750/800
	SC40W850-1000CG-4 Triac	850/900/950/1000
	No Load Voltage	55VDC Max
	Max. Output Power:	
	SC15W200-350CG-4 Triac	14W
	SC22W400-550CG-4 Triac	22W
SC32W650-800CG-4 Triac	32W	
SC40W850-1000CG-4 Triac	40W	
Efficiency	≥85%	
Current Ripple	±5% (Imax-Imin)/(Imax+Imin)	
Current Accuracy	±5%	
Started Delay Time	≤0.5S (230VAC,full load)	
Protection	Short Circuit Protection	Auto Recovery
	Overload Protection	Auto Recovery
	No-load Protection	Auto Recovery
	Insulation voltage	I/P to O/P , 3.75KVac/1min
	Ta/Operation Temperature	-20....+35°C



SC15W200-350CG-4 Triac/SC22W400-550CG-4 Triac/SC32W650-800CG-4
Triac/SC40W850-1000CG-4 Triac

Environment	Ts/Storage Temperature	-40...+85°C
	Tc/Enclosure Temperature	85 °C @15W AND 22W 80°C @32W AND 40W
	Humidity	10%...90%RH
	Atmosphere	86-108KPa
	Connection Method	Push-in Terminal
Construction	Installation	Independent & Built in
	PRI Wire preparation	0.75-1.5 [□]
	SEC Wire preparation	0.5-1.5 [□]
	Dimension	Independent:137.6*44*30mm (L*W*H) Built in:97.8*44*30mm(L*W*H)
	Certification	complied to CE SAA @32W AND 40W complied to CE ENEC SAA @15W AND 22W
Standards	Safety Standards	EN61347-1:2015,EN61347-2-13:2014/A1:2017 , EN62384:2006/A1:2009,EN61347-1:2015/A1:2021, AS61347.2.13:2018,AS/NZS61347.1:2016 Inc A1
	EMC Standards	EN IEC 55015:2019,EN IEC 55015:2019/A11:2019, EN IEC 61000-3-2:2019,EN 61000-3-3:2013/A1:2019, EN61547:2009, EN IEC 55015:2019/A11:2020
	Performance	EN62384
	Surge	L-N/2KV
	RoHS	complied to 2011/65/EU
Others	Life Time	50000h @35°C (Ta) / (Tc)
	Warranty	5years , F.R. < 10000ppm

Remark: 1. Specific instructions are not all parameters are not connect dimmer input voltage 230 vac / 50 Hz and 25 °C ambient temperature measured.
2. LED Driver is a component of the luminaires, Luminaires and wire layout will affect the EMC, please check the EMC with end products again.
3. Only trailing edge dimmable.



SC15W200-350CG-4 Triac/SC22W400-550CG-4 Triac/SC32W650-800CG-4 Triac/SC40W850-1000CG-4 Triac

2. Trailing Edge Dimmer list approved by KGP

Manufacturer	Model	Q'ty of parallel connection
ABB	6519 U	11
ABB	6526 U	10
JUNG	1224 LED UDE	11
Berker	2861	10
JUNG	254 UDIE 1	10
JUNG	225 TDE	12
EGANT	U321V2	10
Schneider	SBD200LED	10
Schneider	SBD315RC	11
Merten	SBD200LED	10
Berker	2874	12
Eetako	EUD61NPL-230V	12

Leading Edge Dimmer list only on request -/ or confirmed by KGP Electronics

3. Label

KGP
KGP Electronics GmbH
Hueckstraße 19
DE-58511 Lüdenscheid

LED Dimmable Driver
No load:55VDC Max. Fmax. 50N ↓

tc=85°C

SC22W400-550CG-4 Triac
Constant Current Lighting track adaptors

0.5-1.5□
8-9mm

PIN1	PIN2	Irated	Prated	Urated	U _N /f _N	I _N /I _N	ta [°C]	λ
OFF	OFF	400	18	27-40	220-240V 50/60Hz	0.13	-20...+35	0.92C
OFF	ON	450	18					
ON	OFF	500	20					
ON	ON	550	22					

SELV CE

For LED modules only

ERC
R.C

KGP
KGP Electronics GmbH
Hueckstraße 19
DE-58511 Lüdenscheid

LED Dimmable Driver
No load:55VDC Max. Fmax.50N ↓

tc=80°C

SC40W850-1000CG-4 Triac
Constant Current Lighting track adaptors

For LED modules only

0.5-1.5□
8-9mm

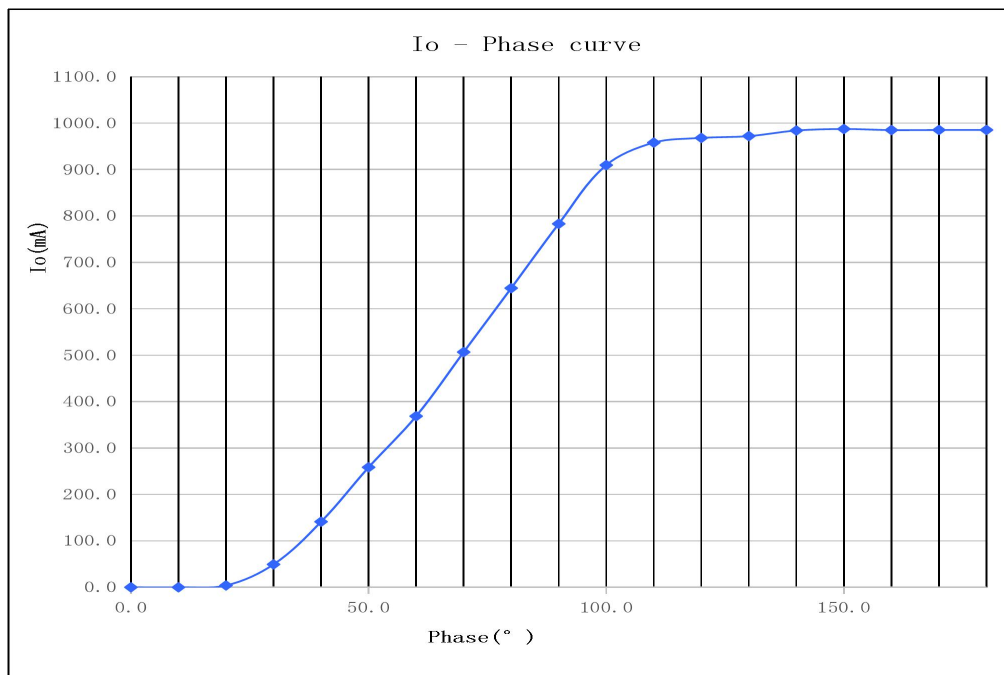
PIN1	PIN2	Irated	Prated	Urated	U _N /f _N	I _N /I _N	ta [°C]	λ
OFF	OFF	850	34	27-40	220-240V 50/60Hz	0.22	-20...+35	0.92C
ON	OFF	900	36					
OFF	ON	950	38					
ON	ON	1000	40					

SELV CE

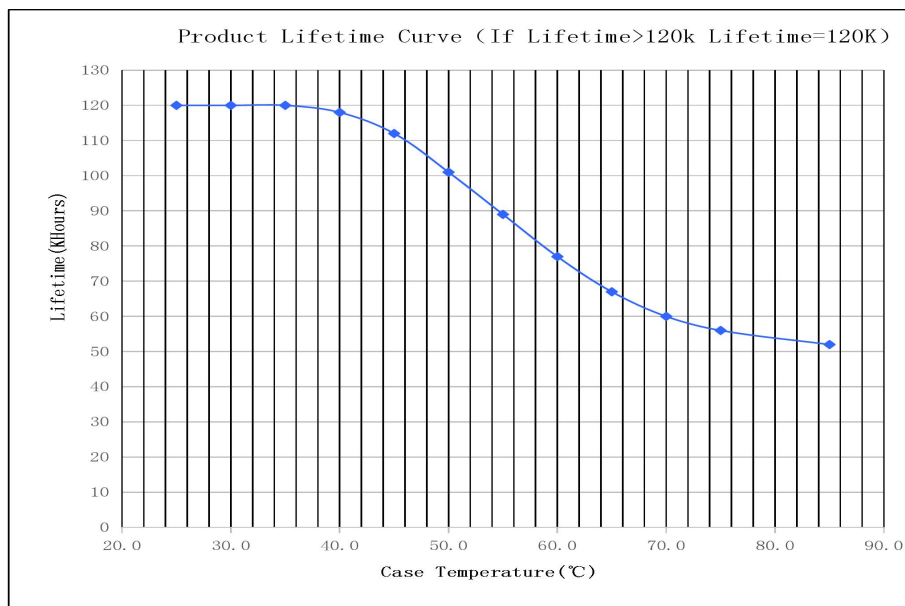
For LED modules only

ERC
R.C

4. Dimming curve



5. Lifetime curve

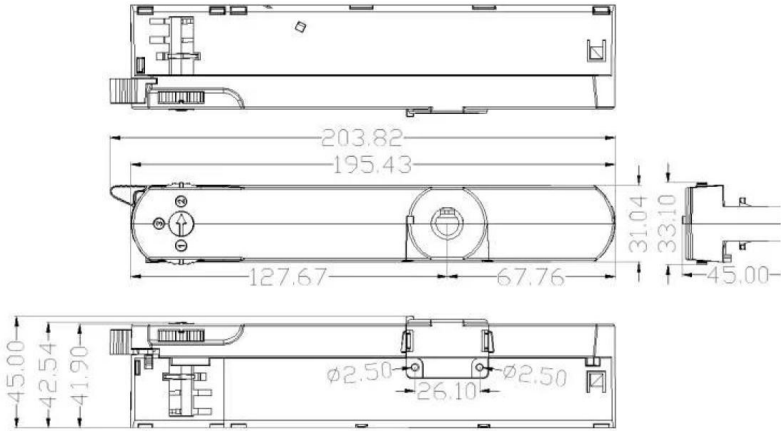




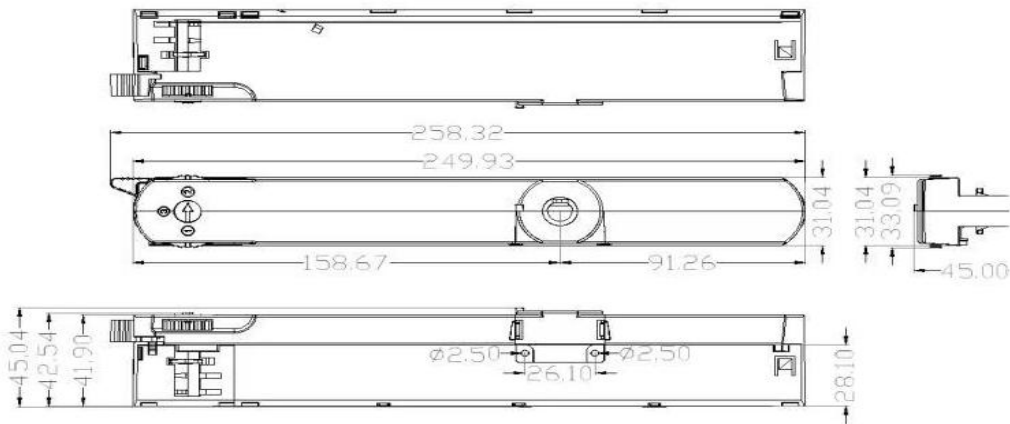
SC15W200-350CG-4 Triac/SC22W400-550CG-4 Triac/SC32W650-800CG-4 Triac/SC40W850-1000CG-4 Triac

6. Dimension (Unit: mm)

15W/22W:



32W/40W:



7. Packing information

Model	Carton Size(mm)	Pcs/ Carton	Net weight/ Pcs(kg)	Net weight/ Carton(kg)	Gross weight / Carton(kg)
SC15W200-350CG-4 Triac	515*274*370	100	0.12	12	14.6
SC22W400-550CG-4 Triac	515*274*370	100	0.12	12	14.6
SC32W650-800CG-4 Triac	515*274*370	90	0.145	13.05	14.5
SC40W850-1000CG-4 Triac	515*274*370	90	0.145	13.05	14.5

8. Wiring Diagram

