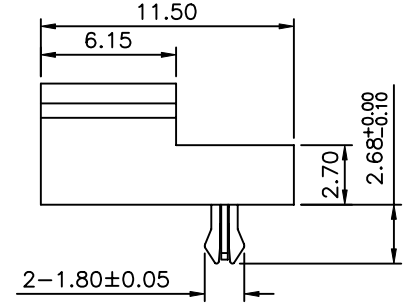
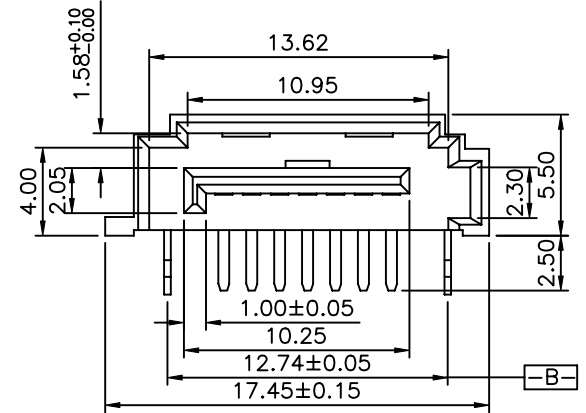
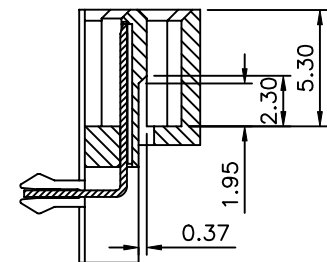
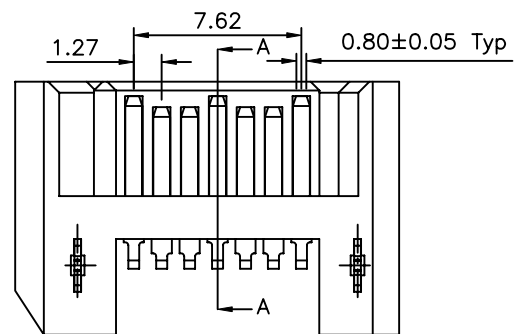


SPECIFICATION
 Housing:LCP(UL94V-0),Black
 Contact:Copper Alloy
 Board Lock:Copper Alloy,
 Misty Tin Plated On Solder Tails,Under Nickel
 RoHS Compliant



SATA07PRBZ-Q-SXX-HH
(1)

(1) SXX:Contact Finish
 Blank:Selective Gold Plated On Contact Area
 Misty Tin Plated On Solder Tails,Under Nickel
 S15:Selective Gold Plated 15u" On Contact Area
 Misty Tin Plated On Solder Tails,Under Nickel



Section A-A

AUK A MEMBER OF AUK GROUP
太聯事業股份有限公司
AUK CONTRACTORS CO., LTD.

CATEGORY		APPROVED BY		UNLESS OTHERWISE SPECIFIED TOLERANCES ARE .X ±0.30 .XX ±0.25 ANG. ±1°
PART No. SATA07PRBZ-Q-SXX-HH		MEI		
DRAWING No. SATA07PRBZ-Q-SXX-HH		HZF		
		QQJ		
SCALE	NONE	REV.	A0	UNIT mm

NO.	REV.	REVISIONS	CHK	DATE
△ A0		NEW RELEASE	HZF	09/01/2009