

Description

S6-600W series is specially designed for sports lighting and industrial lighting applications. It is constant current LED driver that operates from 220-480Vac with Dali-2 programming dimming function. This Rectangle integrated structure enables it to have a better heat dissipation cooler, significantly improving reliability and extending product life, the better thermal design and high efficiency enable the driver to operate with high reliability, and extending product lifetime. Overall protection is provided against lightning surge, output over voltage, short circuit, and over temperature, to ensure low failure rate.



Product Features

- Universal input voltage range: 198~528Vac;
- Isolated constant power design;
- DALI-2 control optional;
- Ultra low ripple: < 2%;
- PF : >0.95@100%load;
- THD: <15%@100%load;
- Inrush current:<40A@480Vac;
- Surge protection: DM 6KV,CM 10KV;
- All -around protection: SCP,OVP,OTP;
- Ingress protection rating: IP66,IK08;
- Ambient temperature:-40℃~50℃ ;
- 7 years warranty.

Application

Stadium Lighting
 Area and flood lighting
 High-bay lighting

Models

Model Number	Input Voltage Range (Vac)	Max Output Power (W)	Output Voltage Range (Vdc)	Full Power Output Current Range (A)	Default Current(A)	Eff. (Typ.)	PF(Typ.)	THD(Typ.)
S6-600D520	198~528Vac	600	260~520	1.16~1.88	1.2	94.5%	0.95	15%

NOTES:

- [1]. All specifications are measured at 25°C ambient temperature, input voltage 230Vac, and the typical value tested at full load, if no specific note.
 [2]. The driver product is suitable for 265W-600W LED module.

Input Specifications

Parameter	Min	Typ.	Max	Notes
Input Voltage Range	198Vac	220V/277V/347V 400V/480VAC	528Vac	
Input Frequency AC	47Hz	50/60Hz	63Hz	
Max Input Current	-	-	3.2A	220-480Vac&Full Load.
Max Input Power	-	-	660W	220Vac&Full Load.
Leakage Current	-	-	0.70mA	IEC 60598-1;240Vac/60Hz.
Inrush Current	-	-	30A	220Vac&Full Load, Cold Start.
Standby Power Consumption	-	-	0.5W	230Vac&50Hz.
Power Factor(PF)	0.96	0.98	-	220Vac, 50-60Hz, 100% Load.
Power Factor(PF)	0.90	0.95	-	480Vac, 50/60Hz, 70%-100% load.
Total Harmonic Distortion(THD)	-	5%	10%	220-400Vac, 50-60Hz, 100% Load.
Total Harmonic Distortion(THD)	-	15%	20%	220-480Vac, 50-60Hz, 70%-100% Load.
MCB(B16)	-	6	-	230Vac.

Output Specifications

Parameter	Min	Typ.	Max	Notes
Output Voltage Range	260Vdc	-	520Vdc	The full power cannot be lower than 319V.
Open Circuit Voltage	-	-	550Vdc	The open circuit protection is locked, and the AC needs to be powered on again.
Output Current Range	0.18A	-	1.88A	The Dali programmer regulates the I_{set} current.
Full Power Current Range	1.16A	-	1.88A	
Current Accuracy	-5%	-	+5%	$I_{set} > 1.16A$
Total Output Current Ripple (pk-pk)	-	5%	10%	> 15KHz BW, full load& LED load, the ripple would be tiny different under different LED load.
Total Output Current Ripple (pk-pk)	-	1.5%	2%	< 1KHz BW, full load& LED load, the ripple would be tiny different under different LED load.
Startup Overshoot Current	-	6%	10%	220~480Vac & 100% Load, load is LED.
Line Regulation	-1%	-	+1%	25°C±10°C ambient temperature, input Voltage changes from 220Vac to 480Vac.
Load Regulation	-3%	-	+3%	25°C±10°C ambient temperature, Input Voltage 230Vac, load changes from 60% to 100%.
Turn-on Delay Time	-	-	2s	230Vac, 100% load.

General Specifications

parameter	Min	Typ.	Max	Notes
Efficiency@220Vac Io=1.16A	93.0%	94.5%	-	Measured at full load and 25°C ambient temperature.
Efficiency@220Vac Io=1.88A	92.5%	94.0%	-	Measured at full load and 25°C ambient temperature.
Efficiency@400Vac Io=1.16A	94.0%	95.5%	-	Measured at full load and 25°C ambient temperature.
Efficiency@400Vac Io=1.88A	93.5%	95.0%	-	Measured at full load and 25°C ambient temperature.
Efficiency@480Vac Io=1.16A	94.0%	95.5%	-	Measured at full load and 25°C ambient temperature.
Efficiency@480Vac Io=1.88A	93.5%	95.0%	-	Measured at full load and 25°C ambient temperature.
Mean Time Between Failure	-	200Khours	-	25°C±10°C ambient temperature, 230Vac,100% load (MIL-HDBK-217F/SR-332).
Lifetime	-	50Khours	-	Tc=75°C, 230Vac&100% load.
Operating Temperature Ta	-40°C	-	+50°C	220-480Vac&100% load.
Operating Tc for Safety Tc_s	-40°C	-	+90°C	
Operating Tc for Warranty Tc_w	-40°C	-	+75°C	7 years warranty case temperature Humidity: 10% to 80% RH No condensation.
Storage Temperature Ta	-40°C	-	+85°C	Humidity: 5% to 50% RH No condensation.
Altitude	-60m	-	4000m	
Input Under Voltage Protection	160 Vac	180 Vac	193 Vac	
External NTC (R1)		18K ohm (Set by software)		When the R-NTC is reduced to R1, the external thermal protection is triggered and the output current gradually decreases.
External NTC (R2)		9.1K ohm (Set by software)		When the R-NTC is reduced to R2, the output current is reduced to the programmed protection current value.
External NTC (Protection Circuit)	10%I _{oset}	60%I _{oset}	100%I _{oset}	10%I _{oset} >I _{omin} (Default setting 60%).
External NTC (Protection Circuit)	I _{omin}	60%I _{oset}	100%I _{oset}	10%I _{oset} ≤I _{omin} (Default setting 60%).
Over Temperature Protection Tc	-	93°C	-	Tc; 230Vac&100% load.
Short Circuit Protection	-	-	-	Self-recovery after 30 seconds.
Dimensions (L*W*H)	335*143.5*58.6mm			
Net Weight	3100±50g/PCS			
Package	544*365*195mm; 4PCS/Ctn			

Dimming

Parameter	Min	Typ.	Max	Notes
DALI-2 (High Voltage Level)	9.5V	16V	22.5V	
DALI-2 (Lower Voltage Level)	0V	-	6.5V	
DALI-2 (Dimming Output Range)	10% I _{max}		100% I _{max}	I _{max} =1.88A.
DALI-2 (Sink Current)	0mA		2.0mA	
Output lumen compensation	-	-	-	Constant lumen output function.
Lifetime warning	-	-	-	When the power supply reaches the set lifetime (example 50000H), the power supply is restarted, the output current remains constant 10%Io in 1mins, Or output flashing warning to indicate that the power supply needs to be replaced.

Safety Specification

Dielectric Strength (Input-Output)	-	4372Vac	-	60s, Current not exceeding 5mA.
Dielectric Strength (Input-Ground)	-	1830Vac	-	60s, Current not exceeding 5mA.
Dielectric Strength (Output-Ground)	-	2100Vac	-	60s, Current not exceeding 5mA.
Dielectric Strength (Input-Dimming)	-	1600Vac	-	60s, Current not exceeding 5mA.
Dielectric Strength (Dimming-Ground)	-	500Vac	-	60s, Current not exceeding 5mA.
Grounding Resistance	-	-	0.1Ω	25°C±10°C Ambient Temperature, pass 25A Current, 60s.
Insulation Resistance	10MΩ	-	-	Input-Output, Input-PE, Output-PE, 500Vdc/60s/25°C.

Safety Compliance

Safety Category	Standards	Approved	Notes
CCC	GB19510.1,GB19510.14	√	
CE	EN61347-1, EN61347-2-13, EN62493	√	
ENEC	EN61347-1, EN61347-2-13, EN62384	√	
CB	IEC61347-1, IEC61347-2-13	√	
BIS	IS 15885(PART 2/SEC 13)		
UL	UL 8750		
CUL	CSA C22.2 No.250.13	√	
KC	K61347-1, K61347-2-13		
PSE	J61347-1, J61347-2-13		
SAA	AS/NZS IEC 61347.2.13		
SAA	AS/NZS 61347.1		

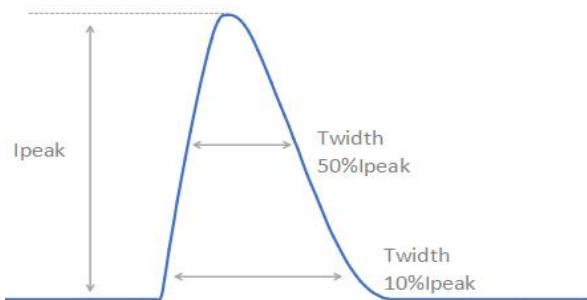
EMC Compliance

EMC Category	Standards	Approved	Notes
CCC	GB/T 17743, GB 17625.1	√	
CE	EN 55015	√	
CE	EN 61000-3-2, EN 61000-3-3	√	
CE	EN61000-4-2,3,4,5,6,11	√	
CE	EN 61547	√	
KC	K61547		
KC	K00015		
PSE	J55015		
FCC	FCC part 15		
Surge Shock Immunity	ANSI/C82.77-5-2017		
Ringing Wave			

RoHS

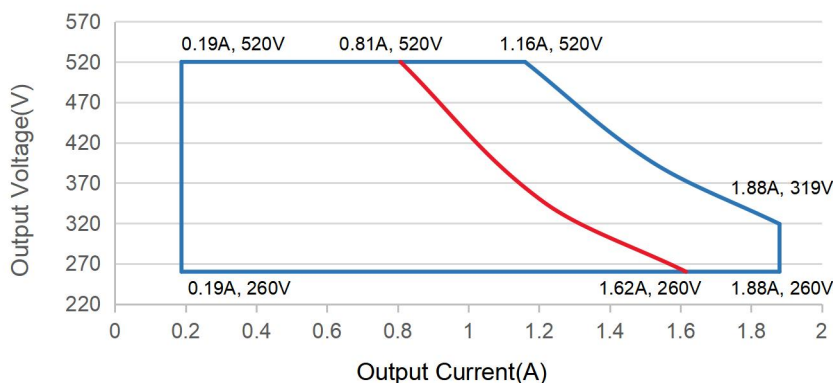
Our products comply with RoHS Directive (EU) 2015/863 amending Annex II to Directive 2011/65/EU.

Inrush Current



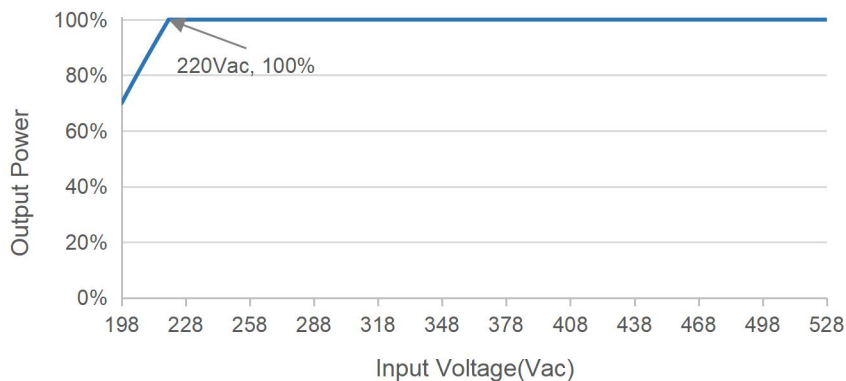
Vin	Ipeak	T(@10% of Ipeak)	T(@50% of Ipeak)
220Vac	12.7A	2.44ms	1.030ms
400Vac	24.6A	2.50ms	1.120ms
480Vac	27.6A	2.50ms	1.120ms

Output Voltage vs. Output Current

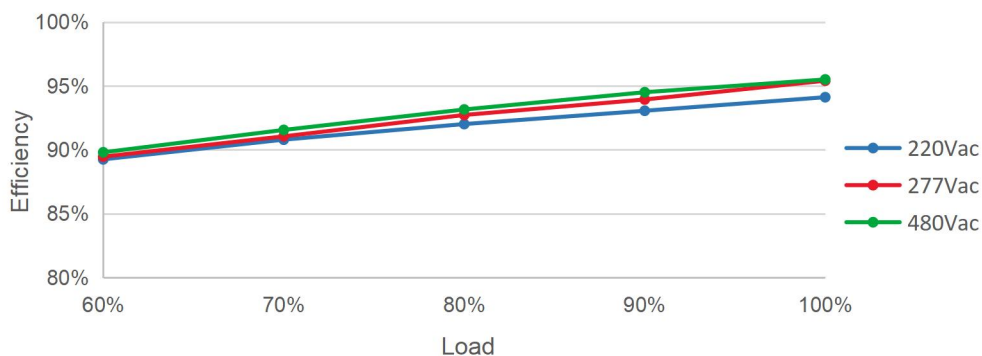


Red curve: good performance area.

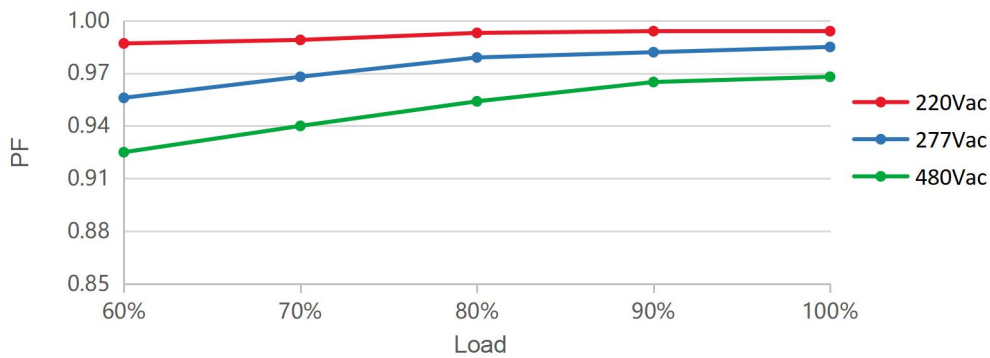
Output Power vs. Input Voltage



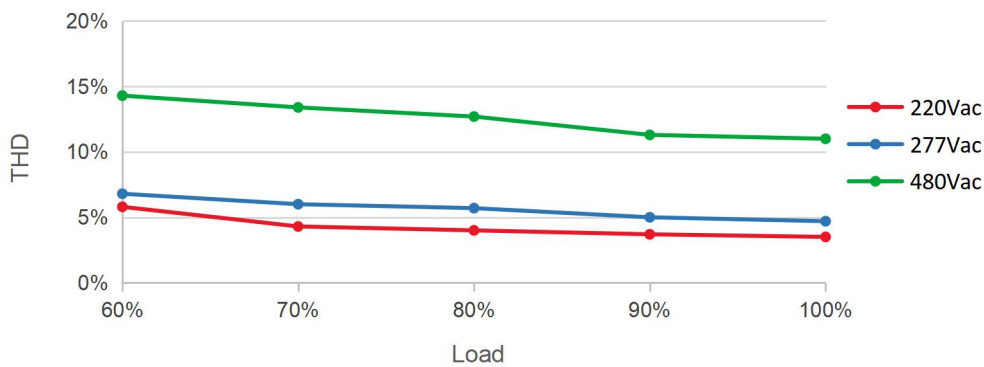
Efficiency vs. Load



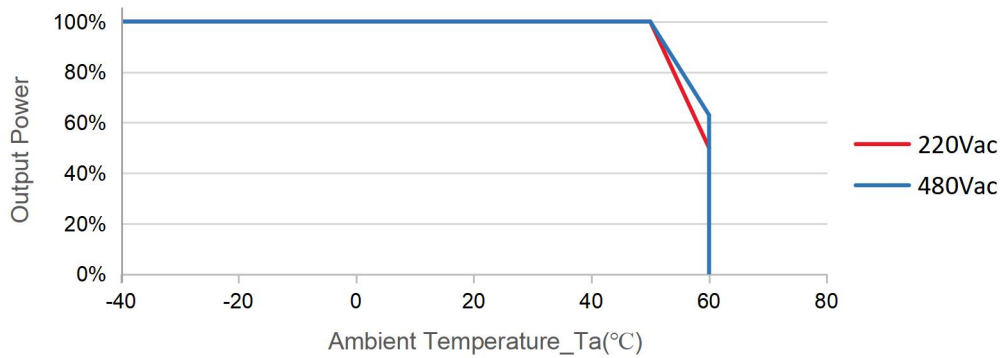
PF vs. Load



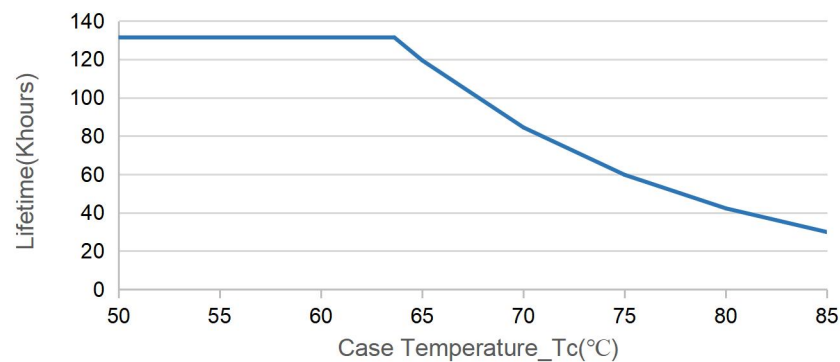
THD vs. Load



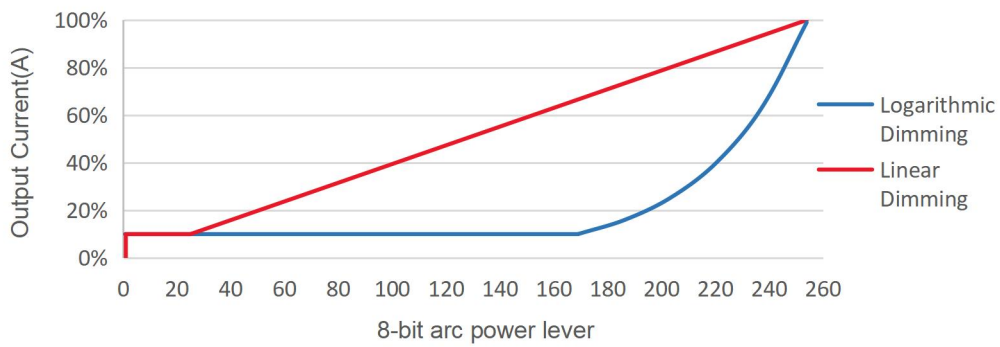
Output Power vs. Ambient Temperature



Lifetime vs. Case Temperature



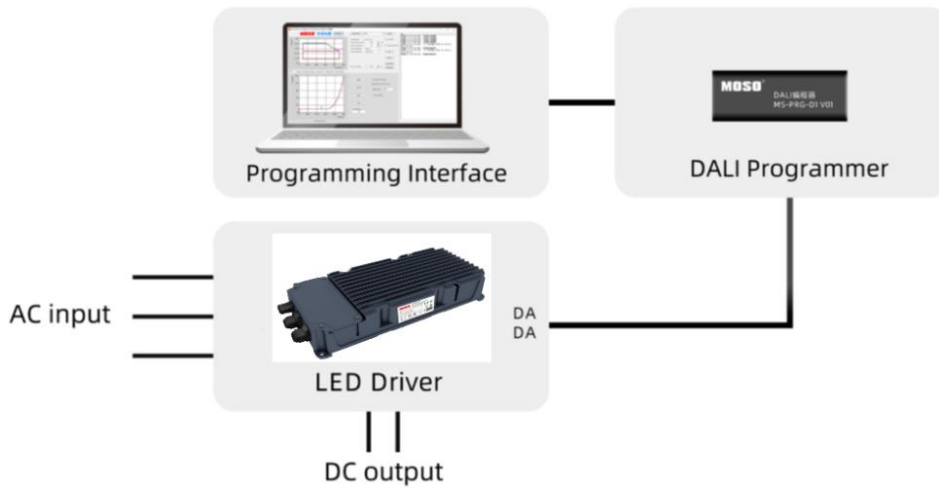
DALI-2 Dimming



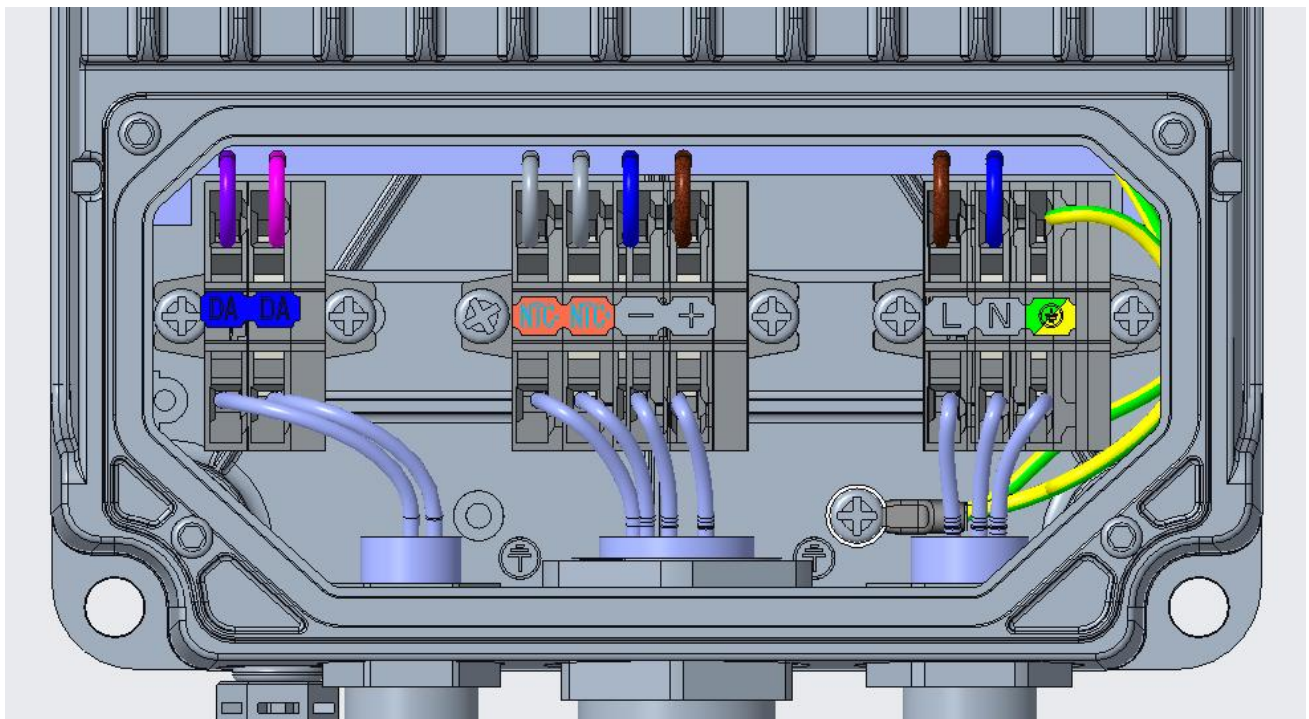
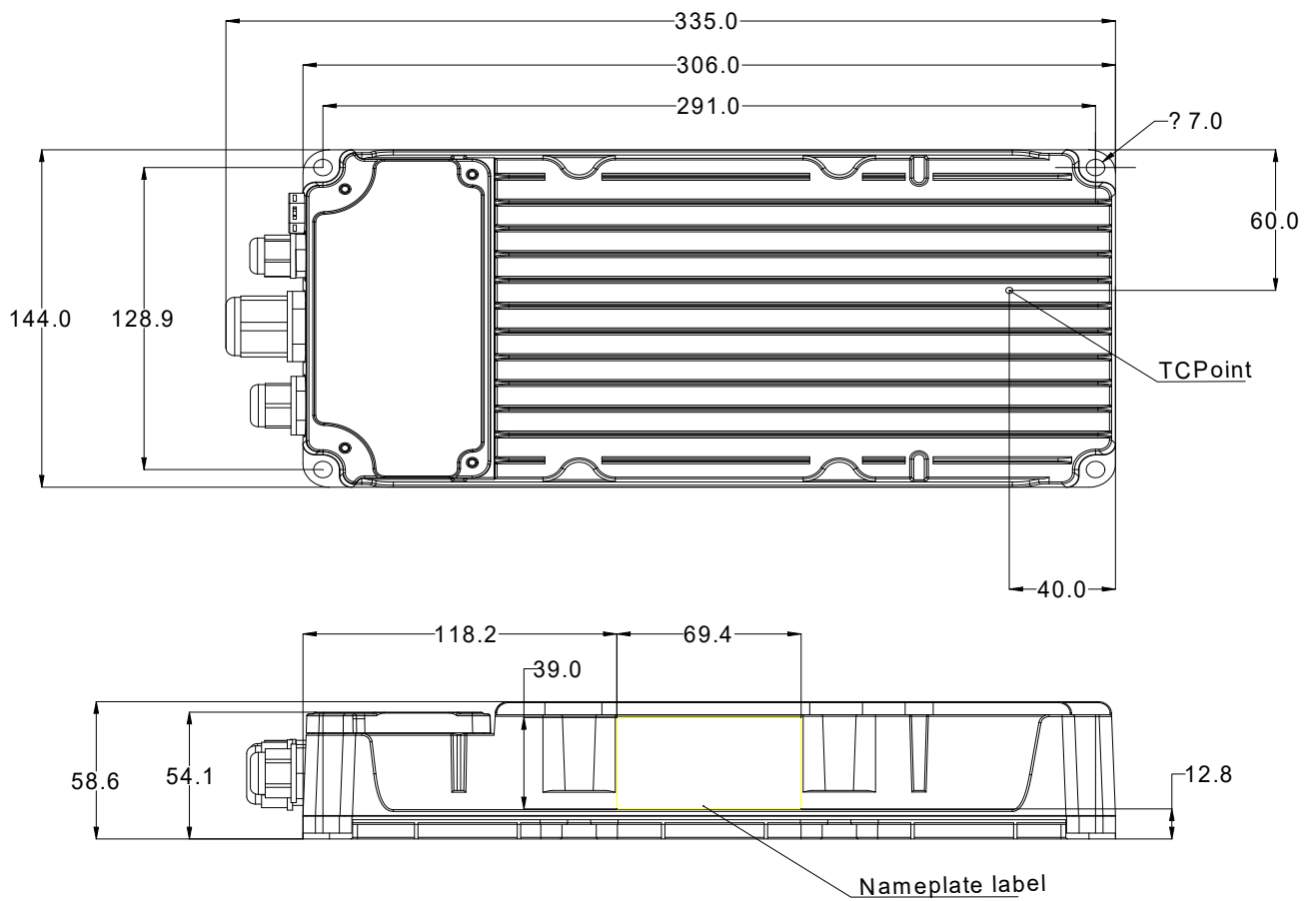
Note: Factory Default Output Logarithmic Curve.

Programming Link (DALI-2)

Programming mode



Mechanical Outline



Connections

Wire	Recommended wire Specification	Note
Input (L,N,G)	H07RN-F, Minimum wire diameter 3*1.0mm ² , The maximum wire diameter 3*2.5 mm ²	
Output, NTC	H07RN-F, Minimum wire diameter 4*1.0mm ² , The maximum wire diameter 4*2.5 mm ²	
Dimming(Dali)	H05VV-F, Minimum wire diameter 2*1.0mm ² , The maximum wire diameter 2*2.5 mm ²	

Terminal	Recommended wire Specification	Note
Input	PG13.5, the torsion 1.3-1.6N.m Minimum wire diameter 6mm, The maximum wire diameter 11mm	
Input	PG13.5, the torsion 1.3-1.6N.m Minimum wire diameter 8mm, The maximum wire diameter 12mm	
Output, NTC	PG19, the torsion 2.2-2.5N.m Minimum wire diameter 12mm, The maximum wire diameter 15mm	
Dimming(Dali)	PG9, the torsion 1.2-1.4N.m Minimum wire diameter 4.5mm, The maximum wire diameter 8mm	

Label



NOTE:

The output voltage range on the label is 260-520V, and the current range is 0.19-1.88A, which refers to the dimming range.

Shipping Barcode Label Standard

2	2	1	2	1	2	1	0	5	7	0	1	A	1	0	0	0	1
Year	month	day	Part of production order number				Engineering level	REVISION RR	Production line number			Progressive Serial number					

Version

A.1	First release	2023-07-06
B.3	ECL202310004	2023-12-05
C.2	ECL202403048	2024-03-21

Specification for Approval

Product Name: 600W Stadium Intelligent LED Driver

Product Model: S6-600D520

Rev: C.2

Address: XiLiSongbai Road 1061, Nanshan District, Shenzhen City, Guangdong, China

Tel: 0755-27657000

FAX: 755-27657908

E-mail: info@mosopower.com

Web Site: <http://www.mosopower.com>

Prepared By	Checked By	Approved By

Specification for Approval

Product Name: 600W Stadium Intelligent LED Driver

Product Model: S6-600D520

Rev: C.2

CUSTOMER AUTHORIZED SIGNATURE		
Tested By	Checked By	Approved By
(Company seal)Return one copy to MOSO with approved signature and company seal.		

Address:XiLiSongbai Road 1061, Nanshan District, Shenzhen City, Guangdong, China

Tel: 0755-27657000

FAX: 755-27657908

E-mail:info@mosopower.com

Web Site:http://www.mosopower.com

Prepared By	Checked By	Approved By