



Constant Current Driver

Model: RC8W200
RC10W250
RC12W300



Model	Input Current	Input Power	Output Power Range	PF	Efficiency	Output Current	Output Voltage	No load Voltage
RC8W200	0.06A	11.5W	4.8-8W	0.90	78%	200mA	24-40V	59V
RC10W250	0.07A	13.5W	6-10W	0.90	79%	250mA		
RC12W300	0.08A	16W	7.2-12W	0.92	80%	300mA		

* Test result @230V, 50Hz, Full Load.

1. Parameters

category	Item	Technical Norm
Features	Output Type	Constant Current
	Output Features	Isolation
	IP Grade	IP20
	Insulation Class	Class II
Input	Rated Input Voltage	220-240VAC
	Range of Input Voltage	198-264VAC
	Frequency	50/60Hz
	Input Current	≤0.08A
	Input Power	≤16W
	Power Factor	≥0.9 (230VAC, full load)
	THD	≤20%(230VAC, full load)
	No-load Power Consumption	≤0.5W
Output	Current Accuracy	±5%
	Max. Output Power	12W
	Started Delay Time	≤0.5S (230VAC, full load)
	LF Current Ripple (< 120 Hz)	±5% (Imax-Imin) / (Imax+Imin)
	PstLM	≤1
	SVM	≤0.4
Protection	Short Circuit Protection	Auto Recovery (Power off and restart)
	Overload Protection	Auto Recovery
	No-load Protection	Auto Recovery
	over-temperature protection	Auto Recovery
	Insulation voltage	I/P to O/P, 3KVac/1min
	Insulation resistance	>100M ohm @ 500VDC

	Leakage current	< 250 μ A, I/P to O/P
Environment	Ta/Operation Temperature	-20.....+60 $^{\circ}$ C
	Ts/Storage Temperature	-30.....+85 $^{\circ}$ C
	Tc/Enclosure Temperature	90 $^{\circ}$ C
	Humidity	10%.....90%RH
	Atmospheric pressure	86-108KPa
Construction	Connection Method	Push-in Terminal
	Installation	Build-in
	PRI Wire preparation	0.5-1.5 \square
	SEC Wire preparation	0.5-1.5 \square
	Dimension	Φ 42*22mm (R*H)
Standards	Certification	CE CCC TUV EAC SAA
	Safety Standards	EN61347-1:2015,EN61347-2-13:2014/A1:2017, AS 61347.2.13:2018,AS/NZS 61347.1:2016 Inc A1
	EMC Standards	EN IEC 55015:2019EN, IEC 55015:2019/A11:2019 ,EN IEC 61000-3-2:2019,EN 61000-3-3:2013/A1: 2019,EN61547:200
	Performance	EN62384
	Surge	L-N/1KV
Others	RoHS	complied to 2011/65/EU
	Life Time	50000h @Ta/ Tc
	Warranty	5years , F.R. < 10000ppm
<p>Remark:</p> <p>1.All Parameters, if not specified, are measured at 230VAC/50Hz , At full load and 25$^{\circ}$C ambient temperature.</p> <p>2.LED Driver is a component of the luminaires, Luminaires and wire layout will affect the EMC, please check the EMC with end products again.</p>		

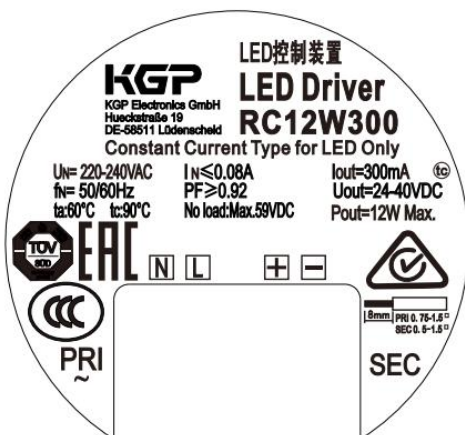
2. Connected quantities of different current Breaker

TYPE	RC8W200 Connected quantities of different current Breaker						Input Voltage	Inrush Current	Time
	current (A)	10	13	16	20	25			
	Installation wire diameter	1.5mm 2	2.5mm 2	2.5mm 2	4mm 2	4mm 2			
TYPE B	214	279	343	429	536	@230VAC	2.8	38us	
TYPE C	343	446	549	686	857				
TYPE D	549	713	878	1097	1371				

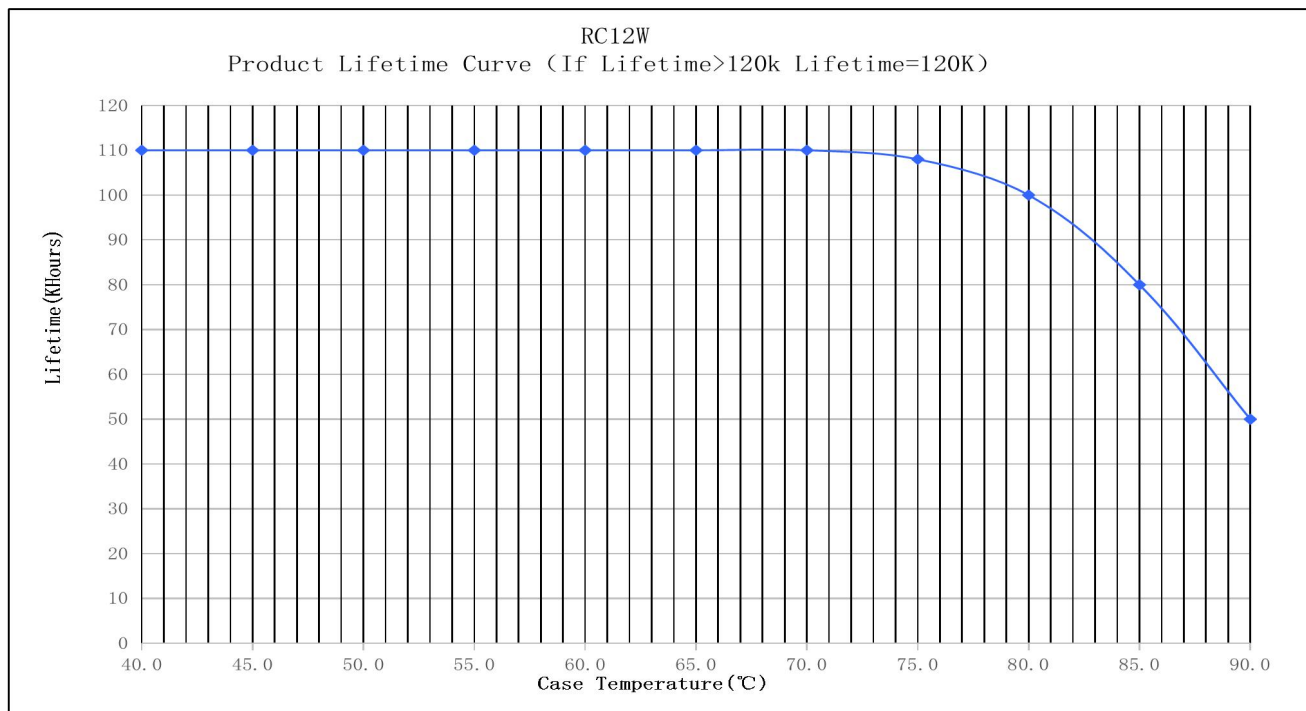
TYPE	RC10W250 Connected quantities of different current Breaker						Input Voltage	Inrush Current	Time
	current (A)	10	13	16	20	25			
	Installation wire diameter	1.5mm ²	2.5mm ²	2.5mm ²	4mm ²	4mm ²			
TYPE B	205	266	328	410	512	@230VAC	2.93	40.2us	
TYPE C	328	426	524	655	819				
TYPE D	524	682	839	1048	1311				

TYPE	RC12W300 Connected quantities of different current Breaker						Input Voltage	Inrush Current	Time
	current (A)	10	13	16	20	25			
	Installation wire diameter	1.5mm ²	2.5mm ²	2.5mm ²	4mm ²	4mm ²			
TYPE B	185	241	296	370	463	@230VAC	3.24	41.4us	
TYPE C	296	385	474	593	741				
TYPE D	474	616	759	948	1185				

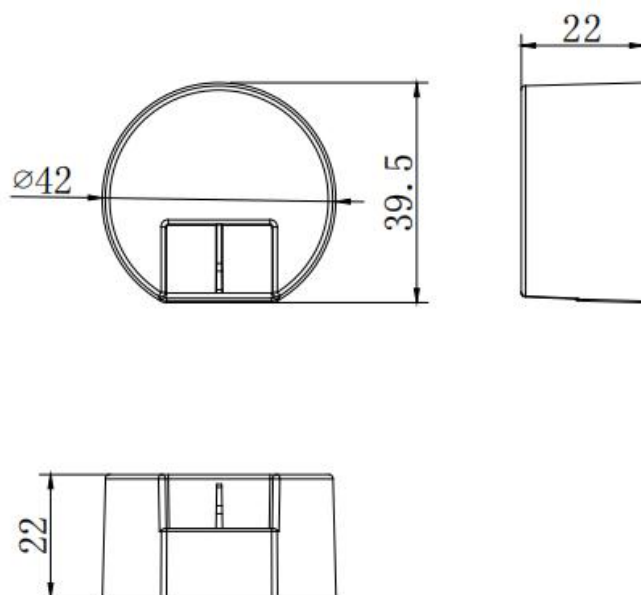
3. Label



4. Lifetime curve



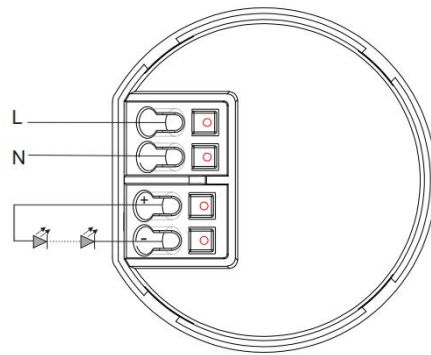
5. Dimension (Unit: mm)



6. Packing information

Carton L*W*H(mm)	Pcs/ Carton	Net weight/ Pcs(kg)	Net weight/ Carton(kg)	Gross weight/ Carton(kg)
440*300*155	225	T.B.D	T.B.D	T.B.D

7. Wiring Diagram



8. Wiring instructions

- All connections must be kept as short as possible to ensure good EMI behaviour
- Mains leads should be kept apart from LED Driver and other leads (ideally 5 – 10 cm distance)
- Advice the maximum length of output wires is 3 m
- Secondary switching is not permitted (Except for constant voltage)
- Incorrect wiring can damage LED modules.
- The wiring must be protected against short circuits to earth (sharp edged metals parts, metal cable clips, louver, etc.)

9. REVISION HISTORY

DATE	VER	REMARK
2023-11-22	V1.0	Initial release.