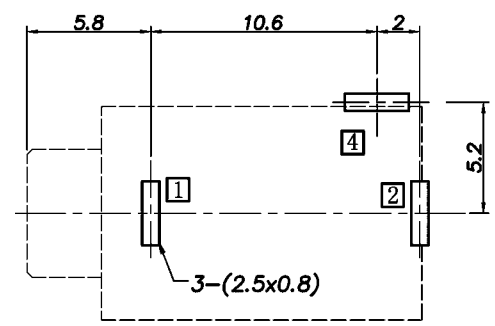
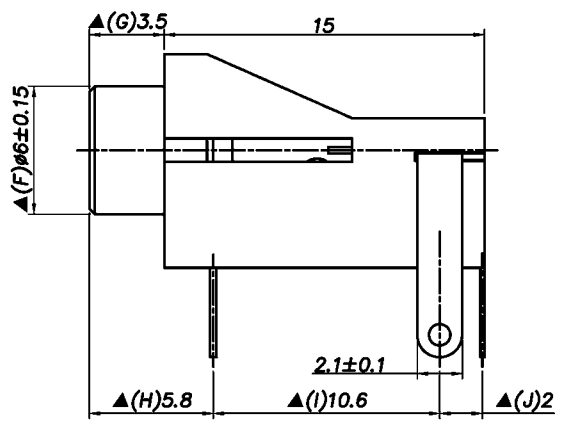
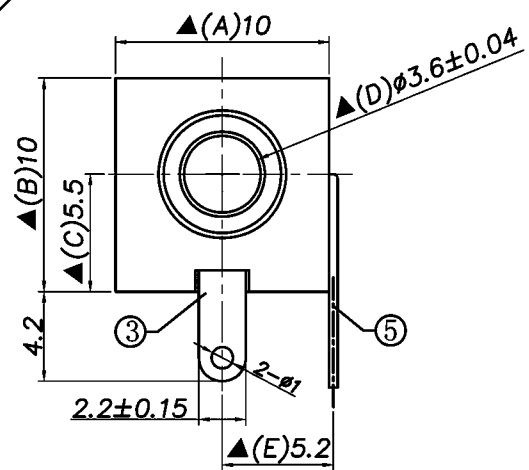
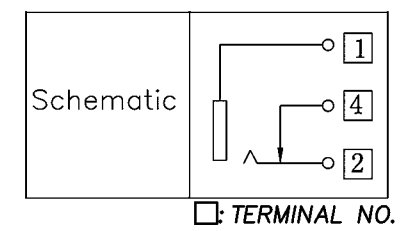
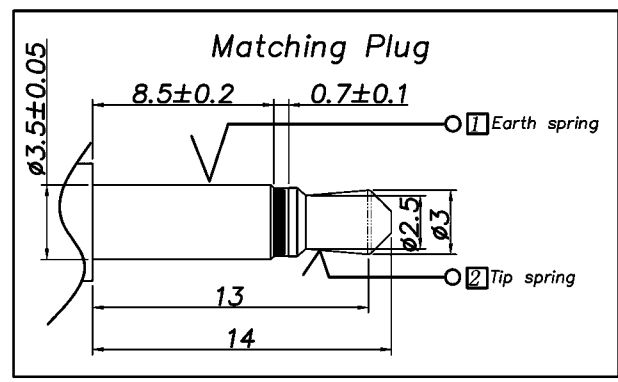
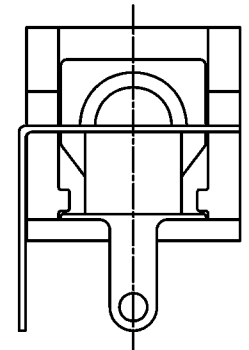


RoHS
Compliant
Drawing For
Reference Only



P. C. B. Layout
(Copper-sided view)



SPECIFICATION

- Rating : DC 30V 0.5A;
- Contact resistance: $\leq 50m\Omega$;
- Insulation resistance: $\geq 100M\Omega$ (DC250V);
- Withstand voltage: 500VAC ;
- Insertion and extraction force: 3-30N;
- life test: 5,000 cycles.
- Sign"▲ "is importance dimension

Technical requirement :

- This product should meet EU RoHS related requirement.
- The surface of plastic part should be without any crackle such as burr,lack,and so on phenomenon.
- The surface of metal part should be without any defect such as scaur,nick,oxidation and plating problem.
- The electronic performance should be the same as spec.
- The un-specified tolerance is : $< -6 \pm 0.1$
6~20 ± 0.2
 $> 20 \pm 0.3$

⑤	Shunt terminal	④	1	Brass	Sn-Plating
④	Tip spring	②	1	Manganese steel(65Mn)	Sn-Plating
③	Earth spring	①	1	Brass	Sn-Plating
②	Bushing		1	Brass	Ni/Au/Cu-Sn-Plating
①	Housing		1	PA66+13%GF	Black
NO.	DESCRIPTION	QTY	MATERIAL	PLATING	

DCI DRAGON CITY INDUSTRIES LIMITED

Item Name	3.5MM PHONE JACK	Tolerance :
Item No.	PY-601N(NB)	Unit : mm

Design	K.W Law	Remark	Scale
Drawing	W.K Yeung	Remark	Material
Check	K.L Wong	Remark	Drawing No. A20511-1435
Approval	K.W Chan	Remark	Sheet