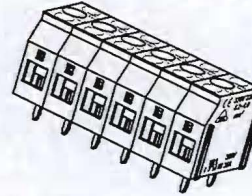
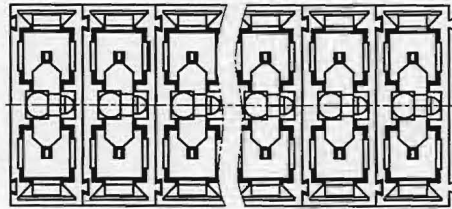
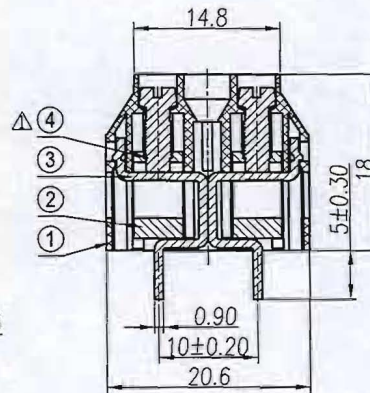
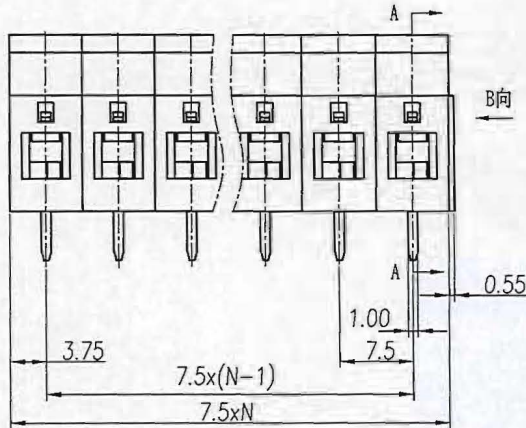


REVISION RECORD				
REV	ECN	DESCRIPTION	DRFT	DATE
△	10-004	螺丝由S000001100变更为S000002530	HD	03/13/10
△	10-0168	增加UL认证刻字	Jinxi.Luo	06/05/10
△	10-0122	耐压值由2000V/Min更改为4000V/Min	Lasting	05/25/11



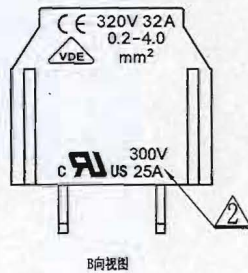
Notes:

1. Pitch: 7.5mm, Poles: 1-XXP
2. Rated voltage/current: UL 300V/25A  
VDE 320V/32A
3. Operation temperatures: -40°C ~ +105°C
4. Withstanding Voltage: AC4000V/1Min △
5. Insulation Resistance: 5000MΩ / DC1000V
6. Wire Range: 24~10AWG, 0.2~4.0mm<sup>2</sup>
7. Max. Torque Value: M3, 5.10Kgf.cm
8. Undimensioned Tolerances:

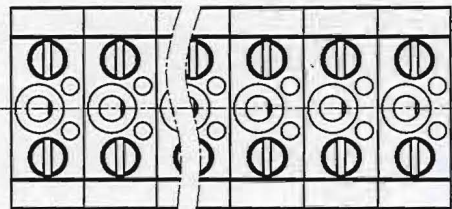


剖面A-A

Pitch range in mm		Nominal dimension range in mm					
to	over	to	over	to	over	to	
6	10	6	10	30	60	100	150
±0.10	±0.15	±0.25	±0.2	±0.3	±0.5	±0.7	±1.0
							0.05/10



B向视图



4	TSCB-4-SCREW	△	S000002530 (H)	XY*2	Brass	Ni Plated
3	PS 4-7.5-Pin header		4122B00010 (H)	XX	Copper	Snce plated
2	PCDK 4-Brass Cage		X000001840 (H)	XY*2	Brass	Ni Plated
1	PS 4-7.5-Housing		4122A0Y01A (H)	XX	PA66	UL94V-0
ITEM	NAME OF PART		NO. OF PART	Q'TY	MATERIAL	NOTES

DFTD TO: 06/02/08 CHKD: [Signature] DATE: 2013.11.29 MFD: [Signature] DATE: [Signature] APPVL: [Signature] DATE: 2013.11.29	宁波高正电子有限公司 DEGSON <sup>®</sup> DEGSON ELECTRONICS CO., LTD
TOLERANCES EXCEPT AS NOTED: MM: ± .00: ± .000: ±	NAME: PS4-7.5-XXP-1Y-00A (H)
ANGLES ± 1° FINISH: THIRD ANGLE PROJECTION	DRAWING NO. PS4-7.5-E01 /PART NO. SIZE: A3 REV: T3 05/25/11
SCALE: 1:1 DO NOT SCALE DRAWING	SHEET 1 OF 1